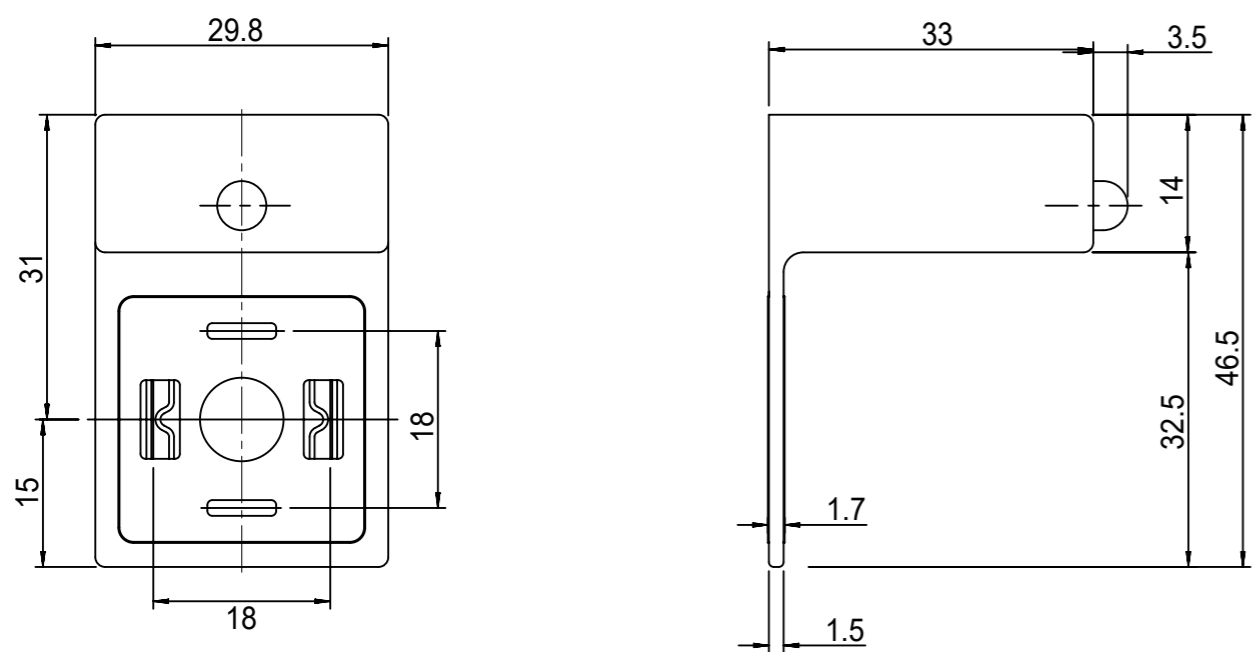
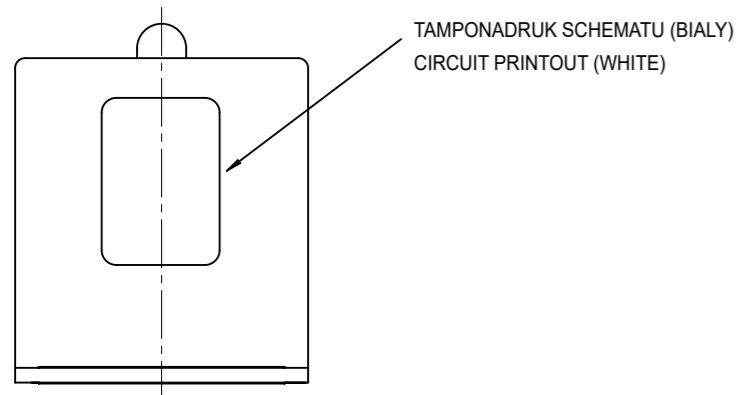


A 0 6 X X X

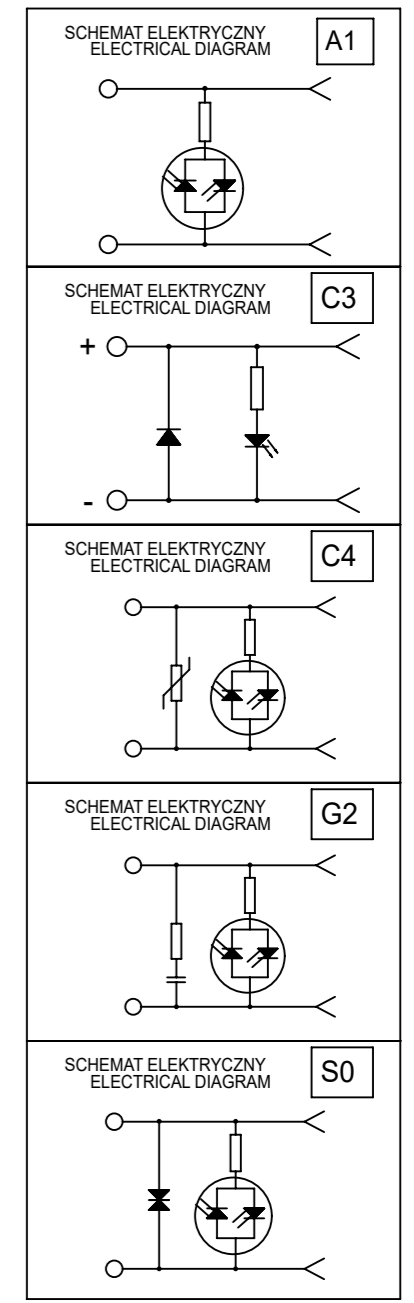
RODZAJ POLACZENIA/INTERNAL CIRCUIT
 PATRZ SCHEMATY POLACZEN/WIREING CONFIGURATION
 NAPIECIE ORAZ KOLOR DIODY/VOLTAGE AND LED COLOUR:

- | | | |
|---------|---------|---------|
| 1= 12V | A= 12V | G= 12V |
| 2= 24V | B= 24V | H= 24V |
| 3= 48V | C= 48V | K= 48V |
| 4= 115V | D= 115V | L= 115V |
| 5= 230V | E= 230V | M= 230V |
- CZERWONA DIODA
RED LED
- ZIELONA DIODA
GREEN LED
- ZOLTA DIODA
YELLOW LED



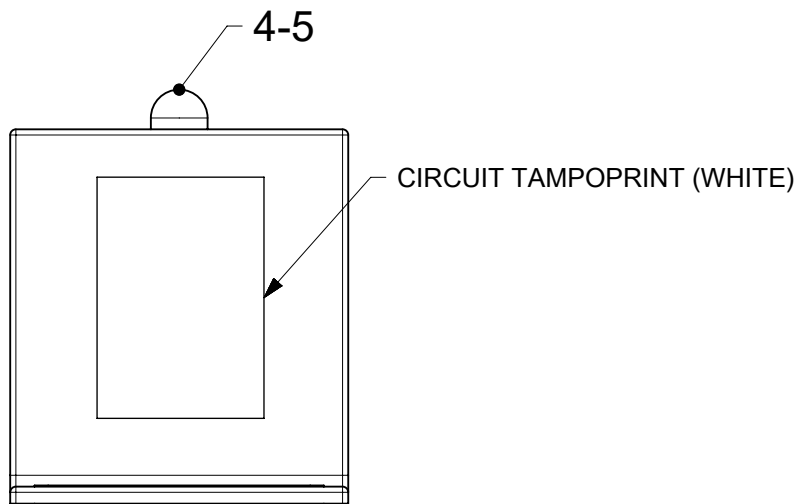
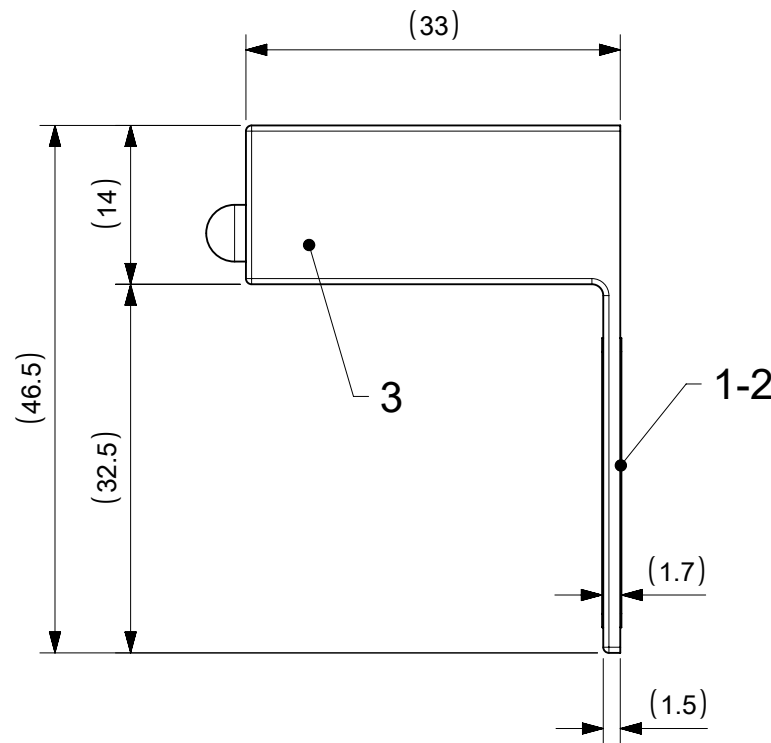
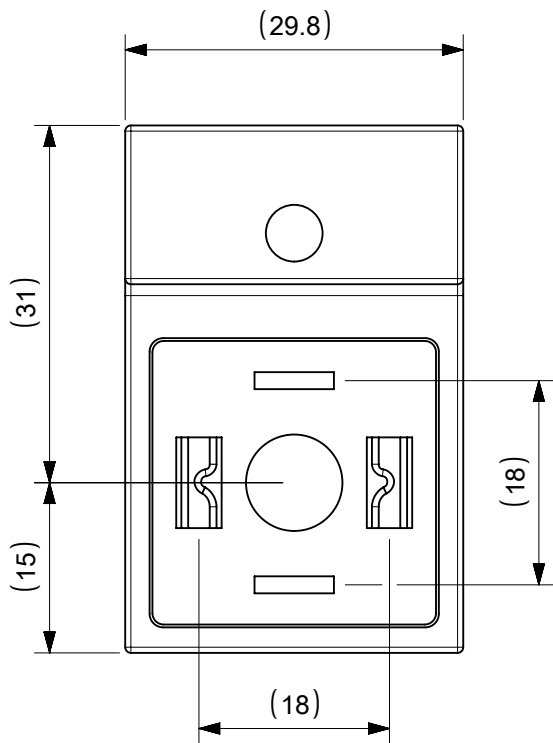
MOLEX PN	MPM PN	MOLEX PN	MPM PN
1210010190	A06A12	1210010217	A06C4E
1210010194	A06A1B	1210010219	A06C4H
1210010197	A06A1H	1210010220	A06C4L
1210010202	A06C32	1210010221	A06C4M
1210010206	A06C3B	1210010223	A06G22
1210010207	A06C3H	1210010226	A06G25
1210010210	A06C42	1210010231	A06G2H
1210010212	A06C44	1210010233	A06G2L
1210010213	A06C45	1210010234	A06G2M
1210010214	A06C4B	1210010236	A06S02
		1210010240	A06S0H

SCHEMATY POLACZEN
/WIREING CONFIGURATION

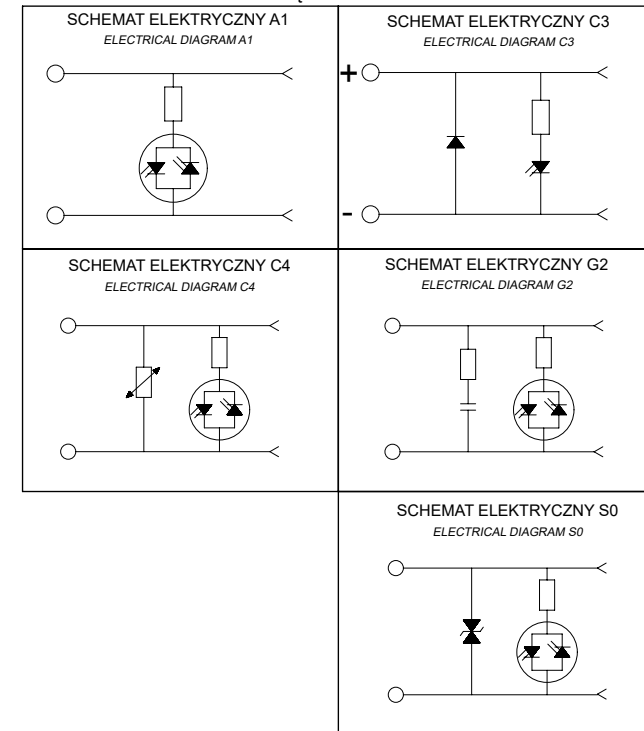


THIS DRAWING CONTAINS INFORMATION THAT IS PROPRIETARY TO MOLEX ELECTRONIC TECHNOLOGIES, LLC AND SHOULD NOT BE USED WITHOUT WRITTEN PERMISSION

DIMENSION UNITS	SCALE	CURRENT REV DESC: REMOVED OBSOLETE PART NUMBERS AS PER PCN#511691.		molex	
MM	NTS				
GENERAL TOLERANCES (UNLESS SPECIFIED)				MPM A06 ADAPTORS	
	MM	INCH		PRODUCT CUSTOMER DRAWING	
4 PLACES	±	±			
3 PLACES	±	±			
2 PLACES	±	±			
1 PLACE	±	±			
0 PLACES	±	±			
ANGULAR TOL	±	°			
DRAFT WHERE APPLICABLE MUST REMAIN WITHIN DIMENSIONS		THIRD ANGLE PROJECTION	DRAWING	SERIES	MATERIAL NUMBER
			A3-SIZE	121001	SEE TABLE
					CUSTOMER
					GENERAL MARKET
					SHEET NUMBER
					1 OF 1



SCHEMATY POŁĄCZEŃ/ WIRING CONFIGURATION



THIS DRAWING CONTAINS INFORMATION THAT IS PROPRIETARY TO MOLEX ELECTRONIC TECHNOLOGIES, LLC AND SHOULD NOT BE USED WITHOUT WRITTEN PERMISSION

DIMENSION UNITS	SCALE	CURRENT REV DESC: REMOVED OBSOLETE PART NUMBER AS PER PCN#511691.	
mm	1:1		
GENERAL TOLERANCES (UNLESS SPECIFIED)			
ANGULAR TOL	±	°	
4 PLACES	±	EC NO: 737858	
3 PLACES	±	DRWN: SANTHN 2023/02/10	
2 PLACES	±	CHK'D: GGA 2023/02/24	
1 PLACE	±	APPR: GGA 2023/02/24	
0 PLACES	±	INITIAL REVISION:	
		DRWN: JMARSZALEK 2013/02/11	
		APPR: MIWASIECZKO 2013/02/12	

molex

LIGHTS ADAPTORS
SERIES A06XXX FOR DIN A

PRODUCT CUSTOMER DRAWING

DOCUMENT NUMBER	DOC TYPE	DOC PART	REVISION
SD-121001-006	PSD	001	A2

DRAFT WHERE APPLICABLE MUST REMAIN WITHIN DIMENSIONS	THIRD ANGLE PROJECTION	DRAWING	SERIES	MATERIAL NUMBER	CUSTOMER	SHEET NUMBER
		A4-SIZE	121001	SEE PART LIST	GENERAL MARKET	1 OF 2

DOCUMENT STATUS	P1	RELEASE DATE	2023/02/24	09:13:39
-----------------	----	--------------	------------	----------

PART LIST

MOLEX PN	ENG. NO	CIRCUIT TYPE	LED COLOR
1210010190	A06A12	A1 24V	RED
1210010194	A06A1B	A1 24V	GREEN
1210010197	A06A1H	A1 24V	YELLOW
1210010202	A06C32	C3 24V	RED
1210010206	A06C3B	C3 24V	GREEN
1210010207	A06C3H	C3 24V	YELLOW
1210010210	A06C42	C4 24V	RED
1210010212	A06C44	C4 115V	RED
1210010213	A06C45	C4 230V	RED
1210010214	A06C4B	C4 24V	GREEN
1210010217	A06C4E	C4 230V	GREEN
1210010219	A06C4H	C4 24V	YELLOW
1210010220	A06C4L	C4 115V	YELLOW
1210010221	A06C4M	C4 230V	YELLOW
1210010223	A06G22	G2 24V	RED
1210010226	A06G25	G2 230V	RED
1210010231	A06G2H	G2 24V	YELLOW
1210010233	A06G2L	G2 115V	YELLOW
1210010234	A06G2M	G2 230V	YELLOW
1210010236	A06S02	S0 24V	RED
1210010240	A06S0H	S0 24V	YELLOW
1210010437	A06A1E	A1 230V	GREEN
1210010500	A06S0K	S0 48V	YELLOW

PART No MATRIX



INTERNAL CIRCUIT

VOLTAGE AND LED COLOR

1= 12V	RED LED	A= 12V	GREEN LED	G= 12V	YELLOW LED
2= 24V		B= 24V		H= 24V	
3= 48V		C= 48V		K= 48V	
4= 115V		D= 115V		L= 115V	
5= 230V		E= 230V		M= 230V	

5	1	DISTANZIALE LED	-	-
4	1	PCB WITH COMPONENT	-	SEE PART LIST
3	1	CORPO STAMPATO	-	BLACK
2	-	EPOXY ER2188K5K	-	BLACK
1	-	EPOXY ER2188B	-	BLACK
ITEM	QTY	DESCRIPTION	MATERIAL	FINISH/COLOR

THIS DRAWING CONTAINS INFORMATION THAT IS PROPRIETARY TO MOLEX ELECTRONIC TECHNOLOGIES, LLC AND SHOULD NOT BE USED WITHOUT WRITTEN PERMISSION

DIMENSION UNITS mm	SCALE 1:1	CURRENT REV DESC: REMOVED OBSOLETE PART NUMBER AS PER PCN#511691.		
GENERAL TOLERANCES (UNLESS SPECIFIED)		<p>LIGHTS ADAPTORS SERIES A06XXX FOR DIN A</p> <p>PRODUCT CUSTOMER DRAWING</p>		
ANGULAR TOL	± °			
4 PLACES	±			
3 PLACES	±			
2 PLACES	±			
1 PLACE	±			
0 PLACES	±	EC NO: 737858	2023/02/10	
		DRWN: SANTHN	2023/02/24	
		CHK'D: GGA	2023/02/24	
		APPR: GGA	2023/02/24	
		INITIAL REVISION:		DOCUMENT NUMBER
		DRWN: JMARSZALEK	2013/02/11	SD-121001-006
		APPR: MIWASIECZKO	2013/02/12	PSD 001 A2
DRAFT WHERE APPLICABLE MUST REMAIN WITHIN DIMENSIONS	THIRD ANGLE PROJECTION 	DRAWING A4-SIZE	SERIES 121001	MATERIAL NUMBER SEE PART LIST
		CUSTOMER GENERAL MARKET	SHEET NUMBER 2 OF 2	

DOCUMENT STATUS	P1	RELEASE DATE	2023/02/24	09:13:39
-----------------	----	--------------	------------	----------