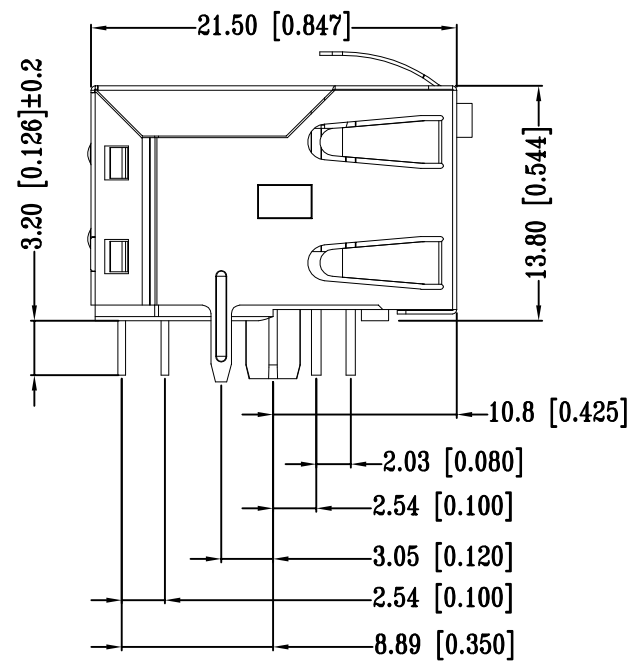
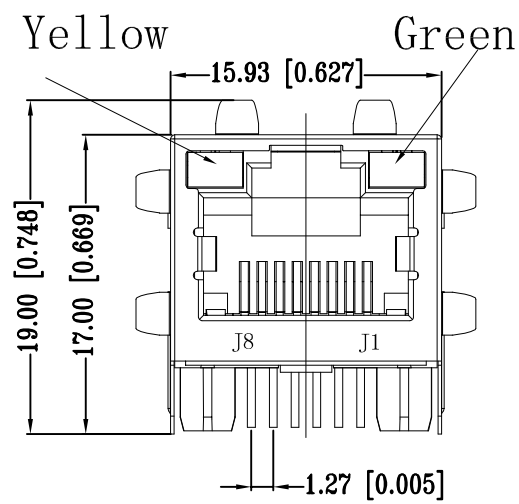
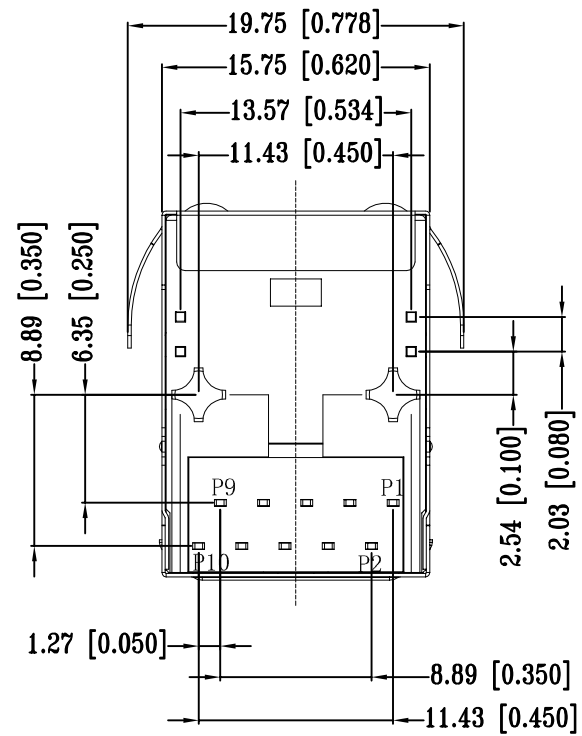
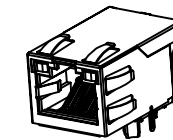


REVISIONS

| P | LTR | DESCRIPTION | DATE      | DWN | APVD |
|---|-----|-------------|-----------|-----|------|
|   | A1  | NEW RELEASE | 26MAY2017 | GCM | MSZ  |



- △ CONNECTOR MATERIAL:  
HOUSING: LCP BLACK UL94 V-0  
INSERT: LCP BLACK UL94 V-0  
SHIELD: BRASS  
SHIELD PLATING: NICKEL  
CONTACT: COPPER ALLOY  
CONTACT PLATING: SELECTIVE GOLD, MIN. 0.76 μm (30 μ inch) IN CONTACT AREA  
OVER MIN. 1.27 μm (50 μ inch) NICKEL  
SOLDER PIN PLATING: 3.05 μm (120 μ inch) TIN OVER 1.02 μm (40 μ inch) NICKEL  
OVER ALL  
SHIELDING PIN PLATING: NICKEL
- 2 PIN NOT ELECTRICALLY CONNECTED MAYBE OMITTED SEE ELECTRICAL CIRCUIT DIAGRAM FOR OMITTED PINS
- 3 RJ45 CAVITIES CONFORM TO FCC RULES AND REGULATION PART 68.
- 4 THE PART IS RECOMMENDED FOR REFLOW SOLDERING PROCESS PEAK SOLDERING: TEMPERATURE IS MAX. 260° C, MAX. 10s
- 5 OPERATING TEMPERATURE: T=-40° C TO +85° C.
- 6 STORAGE TEMPERATURE: T=-40° C TO +85° C.
- △ 7 UNLESS OTHERWISE SPECIFIED, SEE TABLE FOR ALL DIMENSIONS TOLERANCES
- 8 JACK CONFIGURATION: 1 x 1  
TAB DIRECTION: UP
- 9 PACKING: REEL (T+R) ACCORDING TO PACKING SPECIFICATION 107-18116



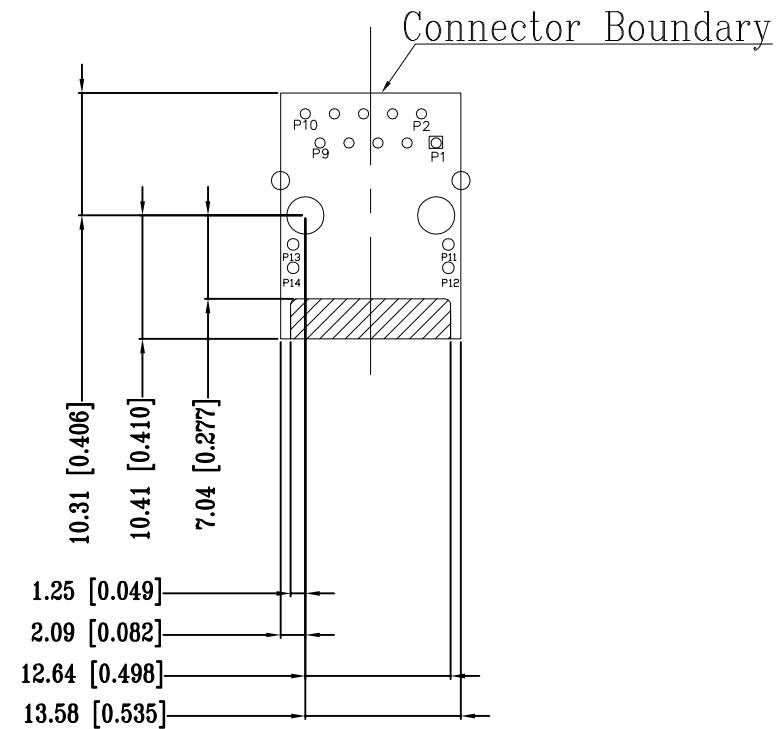
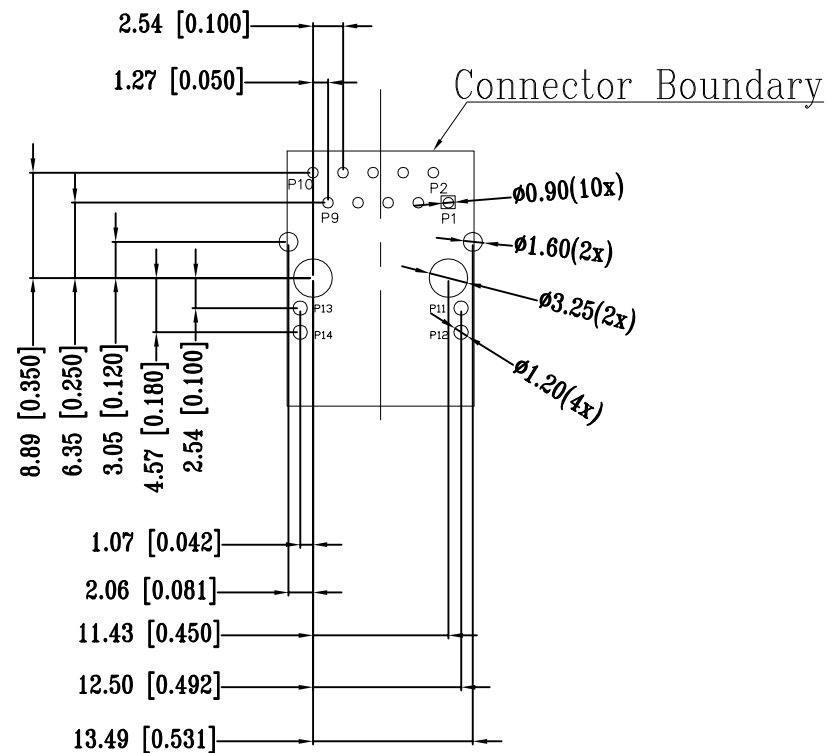
1:1

| TABLE OF TOLERANCE (mm) |           |
|-------------------------|-----------|
| RANGE                   | TOLERANCE |
| 0-10                    | ±0.15     |
| >10-40                  | ±0.25     |
| >40-70                  | ±0.30     |
| >70                     | ±0.40     |

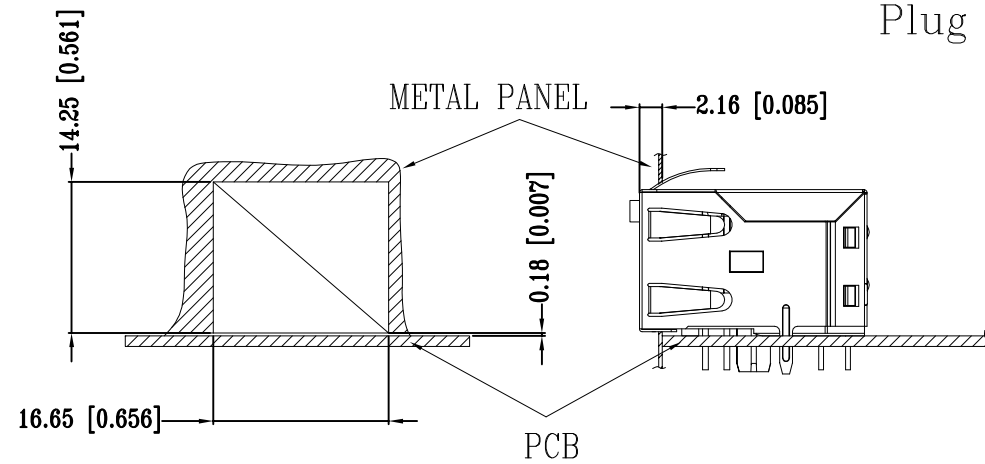
|   |  |                                    |   |                    |                             |
|---|--|------------------------------------|---|--------------------|-----------------------------|
| THIS DRAWING IS A CONTROLLED DOCUMENT.  |  | DWN<br>GANESH C M<br>27AUG2016     | TE Connectivity                             |                    |                             |
| DIMENSIONS:<br>mm [INCHES]  |  | CHK<br>FRANZ MUELLER<br>26MAY2017  |   |                    |                             |
| TOLERANCES UNLESS OTHERWISE SPECIFIED:<br>0 PLC ± -<br>1 PLC ± -<br>2 PLC ± -<br>3 PLC ± -<br>4 PLC ± -<br>ANGLES ± - |  | APVD<br>MARTIN SZELAG<br>26MAY2017 | NAME<br>RJ45 JACK INT.MAG. 1Gb LED 1x1 INV. |                    |                             |
|   |  | PRODUCT SPEC<br>108-94552          | SIZE<br>A3                                  |                    |                             |
| MATERIAL<br>1   |  | FINISH<br>1                        | APPLICATION SPEC<br>114-94447               | CAGE CODE<br>00779 | DRAWING NO<br>C=1-2301994-3 |
| CUSTOMER DRAWING  |  |                                    | WEIGHT<br>0                                 | RESTRICTED TO<br>- | SCALE<br>3:1                |
|   |  |                                    | SHEET<br>1 OF 3                             | REV<br>A1          |                             |

| REVISIONS |     |             |      |     |      |
|-----------|-----|-------------|------|-----|------|
| P         | LTR | DESCRIPTION | DATE | DWN | APVD |
| -         | -   | SEE SHEET 1 | -    | -   | -    |

### SUGGESTED PCB LAYOUT



Plug In Side

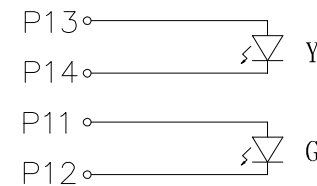
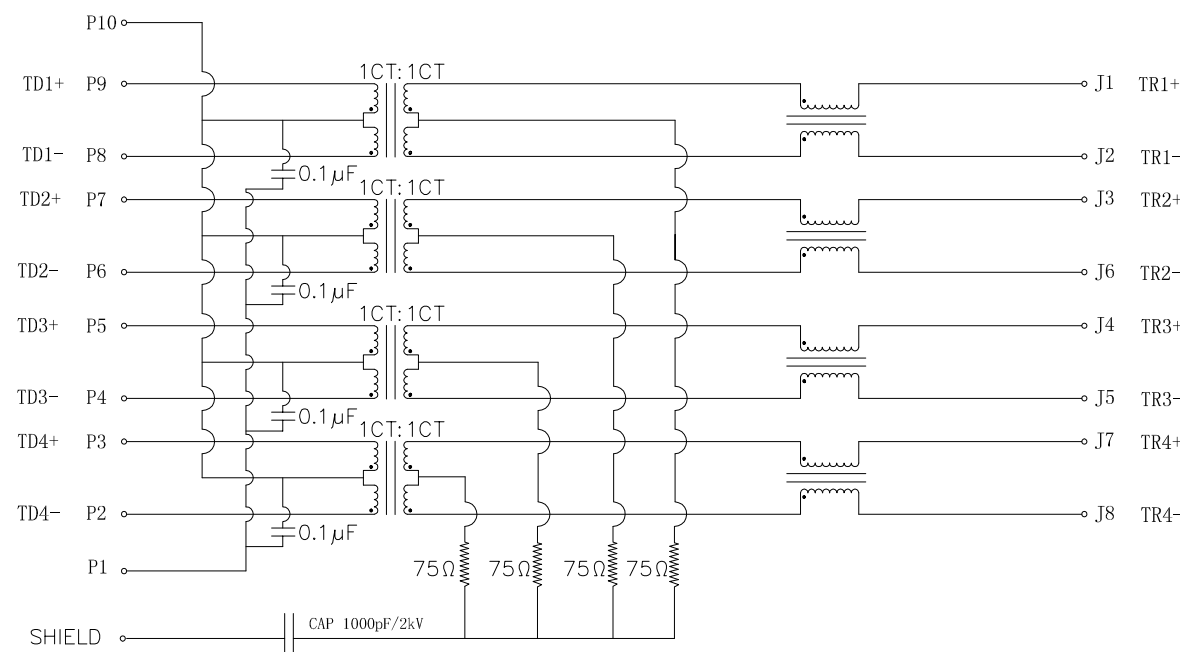


UNIT: mm / inch  
TOLERANCES:  $\pm 0.10 / 0.004$

|  |  |                                    |   |              |                    |                             |
|--|--|------------------------------------|---|--------------|--------------------|-----------------------------|
| THIS DRAWING IS A CONTROLLED DOCUMENT.   |  | DWN<br>GANESH C M<br>26MAY2017     | TE Connectivity                             |              |                    |                             |
| DIMENSIONS:<br>mm [INCHES]   |  | CHK<br>FRANZ MUELLER<br>26MAY2017  |   |              |                    |                             |
| TOLERANCES UNLESS OTHERWISE SPECIFIED:   |  | APVD<br>MARTIN SZELAG<br>26MAY2017 | NAME<br>RJ45 JACK INT.MAG. 1Gb LED 1x1 INV. |              |                    |                             |
| 7<br>0 PLC $\pm -$<br>1 PLC $\pm -$<br>2 PLC $\pm -$<br>3 PLC $\pm -$<br>4 PLC $\pm -$<br>ANGLES $\pm -$ |  | PRODUCT SPEC<br>108-94552          | RESTRICTED TO<br>-                          |              |                    |                             |
| MATERIAL<br>1  |  | FINISH<br>1                        | APPLICATION SPEC<br>114-94447               | SIZE<br>A3   | CAGE CODE<br>00779 | DRAWING NO<br>C=1-2301994-3 |
| CUSTOMER DRAWING   |  |                                    | WEIGHT<br>0                                 | SCALE<br>3:1 | SHEET<br>2 OF 3    | REV<br>A1                   |

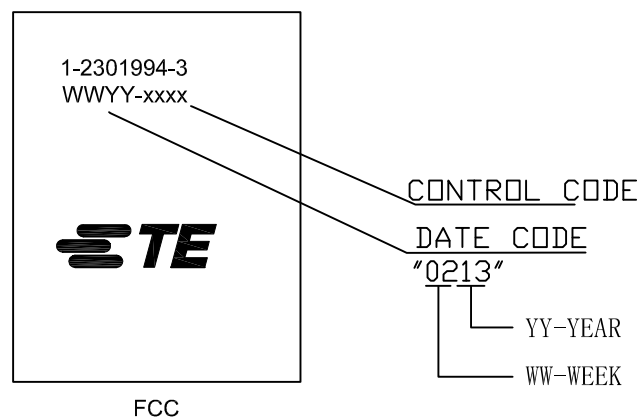
| P | LTR | DESCRIPTION | DATE | DWN | APVD |
|---|-----|-------------|------|-----|------|
| - | -   | SEE SHEET 1 | -    | -   | -    |

### ELECTRICAL CIRCUIT DIAGRAM



| Pin | Green | Yellow |   |
|-----|-------|--------|---|
| P11 | +     | P13    | + |
| P12 | -     | P14    | - |

- 1.0 Turn Ratio @100kHz: (P9~P8):(J1~J2) = 1:1±2%  
(P7~P6):(J3~J6) = 1:1±2%  
(P5~P4):(J4~J5) = 1:1±2%  
(P3~P2):(J7~J8) = 1:1±2%
- 2.0 Primary Inductance: 350μH MIN. @100kHz, 0.1V 8mA DC BIAS
- 3.0 DC Resistance: 1.2 OHMS MAX.
- 4.0 Insertion Loss: 1-100MHz -1.0dB MAX.  
100-125MHz -1.2dB MAX.
- 5.0 Return Loss: 1-40MHz -16dB MIN.  
40-60MHz -12dB MIN.  
60-80MHz -10dB MIN.  
80-100MHz -8dB MIN.
- 6.0 CROSS TALK: 1-100MHz -30dB MIN.
- 7.0 COMMON TO COMMON MODE ATTENUATION: 1-100MHz -30dB MIN.
- 8.0 Isolation: PHY Side to Line Side: 2250VDC



|   |     |                                    |   |                    |                             |     |       |     |       |     |       |     |  |        |     |  |                           |               |  |
|---|-----|------------------------------------|---|--------------------|-----------------------------|-----|-------|-----|-------|-----|-------|-----|--|--------|-----|--|---------------------------|---------------|--|
| THIS DRAWING IS A CONTROLLED DOCUMENT.  |     | DWN<br>GANESH C M<br>26MAY2017     | TE Connectivity                             |                    |                             |     |       |     |       |     |       |     |  |        |     |  |                           |               |  |
| DIMENSIONS:<br>mm [INCHES]  |     | CHK<br>FRANZ MUELLER<br>26MAY2017  |   |                    |                             |     |       |     |       |     |       |     |  |        |     |  |                           |               |  |
| TOLERANCES UNLESS OTHERWISE SPECIFIED:  |     | APVD<br>MARTIN SZELAG<br>26MAY2017 | NAME<br>RJ45 JACK INT.MAG. 1Gb LED 1x1 INV. |                    |                             |     |       |     |       |     |       |     |  |        |     |  |                           |               |  |
| <table border="0"> <tr> <td>0 PLC</td> <td>± -</td> <td rowspan="4"> </td> </tr> <tr> <td>1 PLC</td> <td>± -</td> </tr> <tr> <td>2 PLC</td> <td>± -</td> </tr> <tr> <td>3 PLC</td> <td>± -</td> </tr> <tr> <td>4 PLC</td> <td>± -</td> <td></td> </tr> <tr> <td>ANGLES</td> <td>± -</td> <td></td> </tr> </table> |     | 0 PLC                              | ± -   |                    | 1 PLC                       | ± - | 2 PLC | ± - | 3 PLC | ± - | 4 PLC | ± - |  | ANGLES | ± - |  | PRODUCT SPEC<br>108-94552 | RESTRICTED TO |  |
| 0 PLC   | ± - |                                    |   |                    |                             |     |       |     |       |     |       |     |  |        |     |  |                           |               |  |
| 1 PLC   | ± - |                                    |   |                    |                             |     |       |     |       |     |       |     |  |        |     |  |                           |               |  |
| 2 PLC   | ± - |                                    |   |                    |                             |     |       |     |       |     |       |     |  |        |     |  |                           |               |  |
| 3 PLC   | ± - |                                    |   |                    |                             |     |       |     |       |     |       |     |  |        |     |  |                           |               |  |
| 4 PLC   | ± - |                                    |   |                    |                             |     |       |     |       |     |       |     |  |        |     |  |                           |               |  |
| ANGLES  | ± - |                                    |   |                    |                             |     |       |     |       |     |       |     |  |        |     |  |                           |               |  |
| MATERIAL  |     | APPLICATION SPEC<br>114-94447      | SIZE<br>A3                                  | CAGE CODE<br>00779 | DRAWING NO<br>C=1-2301994-3 |     |       |     |       |     |       |     |  |        |     |  |                           |               |  |
| FINISH  |     | WEIGHT<br>0                        | SCALE<br>3:1                                |                    | SHEET<br>3 OF 3             |     |       |     |       |     |       |     |  |        |     |  |                           |               |  |
|   |     | CUSTOMER DRAWING                   |   | REV<br>A1          |                             |     |       |     |       |     |       |     |  |        |     |  |                           |               |  |