



# 3125 MHz Ceramic Band Pass Filter



**ANATECH ELECTRONICS INC**  
RF & Microwave Filters & Products

**Part Number: AE3125CB1802**

## Electrical Specifications

**Center Frequency(CF):** 3125 MHz  
**Bandwidth(BW):** 120 MHz  
**Insertion Loss in BW:** 2.2 dB Max.  
**Ripple in BW:** 1.0 dB Max.  
**VSWR in BW:** 1.7 :1 Max.  
**Rejection1:** 60 dB Min. @ 2925 MHz  
**Rejection2:** 50 dB Min. @ 3325 MHz  
**Power Handling:** 1 Watt  
**Input / output Impedance:** 50 Ohms

## Mechanical

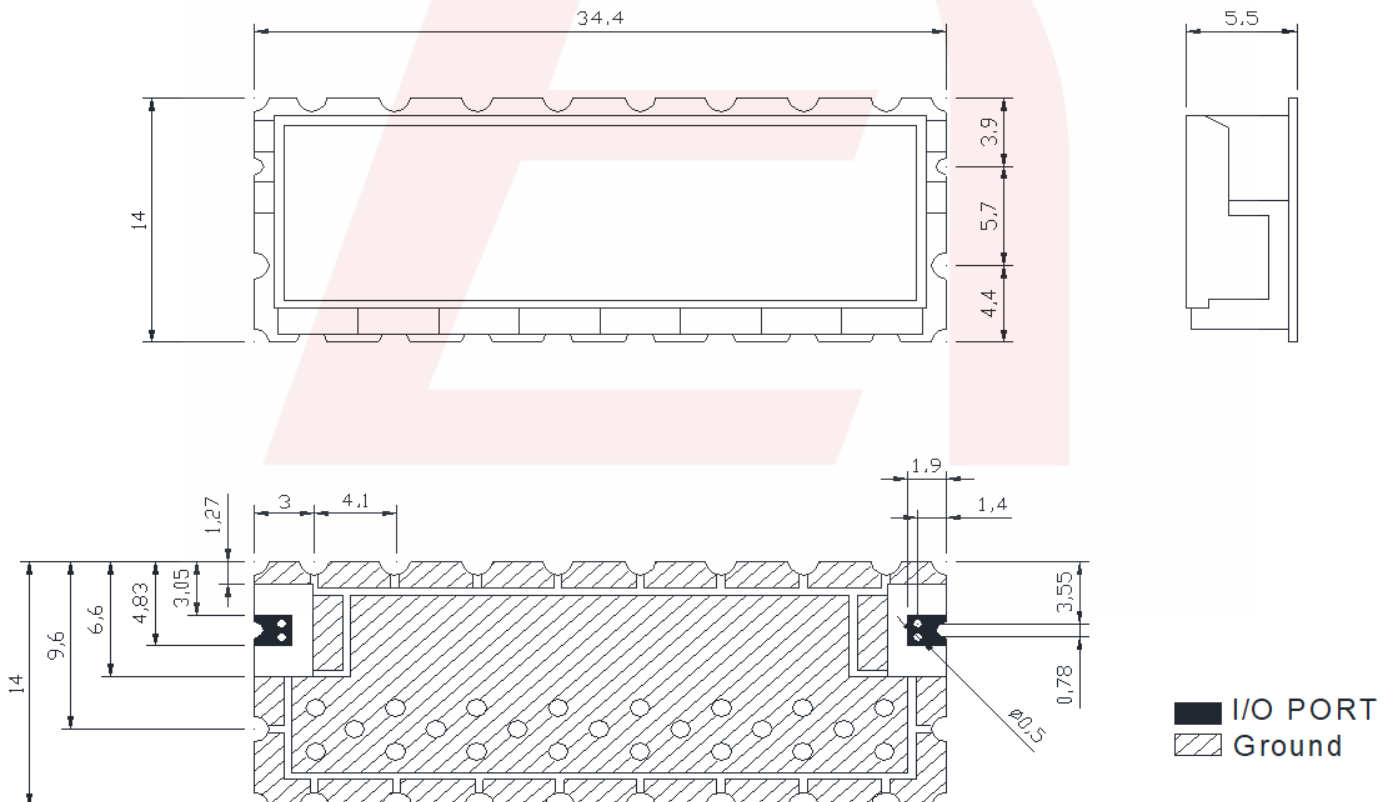
**Mounting Method:** SMT  
**Dimensions:** 34.4 x 14 x 5.5 mm

## Environmental

**Operating Temperature:** -35°C to +75°C  
**Storage Temperature:** -50°C to +90 °C  
**Shock:** 10G. 11ms  
**Vibration:** 10G 0.5 to 200 Hz

**This Product is RoHS Compliant.**

## Outline Drawing:



Tolerance: +/-0.01 inches [ +/- 0.3mm]

Angles: +/- 1 Deg.

\*Tolerance as shown unless otherwise specified in the datasheet electrical specification tables above.

DS-CB1802-11262019-Rev

\*When max dimensions are called out the above tolerances do not apply as long as it is under the max call out.