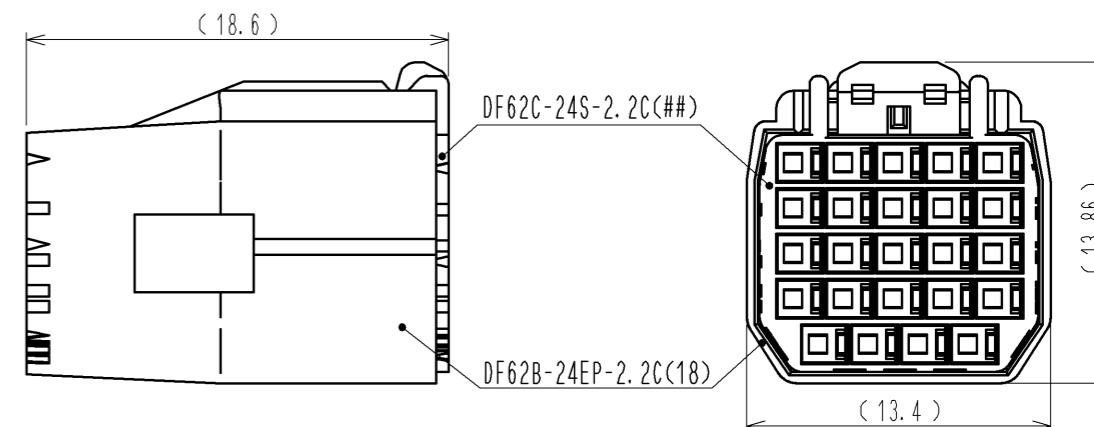
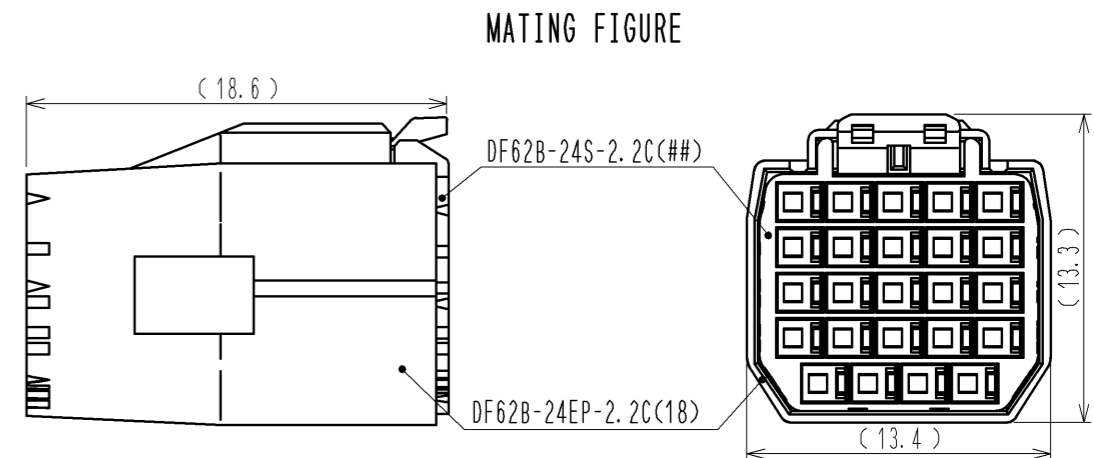
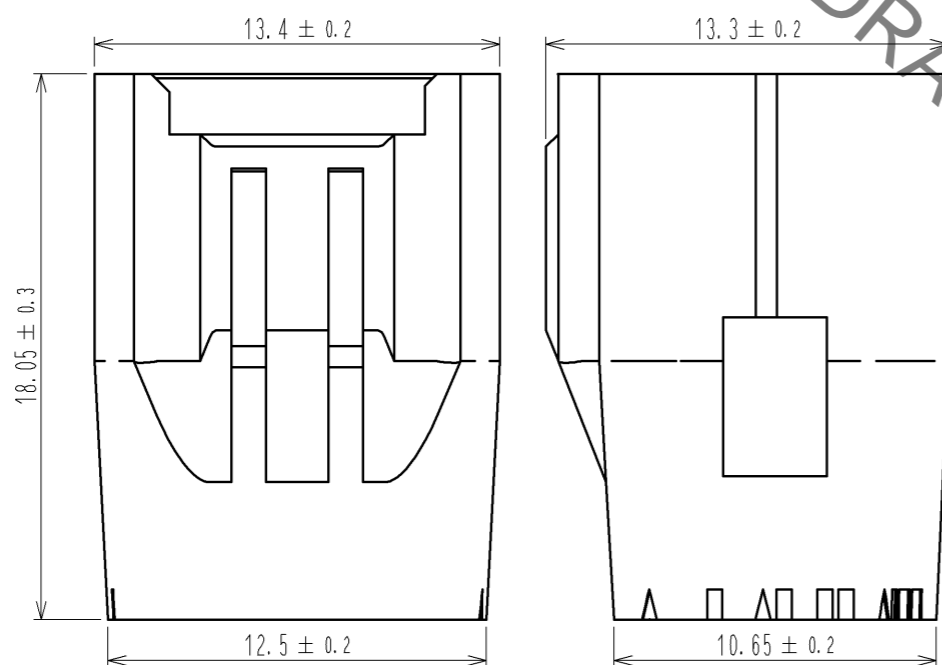
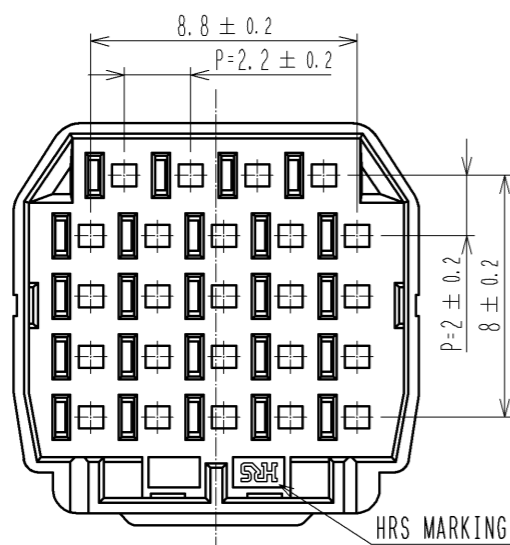
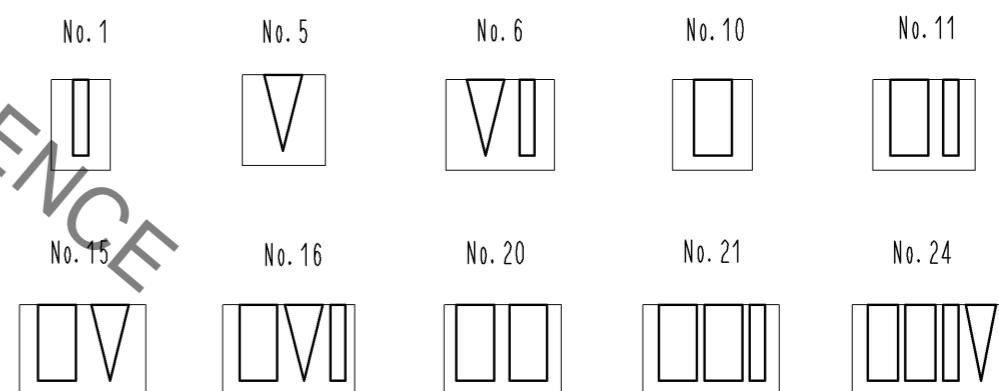


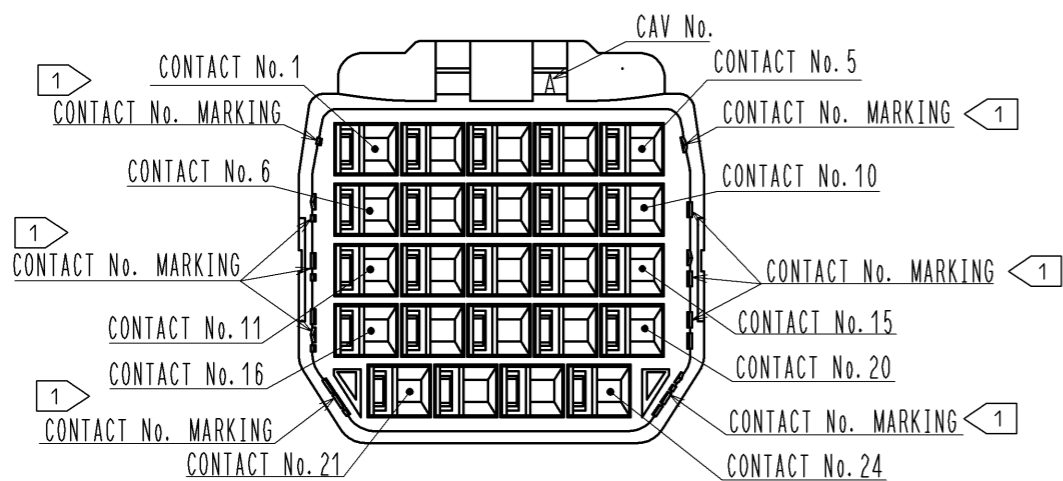
May.1.2023 Copyright 2023 HIROSE ELECTRIC CO., LTD. All Rights Reserved.
In case of consideration for using Automotive equipment / device which demand high reliability, kindly contact our sales window correspondents.



① FIGURE-1 CONTACT No. MARKING (10:1)



NOTE. ① MARKINGS AT THE INDICATED POSITIONS ARE CONTACT NO. MARKING. AND SHAPES ARE SHOWN IN FIGURE-1.
2. PER PACK : 100 PIECES.
3. THE DIMENSIONS IN PARENTHESIS ARE FOR REFERENCE.



NO.	MATERIAL	FINISH . REMARKS	NO.	MATERIAL	FINISH . REMARKS
			1	PBT	UL94V-0 (RED)
UNITS mm		SCALE 4 : 1	COUNT	DESCRIPTION OF REVISIONS	DESIGNED
					CHECKED
					DATE
APPROVED : KI. AKIYAMA			13.09.10	DRAWING NO. EDC3-348671-02	
CHECED : OM. MIYAMOTO			13.09.10	PART NO. DF62B-24EP-2.2C(18)	
DESIGNED : TH. YOSHIZAWA			13.09.09	CODE NO. CL544-0540-3-18	
DRAWN : MI. SAKIMURA			13.09.04		