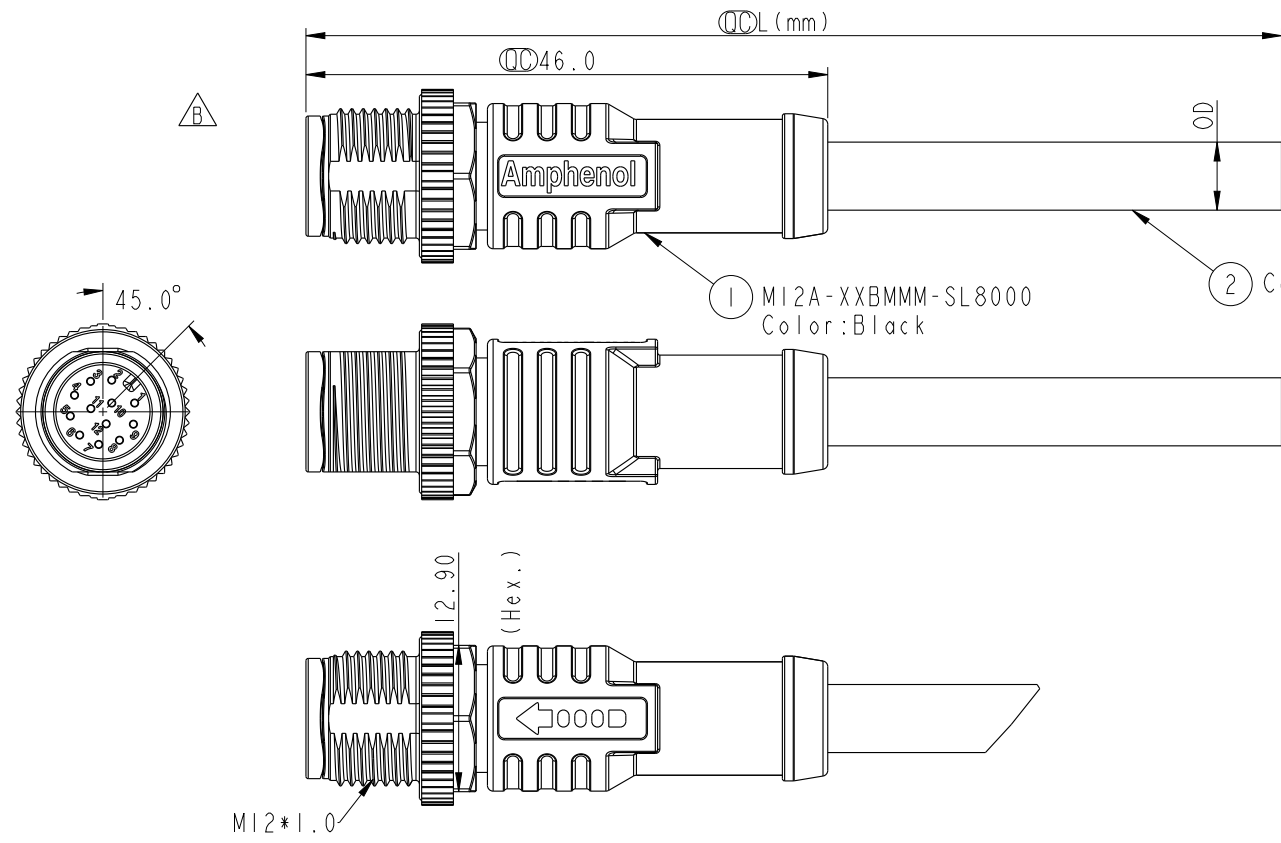


THIS DOCUMENT IS SUBJECT TO CHANGE WITHOUT NOTICE. IT IS CONFIDENTIAL AND A PROPERTY OF Amphenol LTW. DISCLOSURE TO THIRD PARTY HAS TO BE AUTHORIZED BY Amphenol LTW.

REV.	ECN NO.	DATE	SIGN	DESCRIPTION
C	LEN1680979-996 LEN1681012-015	2016/08/13	Yulong_wang	Add 6Pin & IP69K.
D	LEN1750103-09	2017/04/06	Lingpeng	Change The Cable OD
E	BOMR19100201	2019-10-29	Lingpeng	Add 17P



① M12A-XXBMMM-SL8000
Color:Black

② Cable

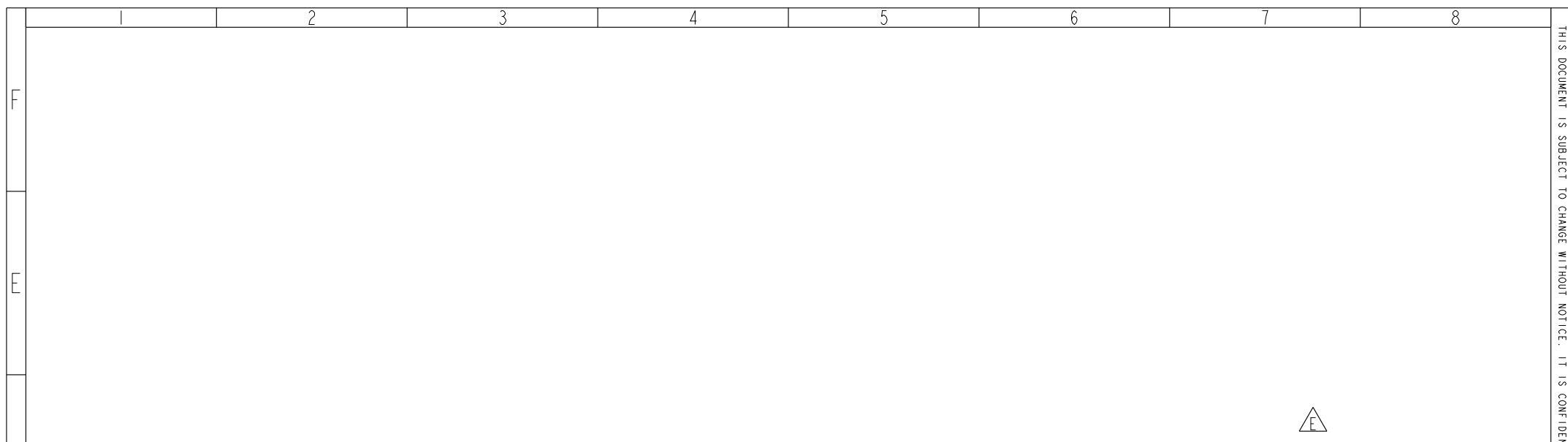
- Notes:
- * Important Dimension.
 - * Waterproof Rate: IP68., IP69K.
 - * Connector:
 - 3~6P,8P,10P,12P: PU+GF,Black.
 - 17P: Nylon+GF,Black.
 - * Male Pin: Copper Alloy, Gold Plated.
 - * Screw Nut: Zinc Alloy, Nickel Plated.
 - * Outer Mold: PU,Black.
 - * Cable: (A) UL2517,PVC Jacket,Yellow.
(B) UL20549,PUR Jacket,Black.
(D) UL2517,PVC Jacket,Black.
 - * Rated Voltage: 3 & 4Pin 250V dc. or ac.
5Pin 60V dc. or ac.
6~12Pin,17Pin 30V dc. or ac.
 - * Rated Current: 3~5Pin 4A
6~8Pin 2A
10~12Pin,17Pin 1.5A
 - * Operating Temperature: -25~85°C
 - * Cable Length Tolerance: 01M:±40mm
02M~05M:±60mm
06M~10M:±100mm
11M~30M:±200mm
31M~99M:±500mm

UNIT:mm		
TOLERANCE		
±0.5mm		

TITLE M12 A Type Cable Male Conn.			
SCALE 3:2	SIZE A4	SHEET 1 OF 3	
REV. E	WC-REV. A.3	◎◎: Inspection item	

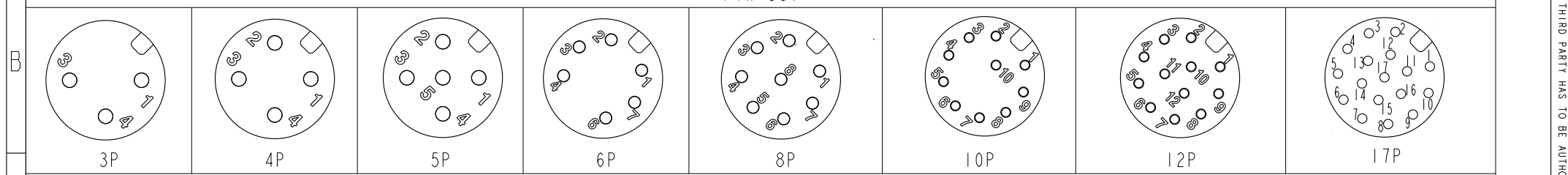
Amphenol LTW
安費諾亮泰企業股份有限公司

ITEM NO	DRAWN BY Lingpeng	DATE 2017-04-06
DWG NO M12A-XXBMMM-SL8XXX	CHECKED BY Ma Fei	DATE 2017-04-06
CUSTOMER ALTW	APPROVED BY Jerry	DATE 2017-04-06



5	--		5	--		5	Gray	灰	5	--	8	--		12	--	12	Red/Blue	紅/藍	17	White/Gray	白/灰		
4	Black	黑	4	Black	黑	4	Black	黑	4	Yellow	黃	7	Blue	藍	7	Blue	藍	9	Black	黑	16	Yellow/Brown	黃/棕
3	Blue	藍	3	Blue	藍	3	Blue	藍	3	Green	綠	6	Pink	粉	6	Pink	粉	10	Violet	紫	15	White/Yellow	白/黃
2	--		2	White	白	2	White	白	2	Brown	棕	5	Gray	灰	5	Gray	灰	8	Red	紅	14	Brown/Green	棕/綠
1	Brown	棕	1	Brown	棕	1	Brown	棕	1	White	白	4	Yellow	黃	4	Yellow	黃	7	Blue	藍	13	White/Green	白/綠
Pin #	Wire		Pin #	Wire		Pin #	Wire		Pin #	Wire		Pin #	Wire		Pin #	Wire		Pin #	Wire		Pin #	Wire	

Pin Out



Pin Assignments Front View

UNIT:mm TOLERANCE ±0.5mm		TITLE MI2 A Type Cable Male Conn.			<h1>Amphenol LTW</h1> <p>安費諾亮泰企業股份有限公司</p>	ITEM NO	DRAWN BY	DATE
		SCALE 3:2	SIZE A4	SHEET 3 OF 3		DWG NO MI2A-XXBMMM-SL8XXX	CHECKED BY Ma Fei	DATE 2017-04-06
		REV. E	WC-REV. A.3	Inspection item		CUSTOMER ALTW	APPROVED BY Jerry	DATE 2017-04-06