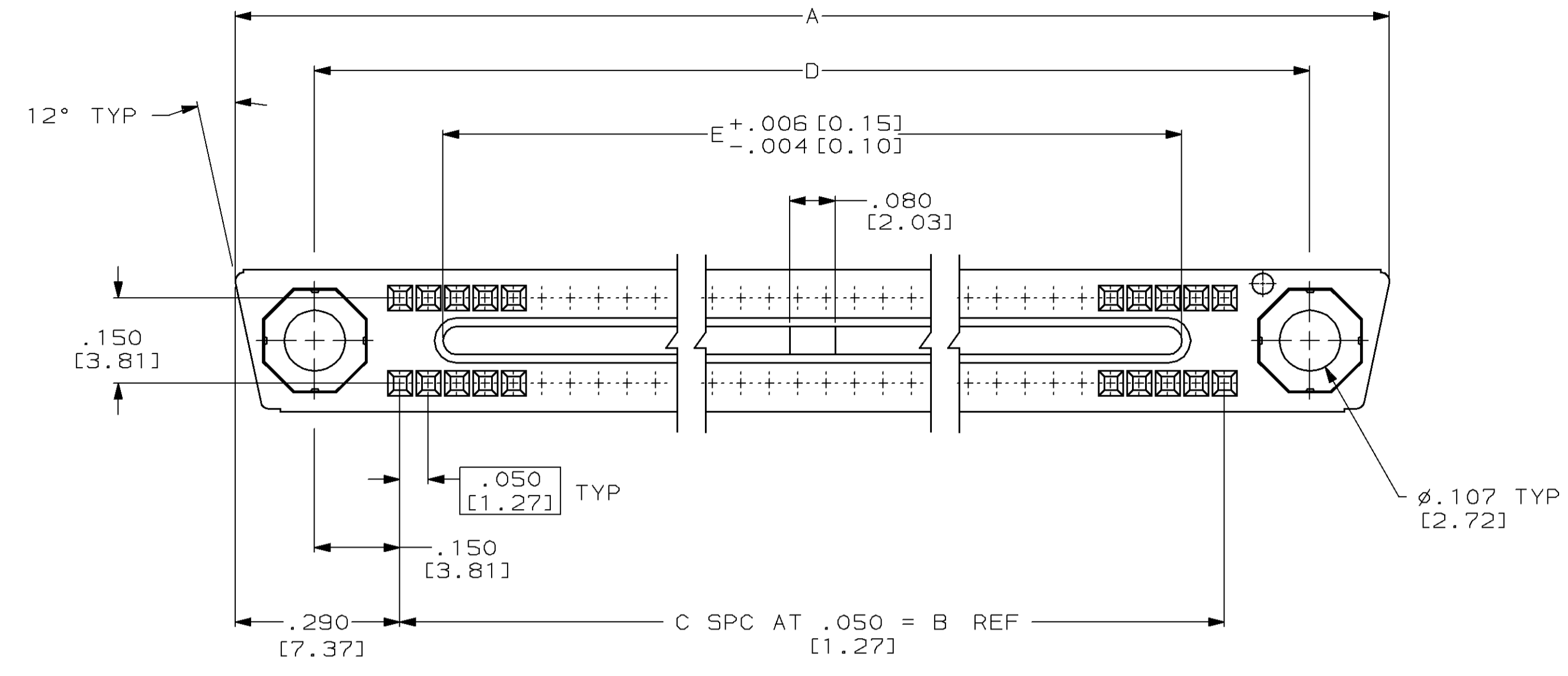
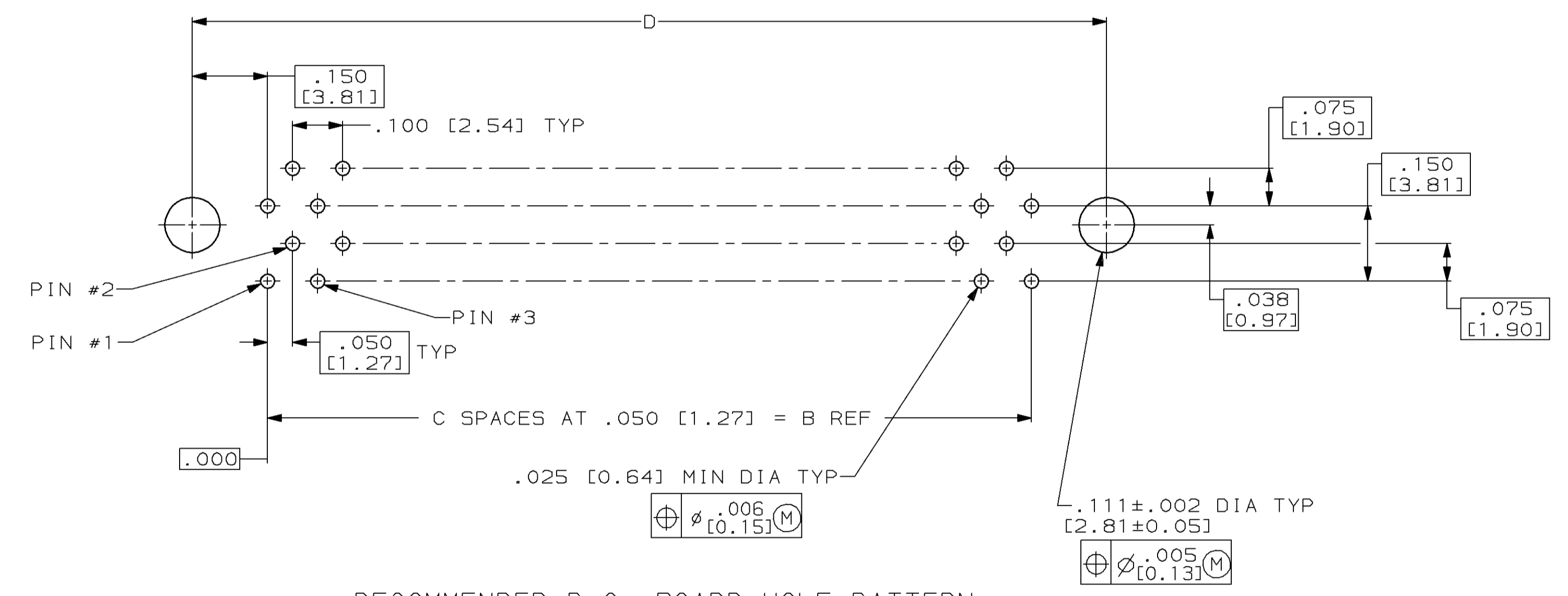
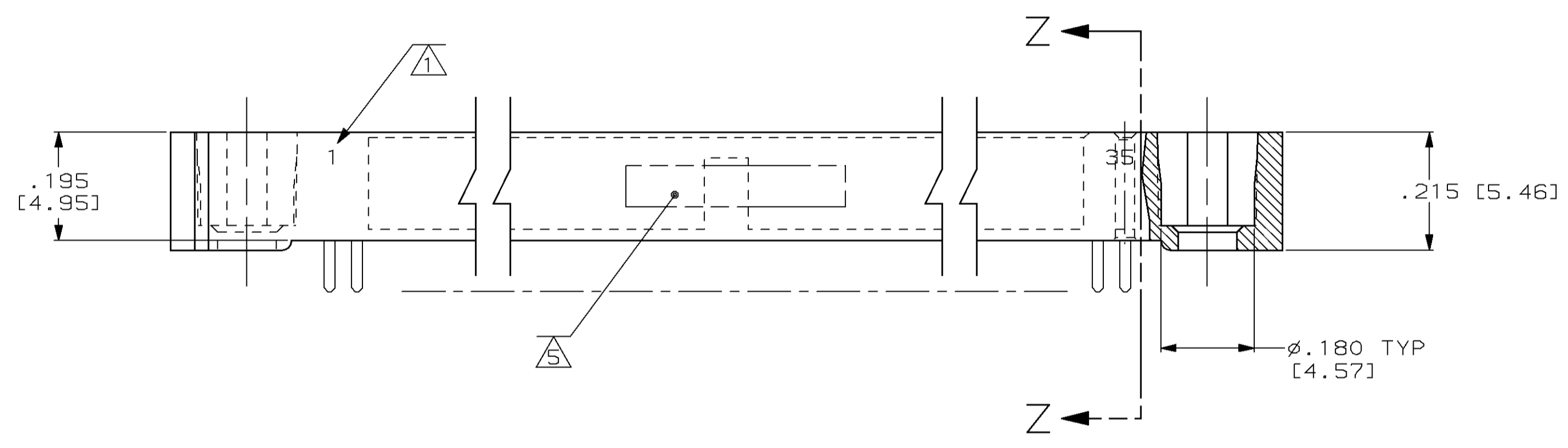


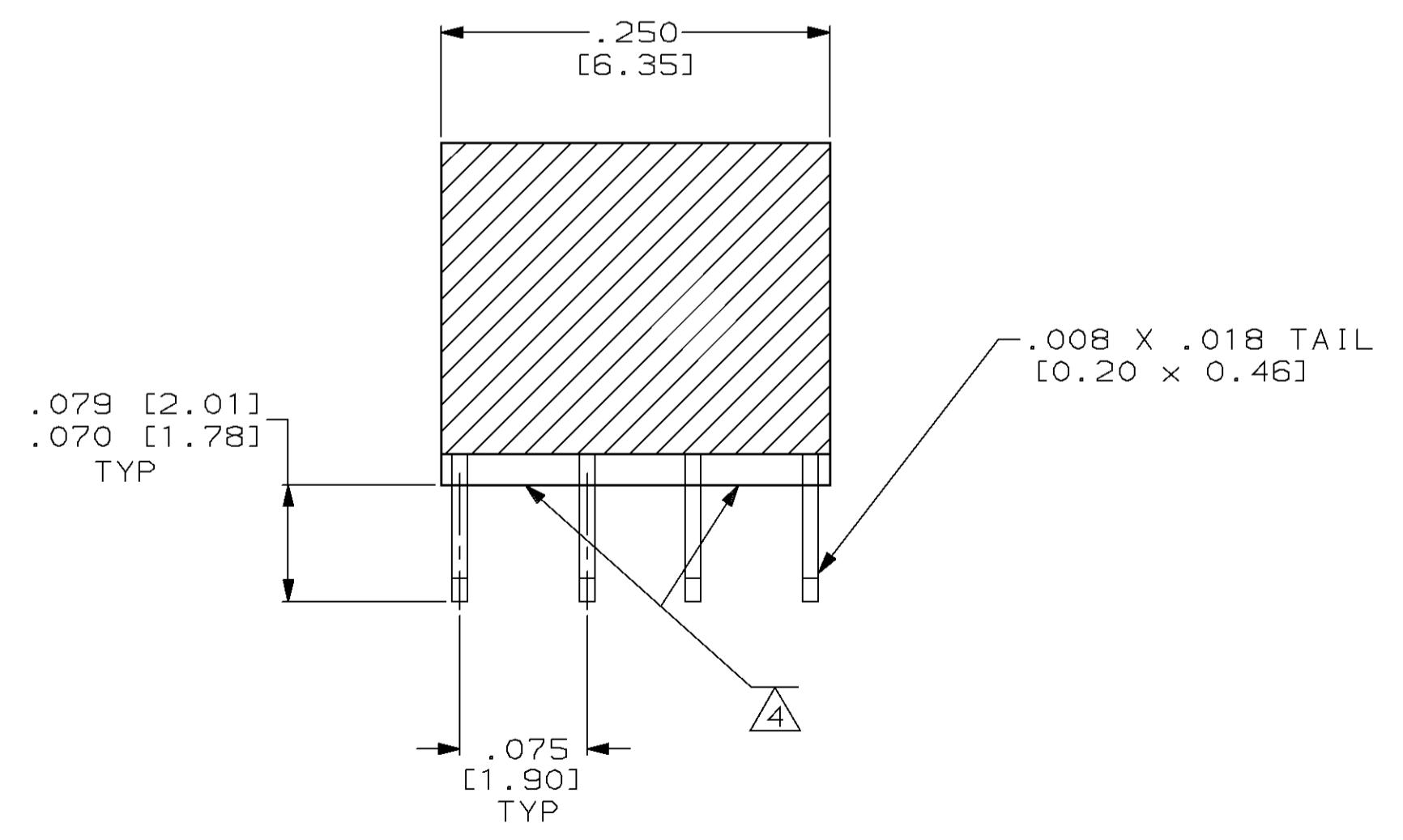
PROJ		LOC	Q1ST	REVISIONS					
CODE	DF	F0	P	F	ZONE	LTR	DESCRIPTION	DATE	APPD
							O REL PER NPR 92-0446 TA	2-2-93	DG
							A REV PER 0600-3448-95 TA	1-17-96	DG



- 1. NUMBERS INDICATING END POSITIONS MARKED THIS SIDE ONLY.
- 2. MEETS ALL APPLICABLE REQUIREMENTS OF MIL-C-55302.
- 3. HOUSING MAT'L: LIQUID CRYSTAL POLYMER, COLOR: GRAY.
- 4. EPOXY IS ADDED TO BOTTOM OF HOUSING FOR INCREASED CONTACT RETENTION.
- 5. AMP, PART NUMBER AND DATE CODE MARKED APPROX. IN THIS AREA.



RECOMMENDED P.C. BOARD HOLE PATTERN  
(CONNECTOR SIDE)



SECTION Z-Z  
SCALE 10:1

1 - 35	1.550 [39.37]	2.000 [50.80]	34	1.700 [43.18]	2.290 [58.17]	70	448285-1
CAVITY I.D.	E DIM	D DIM	C	B DIM	A DIM	POSN	PART NUMBER
DO NOT SCALE PRINT. UNLESS SPECIFIED DIMENSIONS IN INCHES [mm] TOLERANCES ON:		DR T. ALEXANDER 2-1-93		AMP INCORPORATED Harrisburg, Pa. 17105			
2 PLC DEC ± -		CHK 2-2-93 D. GUTTER					
3 PLC DEC ± .005 [0.13]		APPD 2-2-93 D. GUTTER		NAME			
ANGLES ± 0°30'		MATERIAL		RECEPTACLE ASS'Y, MINI-BOX, WITH LOW FORCE CONTACTS			
HOUSING: 3		APPD 2-2-93 T. ALEXANDER		SIZE			
FINISH .000050 GOLD IN CONTACT AREA, TIN-LEAD ON TAILS		PRODUCT SPEC		FSCM NO 00779			
		APPLICATION SPEC		DRAWING NO 448285			
		WEIGHT		SCALE 5:1			
				SHEET 1 OF 1			