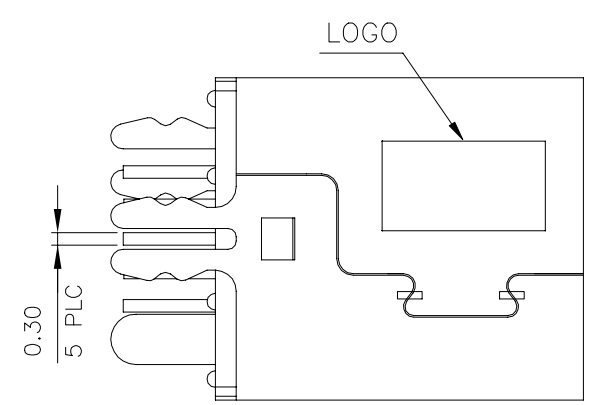
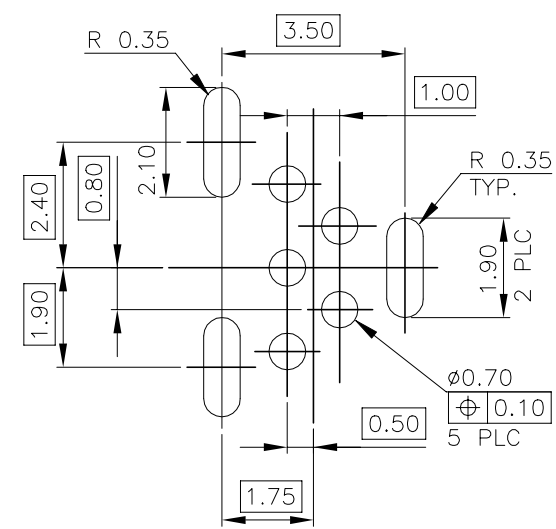
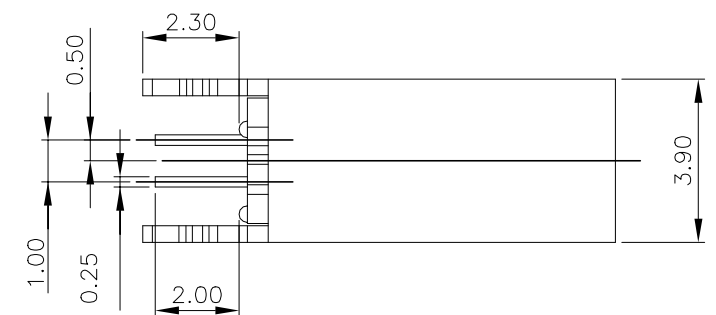
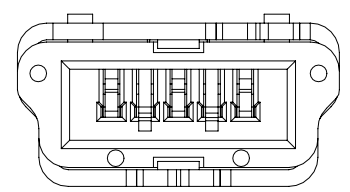
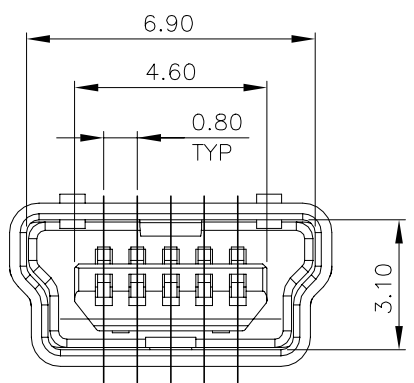
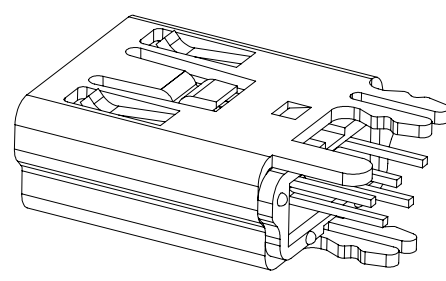
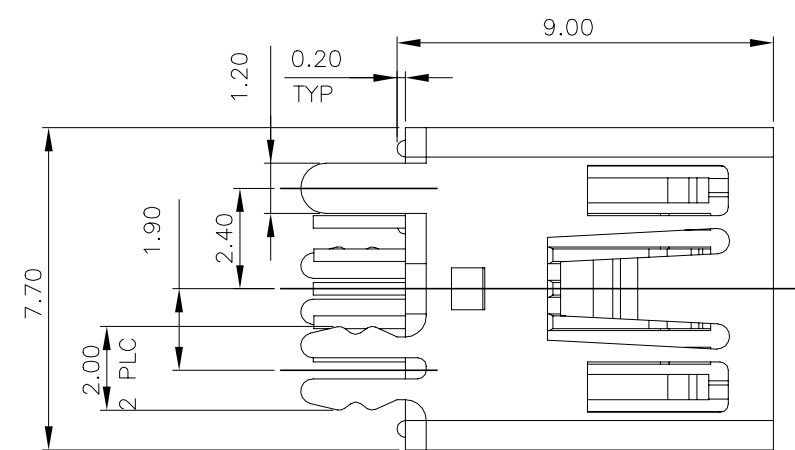


REVISIONS					
P	LTR	DESCRIPTION	DATE	DMN	APVD
B		REVISED AS PER ECN-22-176158	26JUL'22	HS	SZ



NOTE:

- MATERIAL:  
 HOUSING: THERMOPLASTIC, UL 94V-0 COLOR: BLACK.  
 CAP: LCP E130i , COLOR:BLACK.  
 CONTACT: PHOSPHOR BRONZE, THICKNESS: 0.25mm.  
 SHIELD: PHOSPHOR BRONZE, THICKNESS: 0.40mm.
- FINISH:  
 CONTACT: GOLD FLASH OVER 30u" MIN. PALLADIUM-NICKEL OR ALTERNATIVE 30u" MIN. GOLD PLATING ON CONTACT AREA, 100u" MIN. MATTE-TIN PLATED ON SOLDER TAILS 50u" MIN. NICKEL UNDERPLATED ALL OVER.  
 SHIELD: 100u" MIN. BRIGHT TIN PLATED OVER 50u" MIN. NICKEL UNDERPLATED ALL OVER.
- WAVE SOLDER CAPABLE TO 240°C PER TE SPEC 109-202, CONDITION A (FOR 1734753-1).

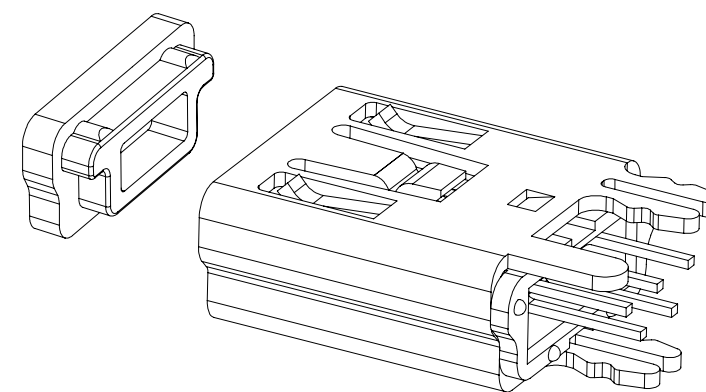
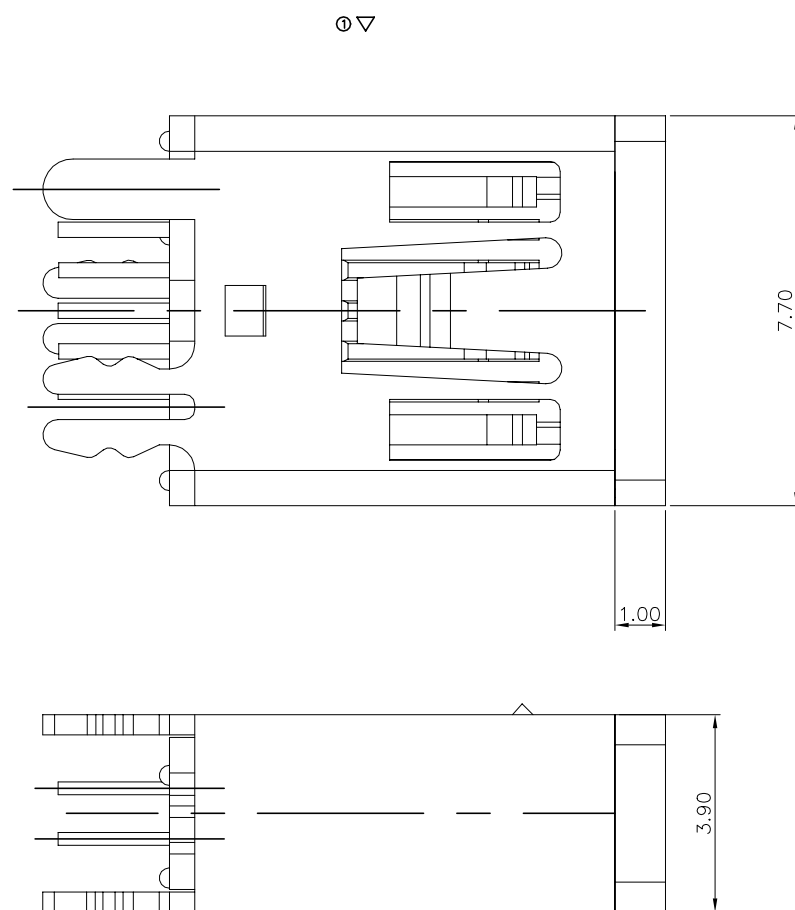
RECOMMENDED PCB LAYOUT (THICKNESS: 1.6MM)  
 (DIMENSION TOLERANCE: 1 PLC: ±0.1 2PLC: ±0.05)

SEE SHEET 3	YES	1734753-2
SEE SHEET 3	NO	1734753-1
PACKING	REFLOW CAPABLE	PART NUMBER

THIS DRAWING IS A CONTROLLED DOCUMENT.		DWN O. HU 10MAR2005	02SEP2022		TE Connectivity			
DIMENSIONS: mm		CHK S. HOU 10MAR2005	APVD W.J. KE 10MAR2005		NAME			
TOLERANCES UNLESS OTHERWISE SPECIFIED: 0 PLC ± - 1 PLC ± 0.25 2 PLC ± 0.20 3 PLC ± - 4 PLC ± - ANGLES ± 3'		PRODUCT SPEC 108-57509		MINI USB CONN., RCPT V/T, DIP, B TYPE				
MATERIAL SEE NOTE		FINISH SEE NOTE		APPLICATION SPEC	SIZE	CAGE CODE	DRAWING NO	RESTRICTED TO
		WEIGHT 0.789 GRAMS		A2	00779	C-1734753		—
		CUSTOMER DRAWING		SCALE	SHEET	1 of 4	REV	B

REVISIONS

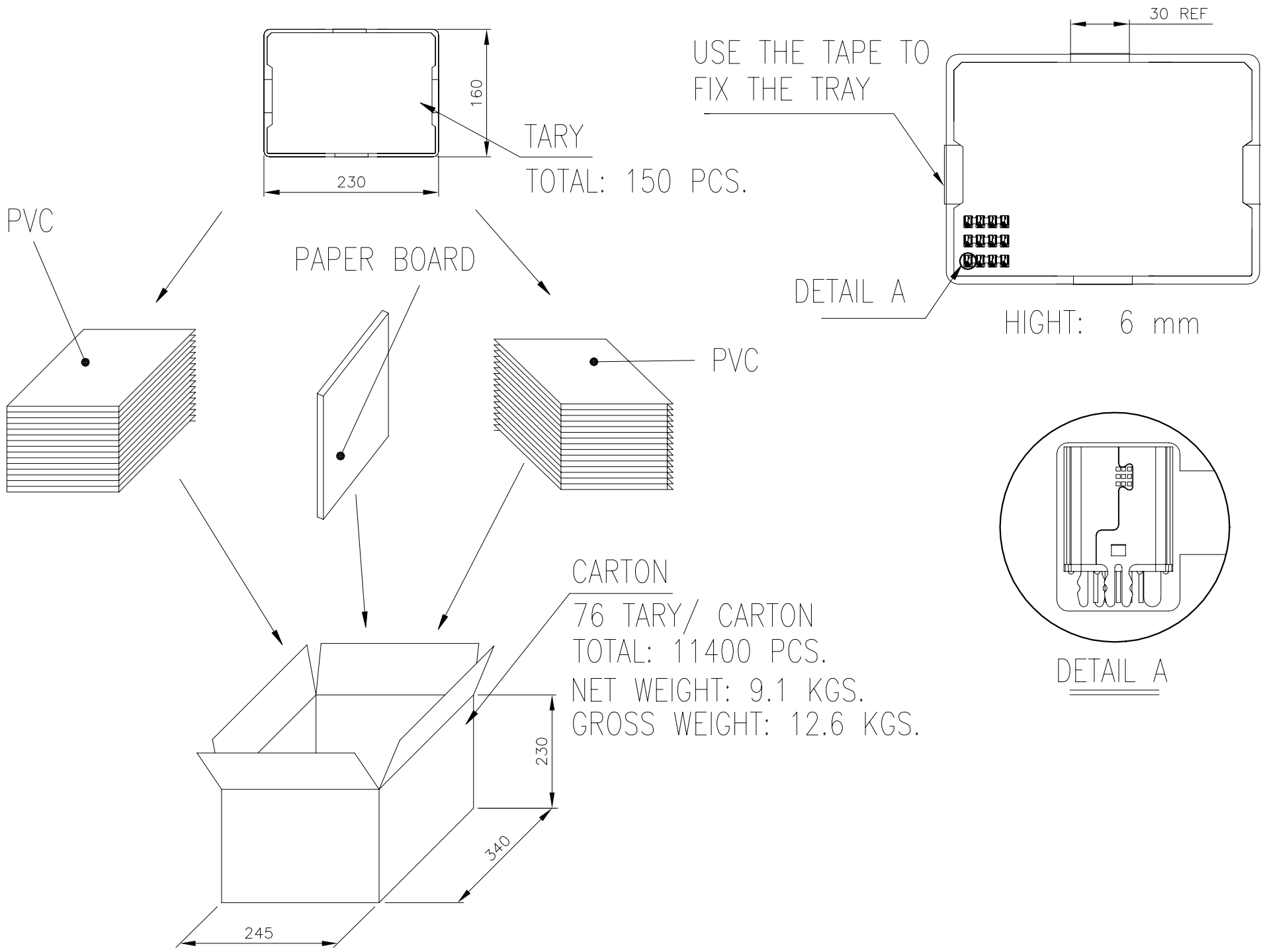
P	LTR	DESCRIPTION	DATE	DWN	APVD
-	-	SEE SHEET 1	-	-	-



(A3) ADD THIS PAGE  
 1734753-3 AS SHOWN  
 THE OTHER DIMENSIONS ARE THE SAME AS SHEET 1.

THIS DRAWING IS A CONTROLLED DOCUMENT.		DWN O. HU 10MAR2005	02SEP2022		<b>TE</b> TE Connectivity
DIMENSIONS: mm		CHK S. HOU 10MAR2005	APVD W.J. KE 10MAR2005		
TOLERANCES UNLESS OTHERWISE SPECIFIED: 0 PLC ± - 1 PLC ± 0.25 2 PLC ± 0.20 3 PLC ± - 4 PLC ± - ANGLES ± 3'		PRODUCT SPEC 108-57509		MINI USB CONN., RCPT V/T, DIP, B TYPE	
MATERIAL SEE NOTE		FINISH SEE NOTE		APPLICATION SPEC -	RESTRICTED TO -
		WEIGHT 0.789 GRAMS	SIZE A2	CAGE CODE 00779	DRAWING NO C-1734753
		CUSTOMER DRAWING		SCALE -	SHEET 2 of 4
				REV B	

REVISIONS				
P	LTR	DESCRIPTION	DATE	APVD
-	-	SEE SHEET 1	-	-



THIS DRAWING IS A CONTROLLED DOCUMENT.		DWN O. HU 02SEP2022	TE Connectivity	
DIMENSIONS: mm		CHK S. HOU 10MAR2005		
TOLERANCES UNLESS OTHERWISE SPECIFIED:		APVD W.J. KE 10MAR2005	NAME MINI USB CONN., RCPT V/T, DIP, B TYPE	
0 PLC ± - 1 PLC ± 0.25 2 PLC ± 0.20 3 PLC ± - 4 PLC ± - ANGLES ± 3'		PRODUCT SPEC 108-57509	SIZE A2	CAGE CODE 00779
MATERIAL SEE NOTE		FINISH SEE NOTE	DRAWING NO C-1734753	RESTRICTED TO -
		WEIGHT 0.789 GRAMS	SCALE -	SHEET 3 of 4
		CUSTOMER DRAWING	REV B	

4

3

2

1

© 2022 TE Connectivity. All Rights Reserved.

REVISIONS

P	LTR	DESCRIPTION	DATE	DWN	APVD
-	-	SEE SHEET 1	-	-	-

30.0±3  
24.4±3  
ø330  
TRANSPARENT COVER  
PEELING ANGLE 165°~180°  
350 MIN  
SEE NOTES 1.4  
ABOUT 170 mm LONG  
PRODUCT LOADING SECTION  
ABOUT 400mm LONG

2.00±0.10  
16.00±0.10  
4.00±0.10  
ø1.50±0.10  
7.56  
1.75±0.10  
24.00±0.30  
11.50±0.10  
SECTION A-A  
0.5  
10.20±0.10  
12.7  
4.2

348  
348  
348

THIS DRAWING IS A CONTROLLED DOCUMENT.		DWN O. HU 02SEP2022	<b>TE</b> TE Connectivity	
DIMENSIONS: mm		CHK S. HOU 10MAR2005		
TOLERANCES UNLESS OTHERWISE SPECIFIED:		APVD W.J. KE 10MAR2005	NAME MINI USB CONN., RCPT V/T, DIP, B TYPE	
0 PLC ± - 1 PLC ± 0.25 2 PLC ± 0.20 3 PLC ± - 4 PLC ± - ANGLES ± 3'		PRODUCT SPEC 108-57509	SIZE A2	
MATERIAL SEE NOTE		APPLICATION SPEC -	CAGE CODE 00779	DRAWING NO C-1734753
FINISH SEE NOTE		WEIGHT 0.789 GRAMS	RESTRICTED TO -	SCALE -
CUSTOMER DRAWING		SHEET 4 of 4	REV B	

1471-9 (1/15)

-1734753