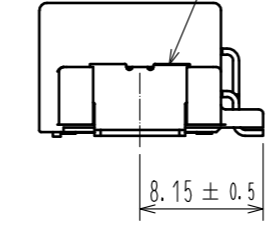
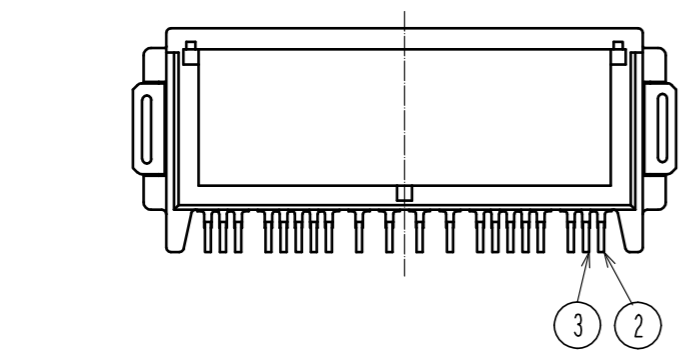
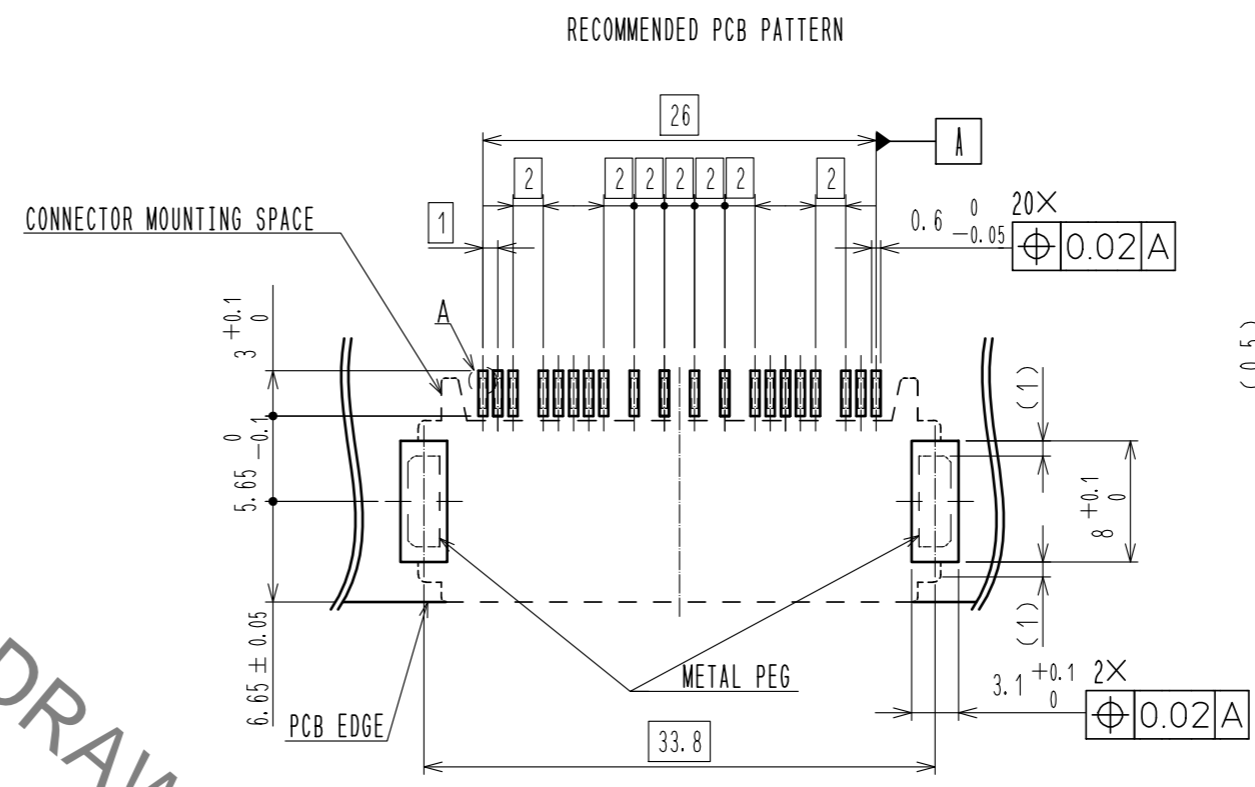
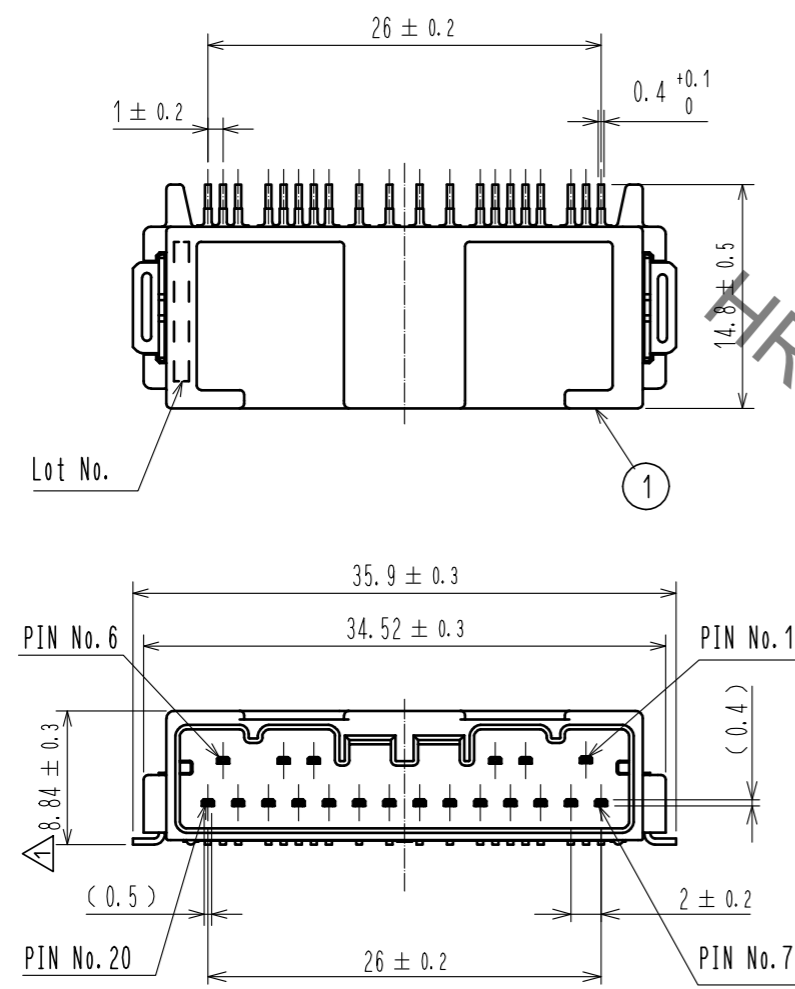
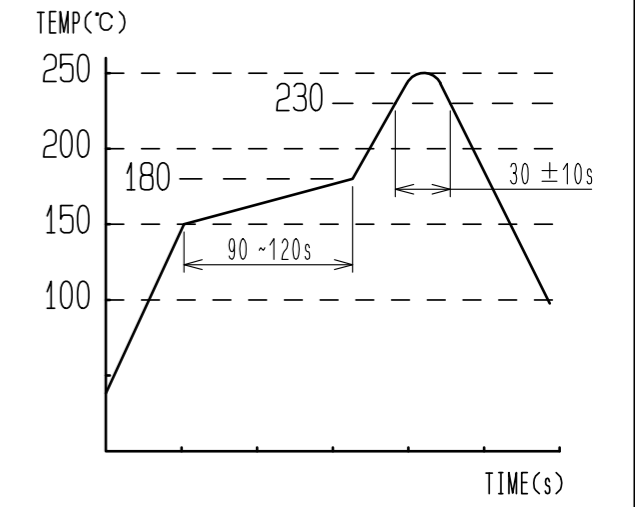


May.1.2023 Copyright 2023 HIROSE ELECTRIC CO., LTD. All Rights Reserved.
In case of consideration for using Automotive equipment / device which demand high reliability, kindly contact our sales window correspondents.

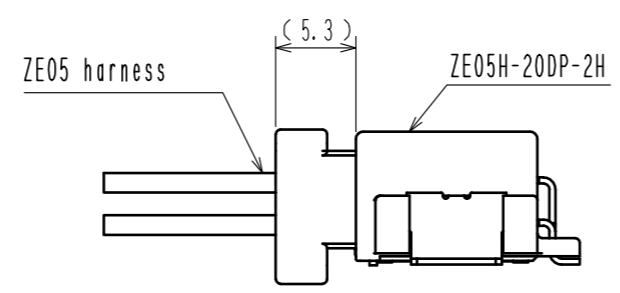
ELV, RoHS COMPLIANT



- NOTE 1. RECOMMENDED TEMPERATURE PROFILE FOR REFLOW (REFER TO RIGHT FIG.)
USED REFLOW SYSTEM : IR IN THE AIR OR NITROGEN
NO. OF CYCLES : 2 MAX
PEAK : 250°C
OVER 230°C : 20~40s
PREHEAT : 150~180°C
90~120s
2. TEMPERATURE FOR SOLDERING IRON : 280~300°C WITHIN 2s
3. CO-PLANARITY SHALL BE 0.1mm MAX.
4. RECOMMENDED PCB THICKNESS IS 1.6mm.
5. RECOMMENDED SOLDER THICKNESS IS 0.15mm.



MATED CONNECTORS

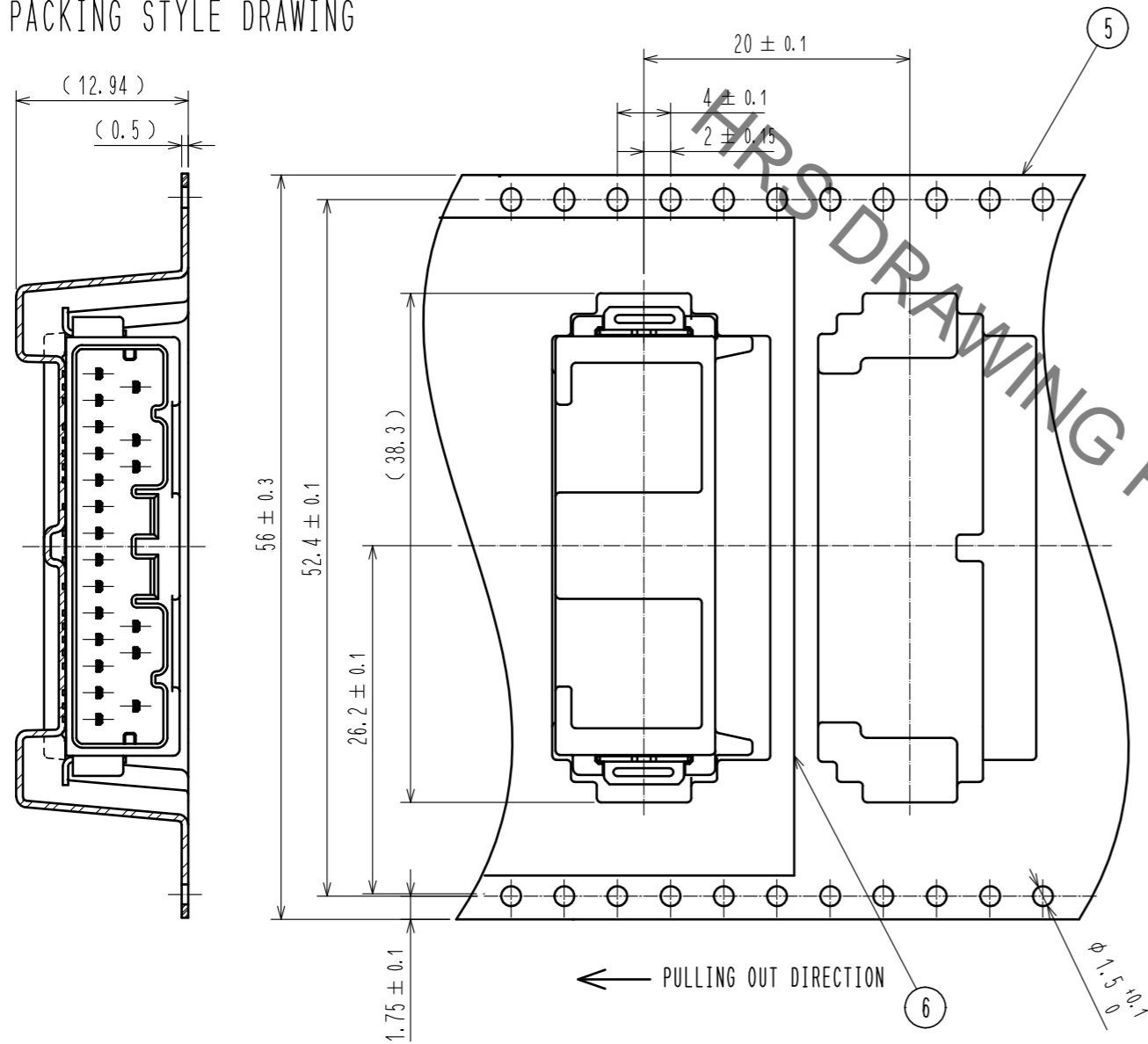


3	BRASS	SURFACE PLATING : TIN PLATING 1μm min					
		UNDER PLATING : NICKEL 1μm min	6	POLYESTER			
2	BRASS	SURFACE PLATING : TIN PLATING 1μm min	5	POLYSTYRENE			
		UNDER PLATING : NICKEL 1μm min					
1	PA	BLACK UL94V-0	4	BRASS	SURFACE PLATING : TIN PLATING 1μm min		
					UNDER PLATING : NICKEL 1μm min		
NO.	MATERIAL	FINISH . REMARKS	NO.	MATERIAL	FINISH . REMARKS		
UNITS mm		SCALE 2 : 1	COUNT 1	DESCRIPTION OF REVISIONS DIS-T-00013707	DESIGNED DK. YAMASUSO	CHECKED HH. TSUKUMO	DATE 20220423
HRS HIROSE ELECTRIC CO., LTD.		APPROVED : HK. UMEHARA	20190511	DRAWING NO. EDC-373534-00-00			
		CHECKED : HK. UMEHARA	20190511	PART NO. ZE05H-20DP-2H			
		DESIGNED : YH. MAMADA	20190511	CODE NO. CL0752-2115-0-00			
		DRAWN : MINTAE KANG	20190511				

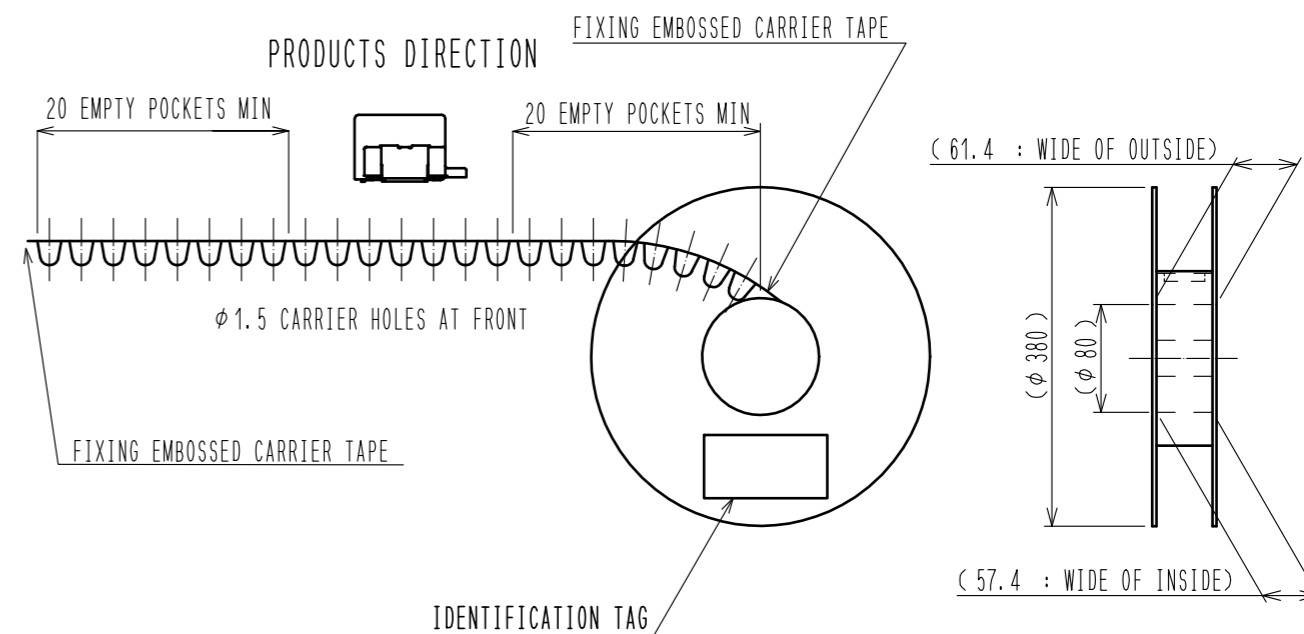
May.1.2023 Copyright 2023 HIROSE ELECTRIC CO., LTD. All Rights Reserved.
 In case of consideration for using Automotive equipment / device which demand high reliability, kindly contact our sales window correspondents.

PACKING STYLE

PACKING STYLE DRAWING

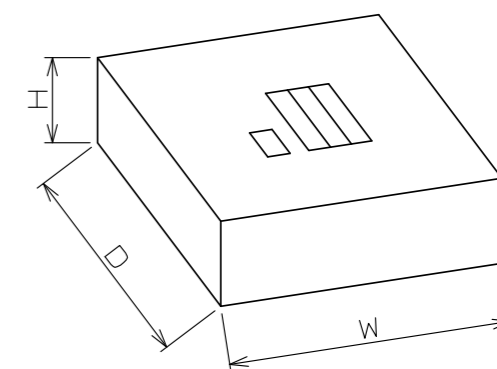


REEL DIMENSION (FREE)



CARDBOARD DIMENSION (FREE)

W=(405) (mm)
 D=(405) (mm)
 H=(63) (mm)



HRS DRAWING FOR REFERENCE

HRS	DRAWING NO.	EDC-373534-00-00
	PART NO.	ZE05H-20DP-2H
	CODE NO.	CL0752-2115-0-00
		2/2