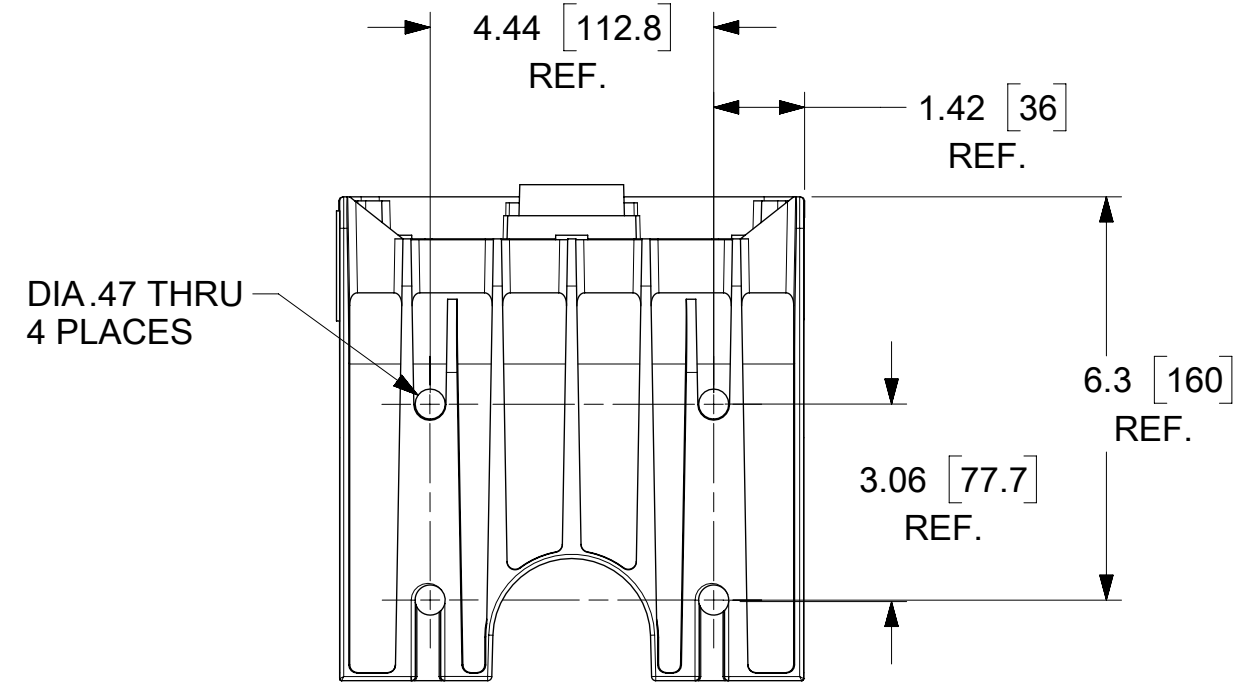
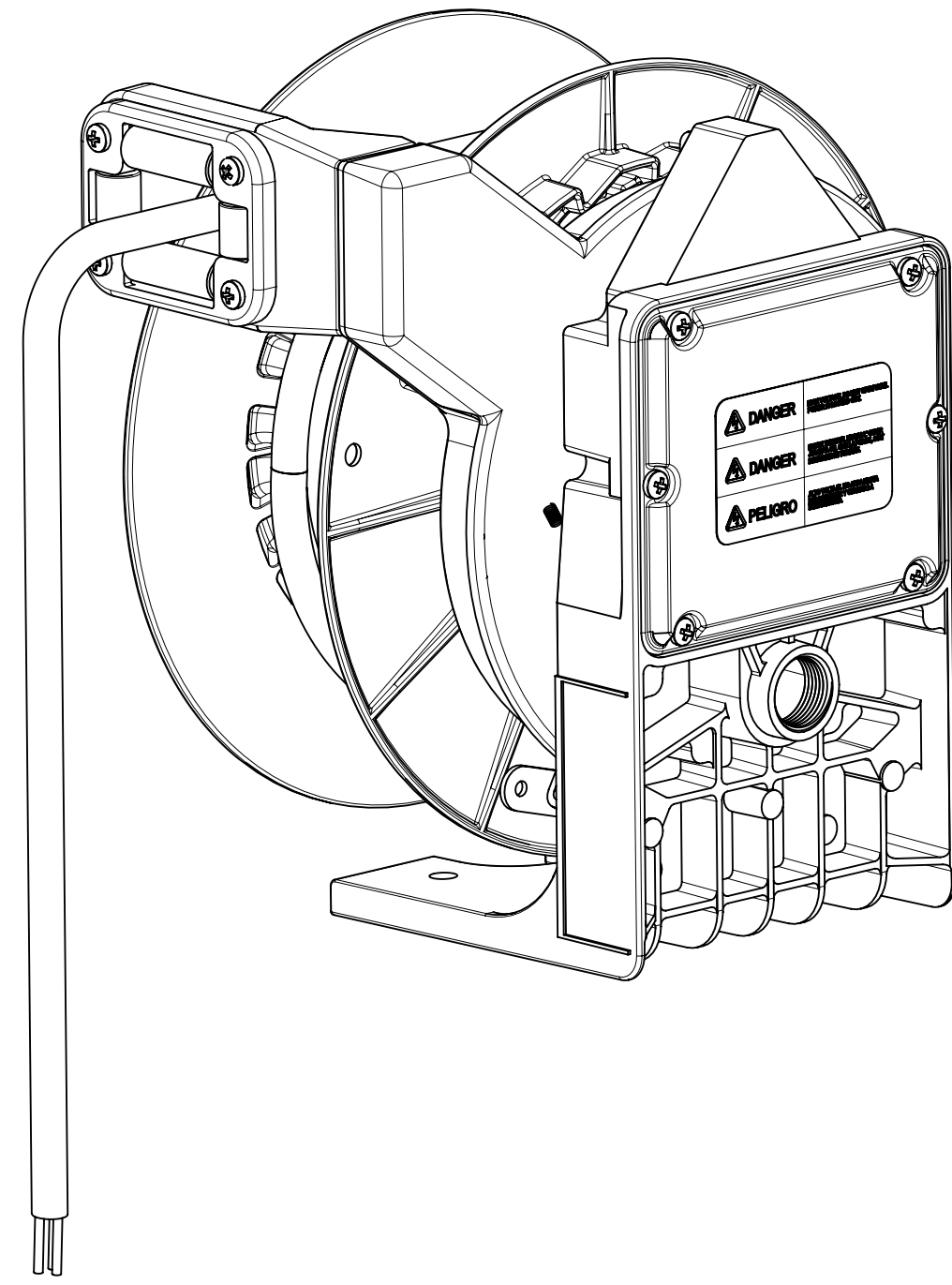
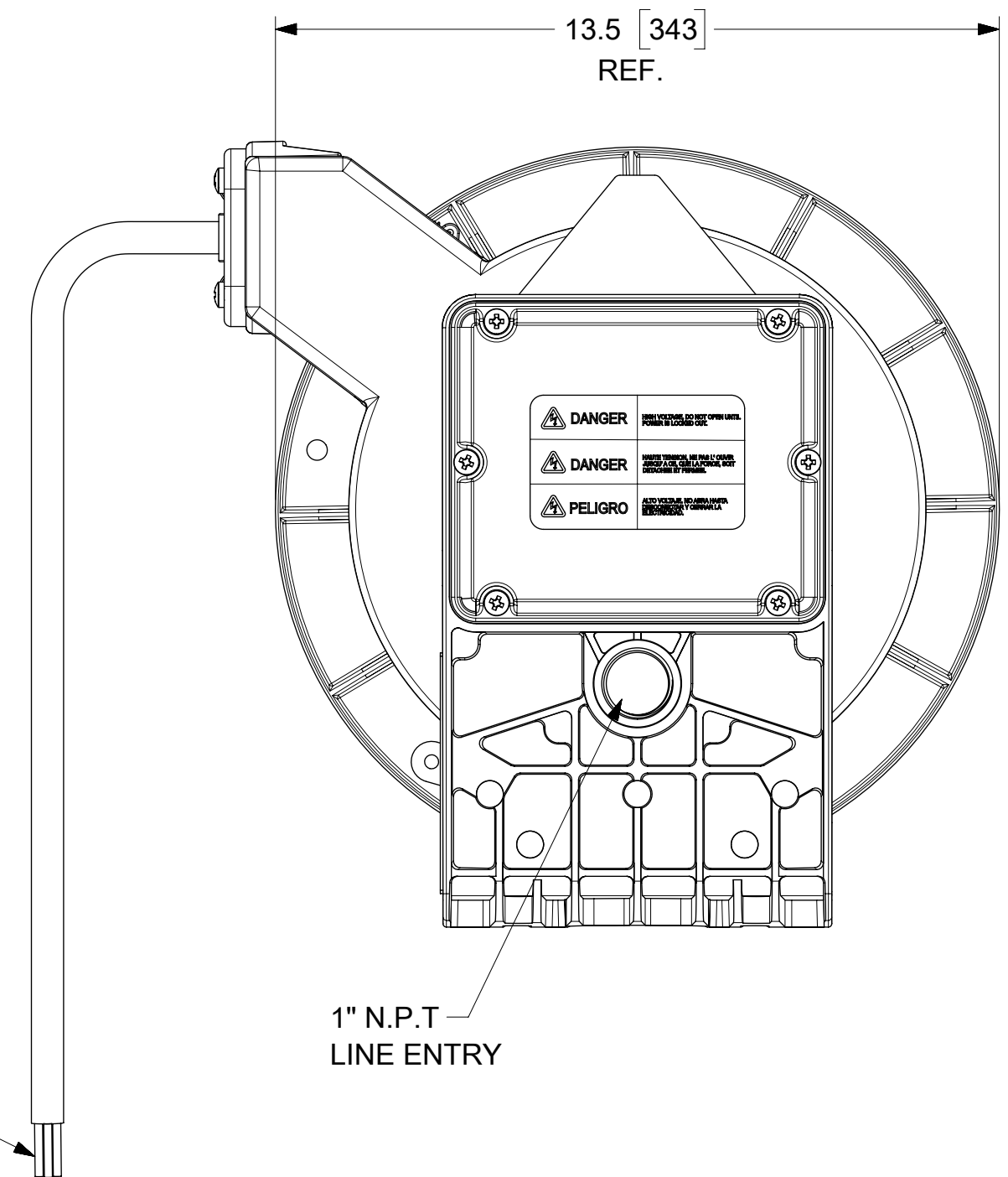
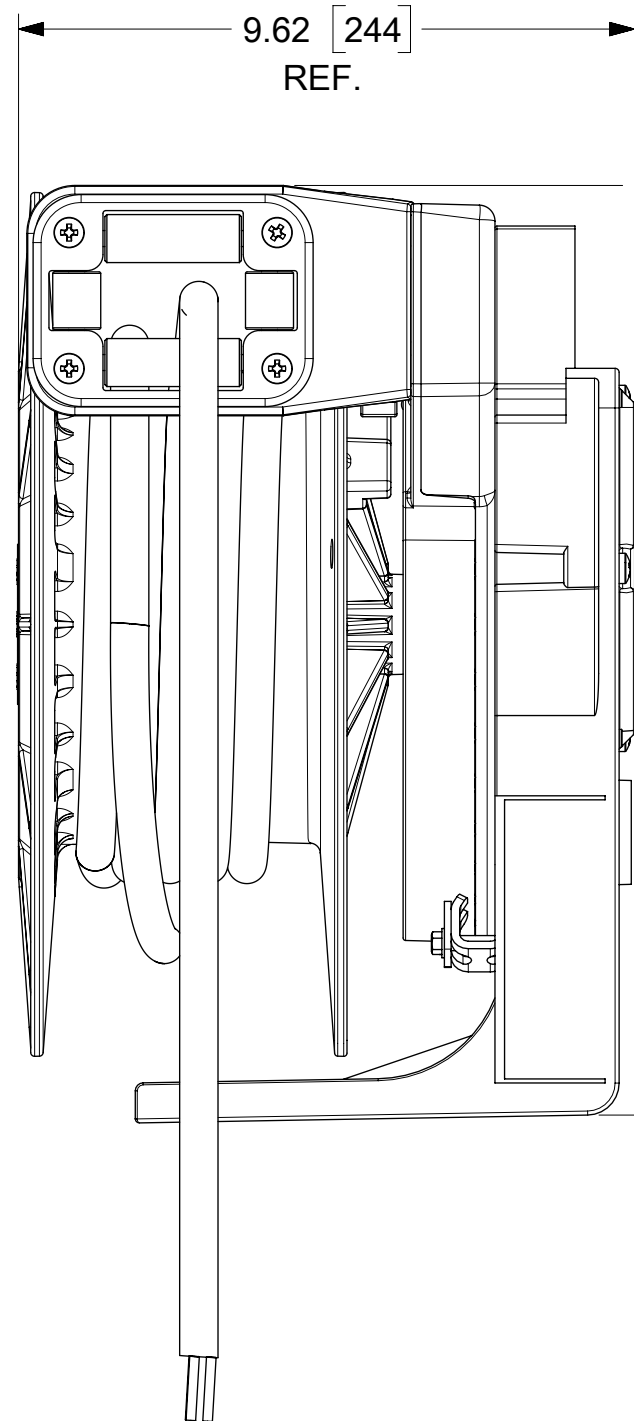


ORDER NO	130083-0227
WOODHEAD ENG. NO	9234
WIRE GAUGE	16
CONDUCTORS	4
AMPERAGE	7A
WORKING CORD	30 FT. YELLOW
CORD TYPE	SOOW
CONSTRUCTION	HEAVY WALL CAST ALUMINUM
PAINT	YELLOW POWDER COAT
REEL ENCLOSURE RATING	NEMA 4 INDOOR / OUTDOOR
RETRACTION WEIGHT	4.0 LB [1.8 KG]



BOTTOM VIEW

NOTES:

1. CABLE GUIDE IS ADJUSTABLE EVERY 5 DEGREES OVER 270 DEGREE ARC.
2. RATCHET LOCK IS EASY TO DISENGAGE FOR CONSTANT TENSION.
3. REEL CANNOT BE "LOCKED OUT" AT FULL EXTENSION.
4. BALL STOP IS OPTIONAL: ORDER No. 130226-4374 / WOODHEAD ENG. No. 9521

FUNCTIONAL SYMBOLS $F_A = 0$ $F_C = 0$ $F_P = 0$ DIVISIONAL SYMBOLS	THIS DRAWING CONTAINS INFORMATION THAT IS PROPRIETARY TO MOLEX ELECTRONIC TECHNOLOGIES, LLC AND SHOULD NOT BE USED WITHOUT WRITTEN PERMISSION		CURRENT REV DESC: RELEASE CUSTOMER DRAWING																					
	DIMENSION UNITS: INCH/MM SCALE: NTS		EC NO: 673889 DRWN: VHANDI 2020/07/17 CHK'D: DSOPPIN 2022/05/09 APPR: HKNEELAND 2022/05/13																					
	GENERAL TOLERANCES (UNLESS SPECIFIED)		INITIAL REVISION: DRWN: VHANDI 2020/07/17 APPR: HKNEELAND 2022/05/13																					
	<table border="1"> <thead> <tr> <th></th> <th>MM</th> <th>INCH</th> </tr> </thead> <tbody> <tr> <td>4 PLACES</td> <td>±</td> <td>±</td> </tr> <tr> <td>3 PLACES</td> <td>± 0.13</td> <td>± 0.01</td> </tr> <tr> <td>2 PLACES</td> <td>± 0.25</td> <td>± 0.02</td> </tr> <tr> <td>1 PLACE</td> <td>±</td> <td>±</td> </tr> <tr> <td>0 PLACES</td> <td>±</td> <td>±</td> </tr> <tr> <td>ANGULAR TOL</td> <td colspan="2">± 0.5°</td> </tr> </tbody> </table>			MM	INCH	4 PLACES	±	±	3 PLACES	± 0.13	± 0.01	2 PLACES	± 0.25	± 0.02	1 PLACE	±	±	0 PLACES	±	±	ANGULAR TOL	± 0.5°		MATERIAL NUMBER: 130083 CUSTOMER: GENERAL MARKET SHEET NUMBER: 1 OF 1
	MM	INCH																						
4 PLACES	±	±																						
3 PLACES	± 0.13	± 0.01																						
2 PLACES	± 0.25	± 0.02																						
1 PLACE	±	±																						
0 PLACES	±	±																						
ANGULAR TOL	± 0.5°																							

molex

CABLE REEL - INDUSTRIAL DUTY 30' #16-4 SOOW

PRODUCT CUSTOMER DRAWING

DOCUMENT NUMBER	DOC TYPE	DOC PART	REVISION
1300830227	PSD	000	A