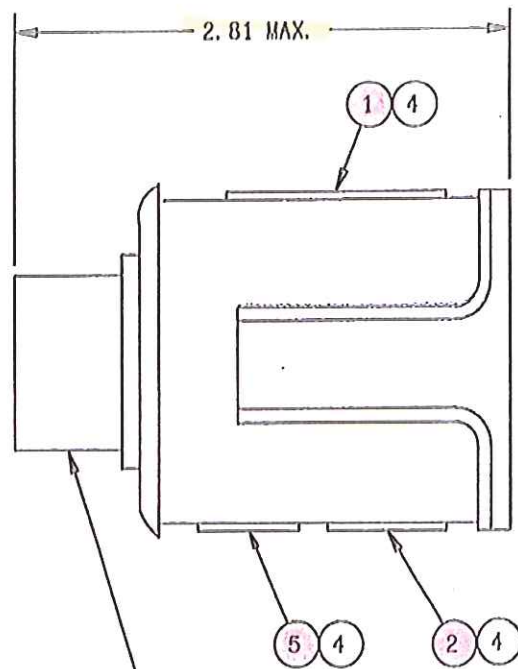
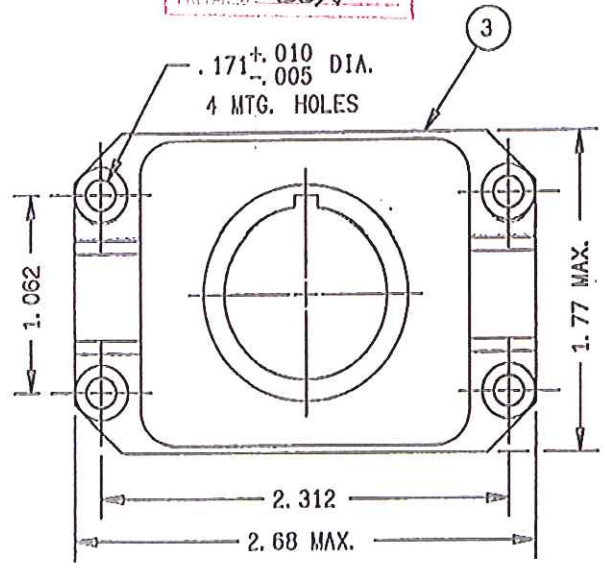
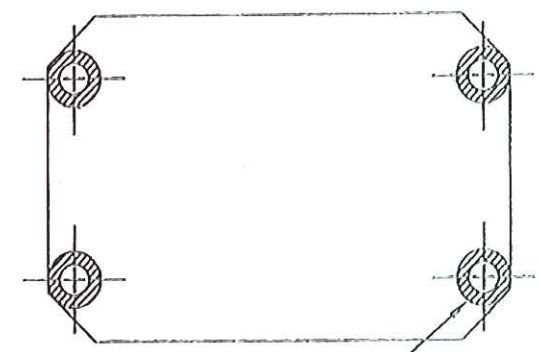


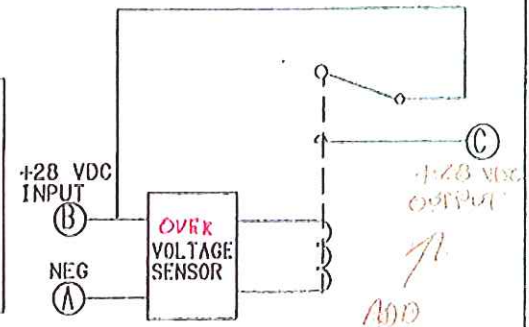
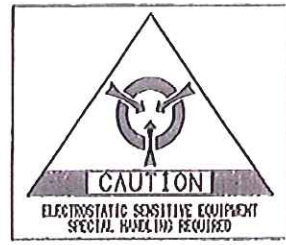
DRAWING: 14-013073  
 DATE: 9-2-14  
 APPROVED: [Signature]  
 PREPARED: DSH



REV	DESCRIPTION	DATE	APPROVED
A	ADDED ITEM #3 45666-010 PRIMARY ASSEMBLY	01/12/14	CC
B	ADDED ITEM 5, ESD SYMBOL & REVISED INT RELEASED DATE	06/03/10	CB
C	MARKUP WAS INCOMPLETE IN CAL TEC	06/03/10	CB
D	ADDED BOTTOM VIEW	07/03/12	CB



AMPHENOL CONNECTOR  
PT1H-12-10P



CONSTRUCTION

METAL CASE, POTTED ASSEMBLY WITH CONTACTS HERMETICALLY SEALED

MIN. OPER. CYCLES  
 ENVIRONMENTAL DATA  
 OPER. TEMP.  
 CONTACT DATA  
 CONTACTS  
 CONTACT RATING  
 RESISTIVE  
 INDUCTIVE  
 WEIGHT MAX.

50,000  
 -55°C TO +71°C  
 SPST N.O.  
 5 AMP  
 1 AMP  
 0 OZ.

**OPERATING CHARACTERISTICS:**  
 CONTACTS CLOSE AT 24.5 ± 0.5 VDC WITH A 1 ± 0.15 SEC. TIME DELAY. CONTACTS OPEN AT 30 ± 0.5 VDC WITH A 0.30 TO 0.60 SECOND TIME DELAY AND AT 34 ± 0.5 VDC WITH A 40 TO 60 MILLISECOND TIME DELAY. CONTACTS RECLOSE WHEN THE VOLTAGE DECREASES TO 28.5 ± 0.5 VDC FROM AN OVERVOLTAGE CONDITION. CONTACTS OPEN AT 16 ± 0.5 VDC WITH A TIME DELAY OF 0.50 ± 0.10 SECONDS

NOTE  
 CONTACTS WILL NOT CLOSE ON REVERSED INPUT VOLTAGE POLARITY.

ITEM NO	QTY	PART OR IDENTIFYING NO	DESCRIPTION	FSCU NO	DRAWING OR SPECIFICATION	MATERIAL OR NOTE
5	1	41211-001	PLATE ESD			
4	3	39529-001	OVERLAY			
3	1	45666-010	RELAY ASSEMBLY PRI.			
2	1	40453-001	PLATE - WIRING DIAGRAM			
1	1	16043-001	PLATE - NAME			

UNLESS OTHERWISE SPECIFIED DIMENSIONS ARE IN INCHES TOLERANCES ON			<b>Tyco Electronics</b> Hatfield Division, 175 H. DIXON STREET HATFIELD, OHIO 45002	
2 PL DEC.	3 PL DEC.	ANGLES		
± .02	± .010	± 1	<b>MONITOR, EXTERNAL POWER</b> 093 DWG NO. E-311AAJ REF TYCO P/N 2-1616542-8	
DR BY	EAD	01/12/14		
CHK BY	CC	03/02/13		
ENGR	RSS	03/02/13		
MFG	MH	03/02/13	SIZE CODE IDENT <b>C 74063</b>	
SCALE NONE SHEET				