

REVISION

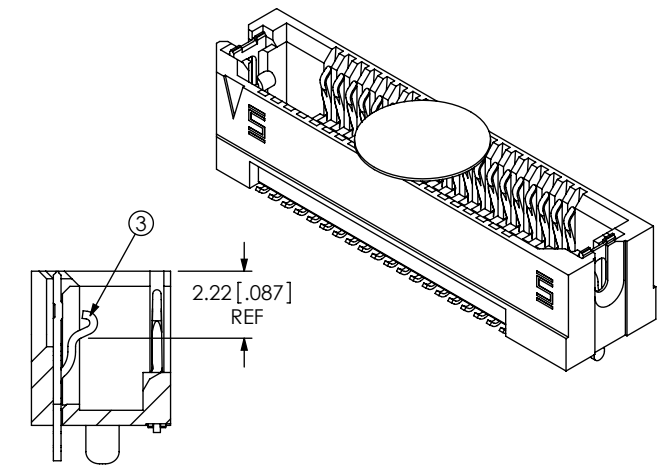
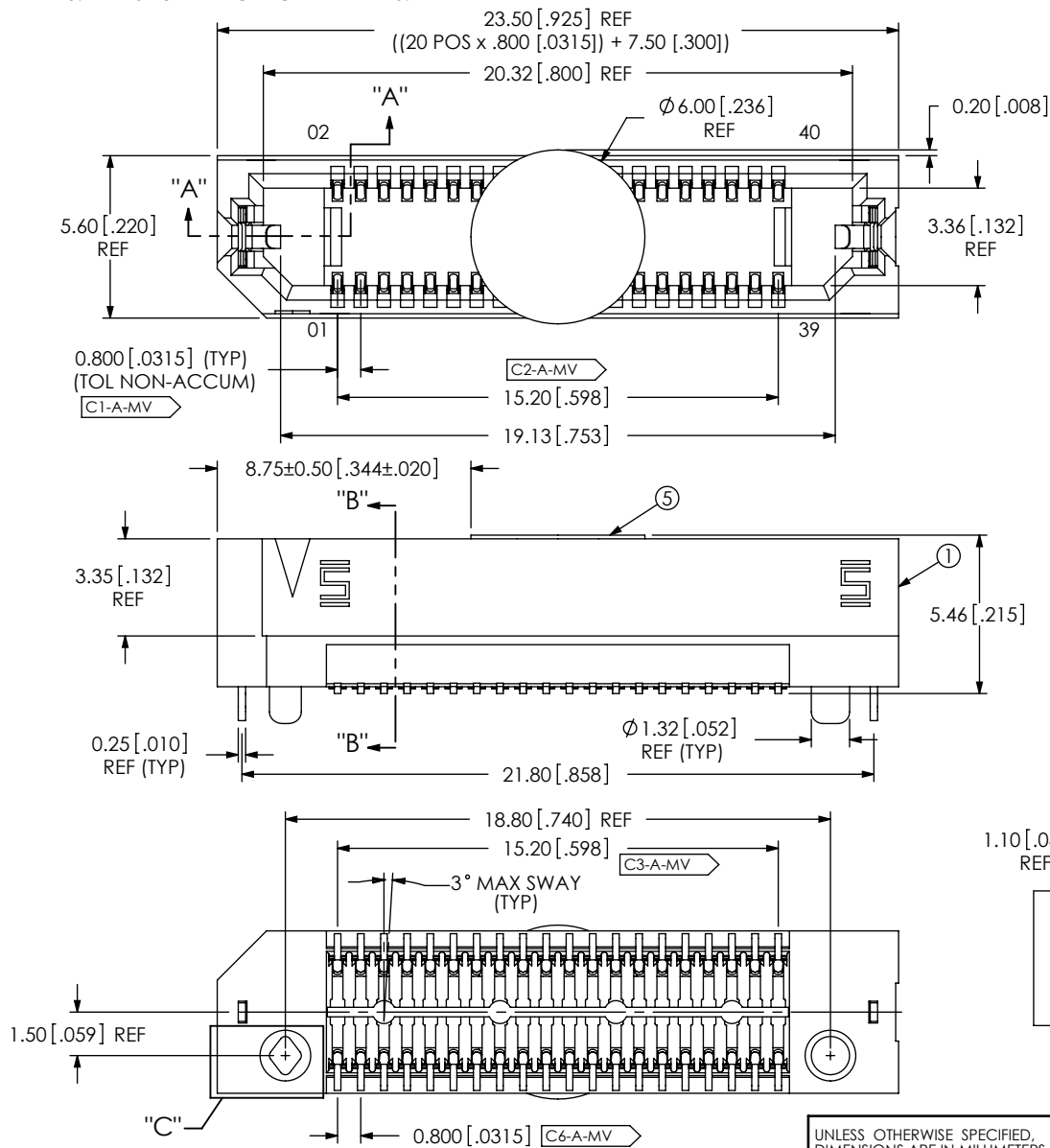
B	DF	D FRALEY
2/27/2008	ECN-86903	
SHEET 2: DELETE PINOUT TABLE.		
C	TW	D FRALEY
10/7/2008	ECN-98482	
BOM: CHG ERF8-020-05.0-DV-L TO ERF8-020-05.0-DV-SL; BOTTOM VIEW: ADD MAX SWAY TOL.		
D	TW	E FRALEY
11/6/2009	ECN-119812	
BOM: ITEM 5: PART #, CHG FROM K-500-300 TO K-850-650 & MATERIAL REMOVE (KAPTON).		
E	JS	TWILD
7/24/2013	ECN-208291	
SECT "B"-"B": 5.407 TO 5.41 +/- 0.25 NOTES: CHG NOTE 2 FROM "<HEX>" TO "<CPC>"; REPRESENTS A CRITICAL DIMENSION.; REPLACE CUSTOMER CRITICAL SYMBOLS WITH CPC SYMBOLS.		

DATE:	COMPANY:	CUSTOMER SIGNATURE	PRINTED NAME	PHONE NO.:	FAX NO.:
ACCEPTED OF DRAWING					
ACCEPTED WITH DEVIATIONS LISTED					

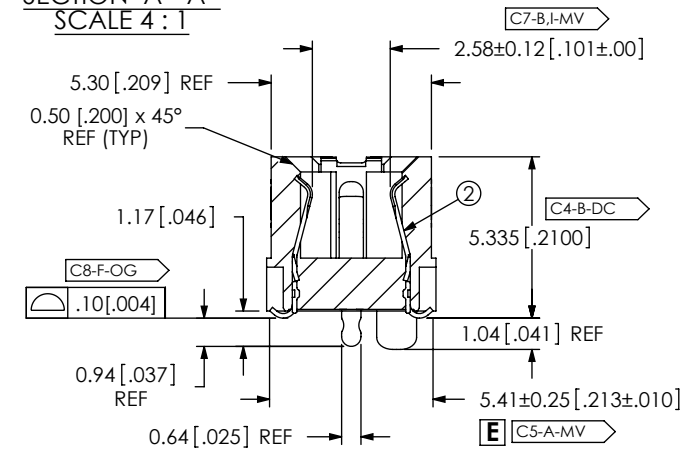
ITEM NO.	PART NUMBER	QUANTITY	MATERIAL
1	ERF8-20-05.0-DV-SL	1.0000	VECTRA E130i, COLOR: BLACK
2	C-211-05.0-S	40.000	BeCu, 390 HT
3	WT-30-01-F	2.0000	BeCu, #25, 1/2 HT
4	TY-ERF8034-20-5-L	1.0000	BLACK HIPS
5	K-850-650	1.0000	POLYIMIDE FILM

NOTES:

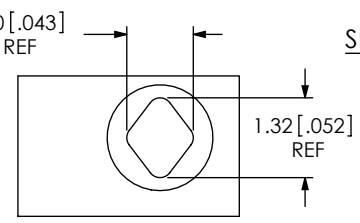
1. STANDARD PART SET UP AS ASP.
2. [CXX.XX] REPRESENTS A CRITICAL DIMENSION.
3. MAXIMUM BURR ALLOWANCE: .038 [.0015].
4. MINIMUM PUSHOUT FORCE: 2.22N [.5LB].
5. PARTS TO BE PACKAGED IN TRAYS.



SECTION "A"- "A"
SCALE 4 : 1



SECTION "B"- "B"
SCALE 4 : 1



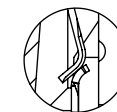
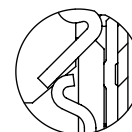
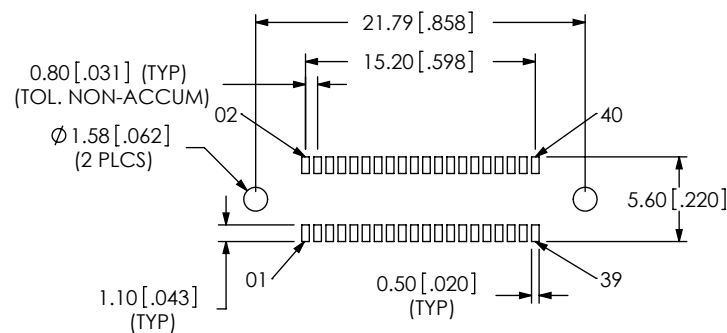
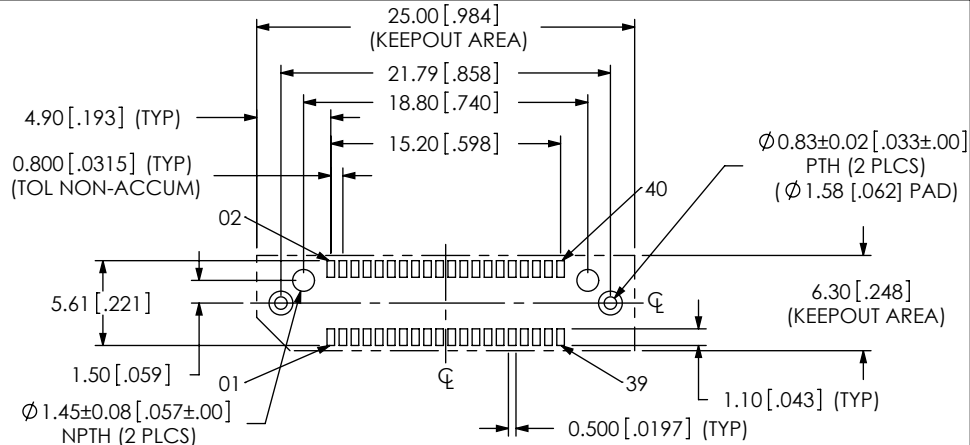
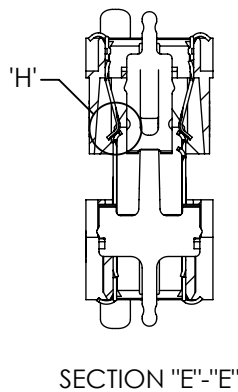
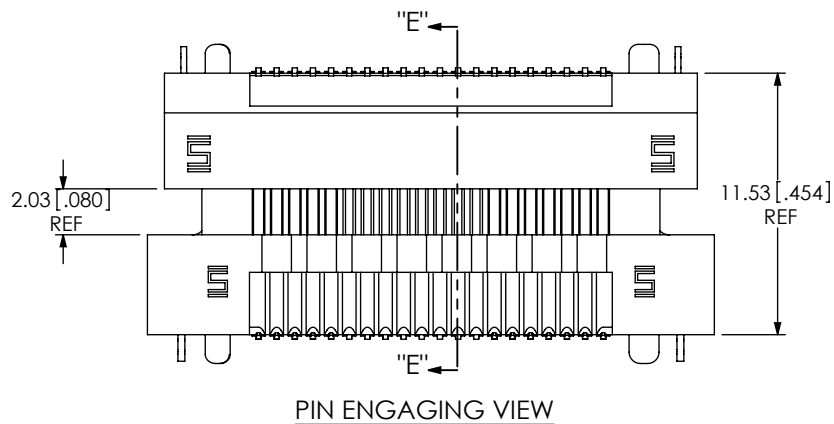
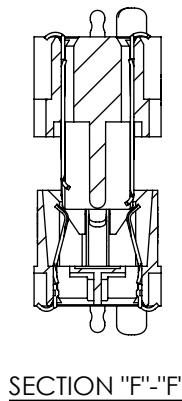
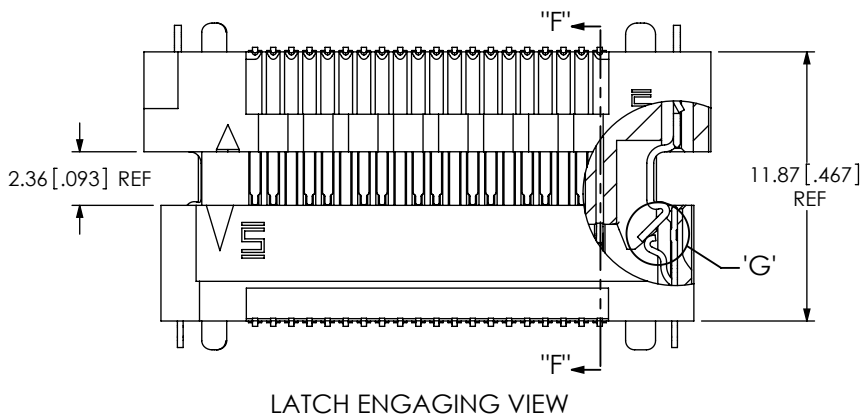
DETAIL "C"
SCALE 8 : 1

UNLESS OTHERWISE SPECIFIED, DIMENSIONS ARE IN MILLIMETERS. TOLERANCES ARE:
 DECIMALS ANGLES
 .X: ±.011 2°
 .XX: ±.13[.005]
 .XXX: ±.051[.0020]

PROPRIETARY NOTE
 THIS DOCUMENT CONTAINS INFORMATION CONFIDENTIAL AND PROPRIETARY TO SAMTEC, INC. AND SHALL NOT BE REPRODUCED OR TRANSFERRED TO OTHER DOCUMENTS OR DISCLOSED TO OTHERS OR USED FOR ANY PURPOSE OTHER THAN THAT WHICH IT WAS OBTAINED WITHOUT THE EXPRESSED WRITTEN CONSENT OF SAMTEC, INC.

samtec
 520 PARK EAST BLVD, NEW ALBANY, IN 47150
 PHONE: 812-944-6733 FAX: 812-948-5047
 e-Mail: info@SAMTEC.com code: 55322

DO NOT SCALE DRAWING SHEET SCALE: 1:0.333333 DESCRIPTION:
 ERF8 ASSEMBLY
 DWG. NO.
 ASP-130367-01
 BY: D FRALEY 03/22/2007 SHEET 1 OF 2



PROPRIETARY NOTE

THIS DOCUMENT CONTAINS INFORMATION CONFIDENTIAL AND PROPRIETARY TO SAMTEC, INC. AND SHALL NOT BE REPRODUCED OR TRANSFERRED TO OTHER DOCUMENTS OR DISCLOSED TO OTHERS OR USED FOR ANY PURPOSE OTHER THAN THAT WHICH IT WAS OBTAINED WITHOUT THE EXPRESSED WRITTEN CONSENT OF SAMTEC, INC.



SHEET SCALE: 3:1

DESCRIPTION: ERF8 ASSEMBLY

DWG. NO. ASP-130367-01

BY: D FRALEY 03/22/2007 SHEET 2 OF 2