

4

3

2

1

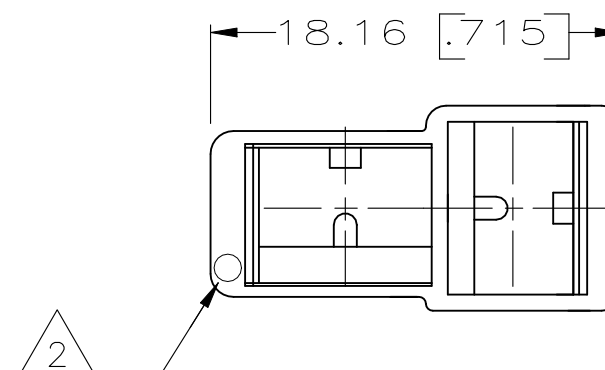
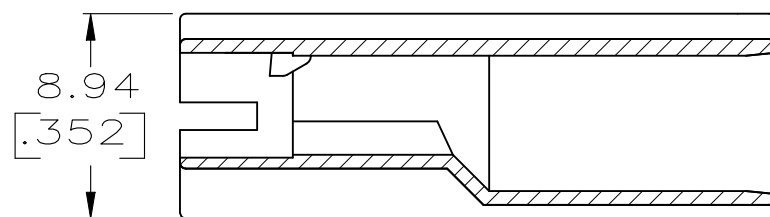
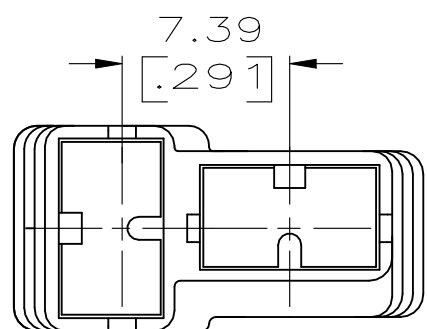
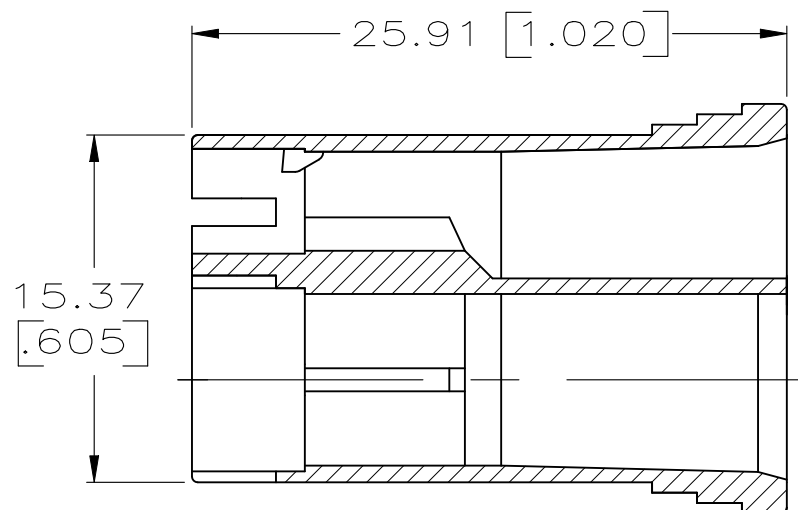
THIS DRAWING IS UNPUBLISHED. RELEASED FOR PUBLICATION

© COPYRIGHT BY TYCO ELECTRONICS CORPORATION. ALL RIGHTS RESERVED.

LOC AF DIST 50

REVISIONS					
P	LTR	DESCRIPTION	DATE	DWN	APVD
	G	REVISED PER ECR-06-029276	22MAY07	HMR	EH
	G1	REVISED PER ECR-22-148111	16AUG22	VA	EMS

- △1 DIMENSIONS IN BRACKETS ARE IN INCHES.
- △2 CAVITY ID.
- △3 GLASS REINFORCED, 25% MAX REGRIND



OBSOLETE -520910-1
PART NO.

THIS DRAWING IS A CONTROLLED DOCUMENT.		DWN JR RUTH 8/19/87	Tyco Electronics Corporation Harrisburg, Pa 17105-3608			
DIMENSIONS: INCHES		CHK G YETTER 8/19/87				
TOLERANCES UNLESS OTHERWISE SPECIFIED:		APVD R KUZO 8/19/87	NAME HOUSING, POSITIVE-LOCK, T-TYPE, .250 SERIES			
0 PLC ± - 1 PLC ± - 2 PLC ± - 3 PLC ± 0.25 [.010] 4 PLC ± - ANGLES ± -		PRODUCT SPEC -	RESTRICTED TO -			
MATERIAL 6/6 NYLON △3		FINISH BLACK	APPLICATION SPEC -	SIZE A3	CAGE CODE 00779	DRAWING NO C-520910
CUSTOMER DRAWING			WEIGHT -	SCALE 3:1	SHEET 1 OF 1	REV G1