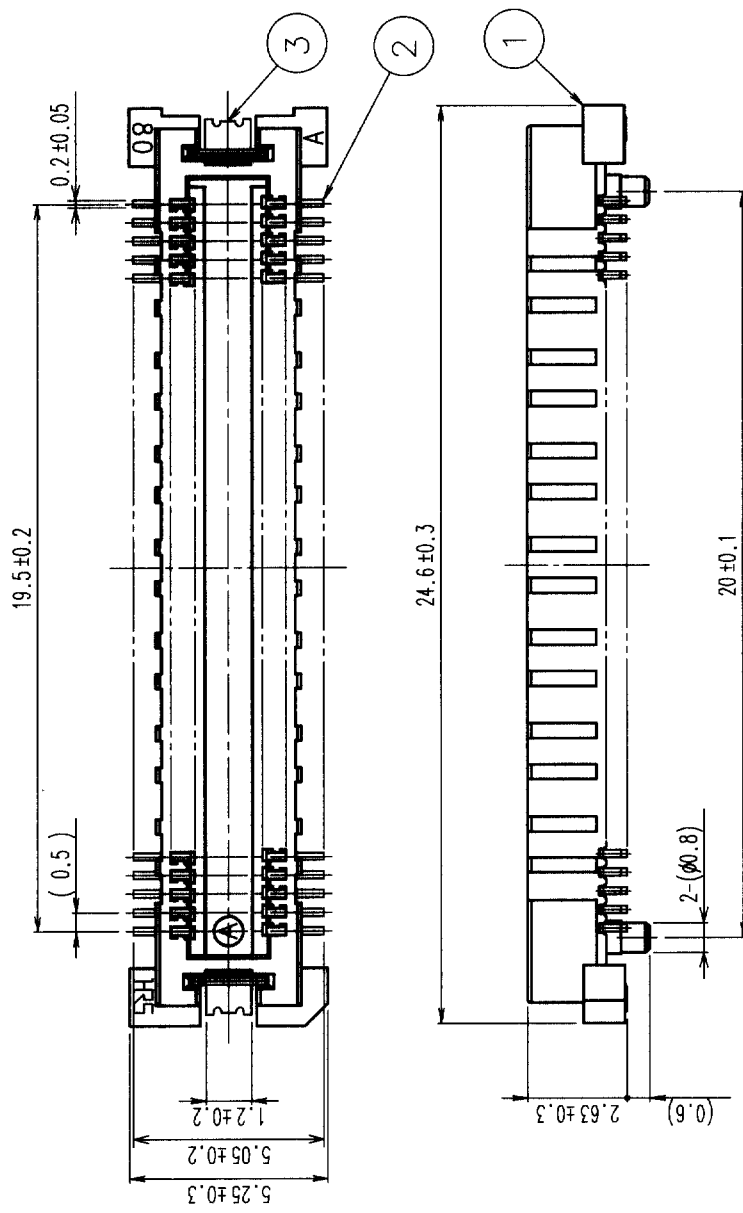
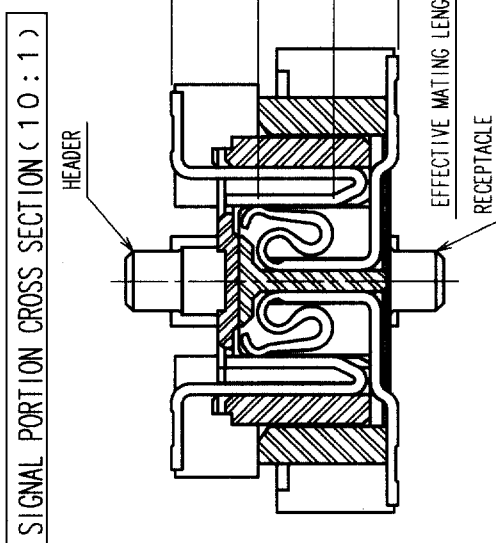
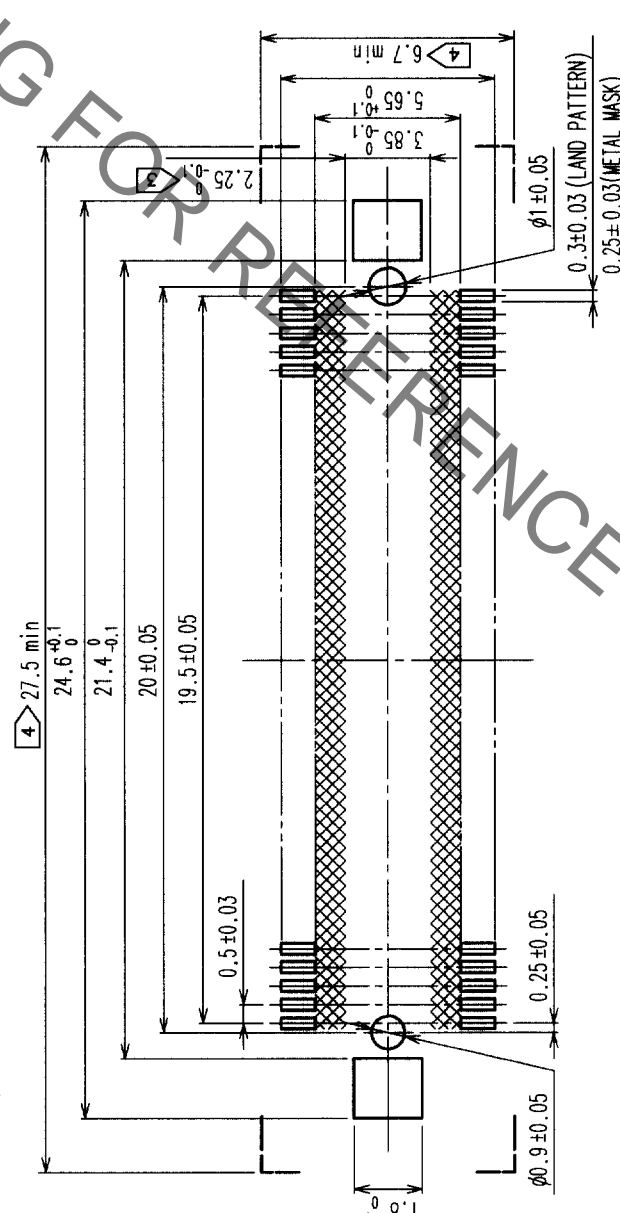


COUNT	DESCRIPTION OF REVISIONS	BY	CHKD	DATE	COUNT	DESCRIPTION OF REVISIONS	BY	CHKD	DATE
△					△				
△					△				
△					△				



RECOMMENDED LAND PATTERN DIMENSION OF PCB



HRS DRAWING FOR REFERENCE

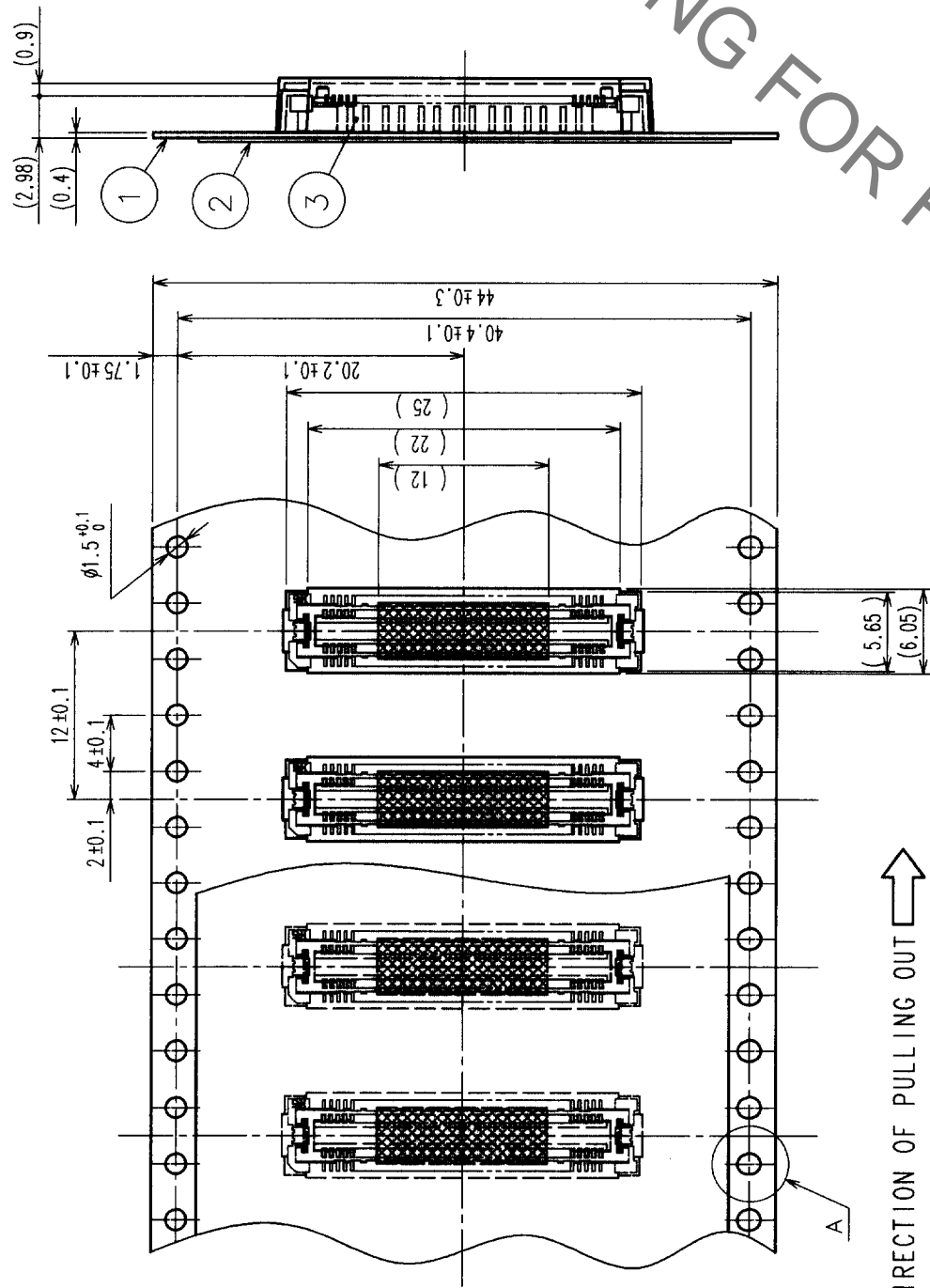
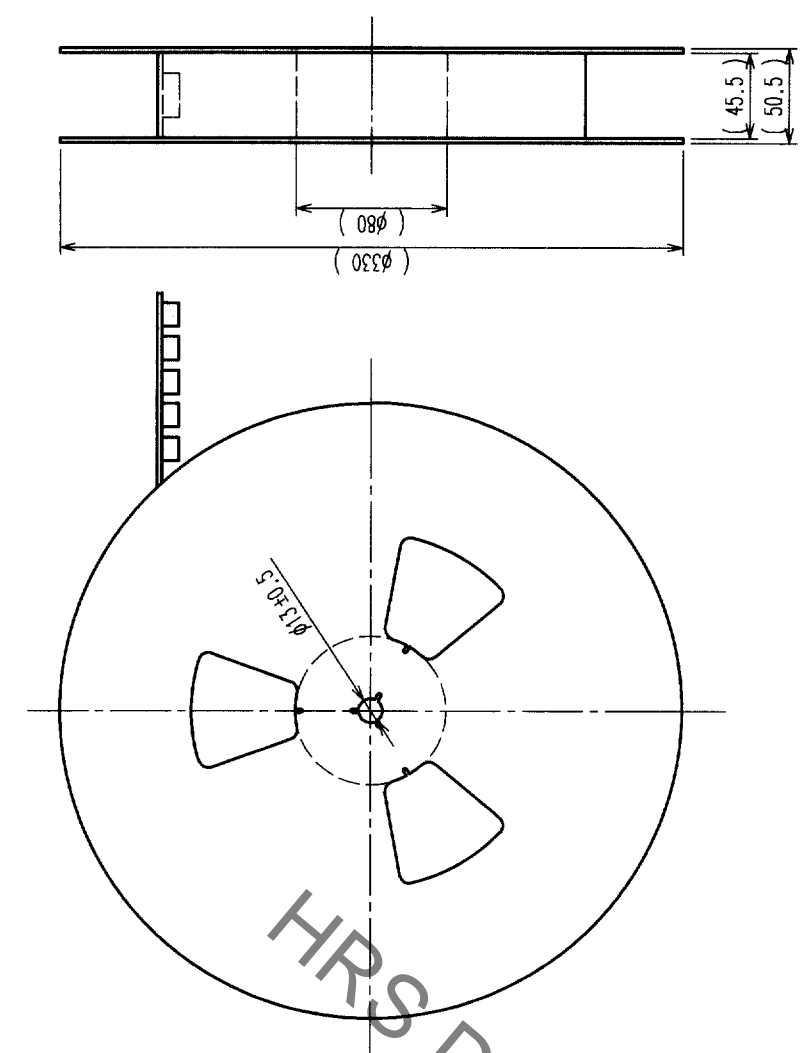
- NOTES 1 SMT LEAD-COPLANARITY: 0.1 MAX.
- 2 THIS PRODUCT HAS NO POLARITY TO PATTERN FOR MOUNTING.
- 3 MAKE SURE WIDTH OF PATTERN IS WITHIN THAT OF LAND, OR LEAD MAY TOUCH PATTERN. (THIS APPLIES TO HATCHED AREA.)
- 4 DO NOT MOUNT OTHER DEVICES ONTO [] AREA, OR MATING PAIR CANNOT BE MATED.
- 5 TO BE EMBOSSED CARRIER TAPED AS SPECIFIED IN SHEET 2.

2	COPPER ALLOY	CONTACT AREA: GOLD (0.1µm) OVER NICKEL LEAD: GOLD FLASH OVER NICKEL	3	PHOSPHOR BRONZE	TIN PLATED
1	LCP	BEIGE UL94V-0			
NO.	MATERIAL	FINISH, REMARKS	NO.	MATERIAL	FINISH, REMARKS
CODE NO. (COLD)	CL		DRAWN	DESIGNED	CHECKED
			<i>M. Yamamoto</i>	<i>H. Okawa</i>	<i>M. Yoshimura</i>
			02-08-07	02-08-07	02-08-07
DRAWING NO.		PART NO.			
EDC3-152626-02		FX11A-80P-SVO.5(22)			
SCALE		CODE NO.			
5 : 1		CL573-0648-5-22			
UNITS		HIRESE ELECTRIC CO., LTD.			
mm					

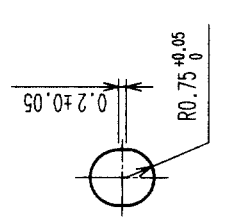
TO
PCK

COUNT	DESCRIPTION OF REVISIONS	BY	CHKD	DATE	COUNT	DESCRIPTION OF REVISIONS	BY	CHKD	DATE
△					△				
△					△				
△					△				

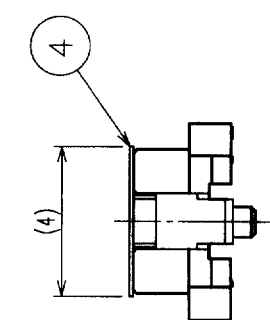
REELED DIMENSION(FREE)



A (5:1)



DETAIL FOR VACUUM PICKUP (5:1)



- NOTES 1 REEL:1000 CONNECTORS.
- 2 MINIMUM 10 COMPARTMENTS FROM BOTH REEL ENDS REMAIN EMPTY.
- 3 THIS PRODUCT HAS NO POLARITY TO TAPE AND REEL PACKAGING.

2	PET	TOP COVER TAPE	4	POLYIMIDE	(TAPE FOR VACUUM PICKUP)
1	PS	EMBOSSED CARRIER TAPE	3	(CONNECTOR)	
NO.	MATERIAL	FINISH, REMARKS	NO.	MATERIAL	FINISH, REMARKS
CODE NO. (OLD)	DRAWN		DESIGNED	CHECKED	APPROVED
CL	H. Nakamura		H. Nakamura	H. Nakamura	J. Johnson
	02-08-07		02-07-07	02-08-07	02-08-07
DRAWING FOR PACKING		PART NO.		RELEASED	
EDC3-152626-02		FX11A-80P-SVO.5(22)			
SCALE		DRAWING NO.		PART NO.	
2:1		EDC3-152626-02		FX11A-80P-SVO.5(22)	
UNITS		CODE NO.		CODE NO.	
MM		HRS HIROSE ELECTRIC CO., LTD		CL573-0648-5-22	
				2	

TO	
PCK	