

10 9 8 7 6 5 4 3 2 1

F

E

D

C

B

A

F

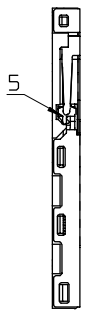
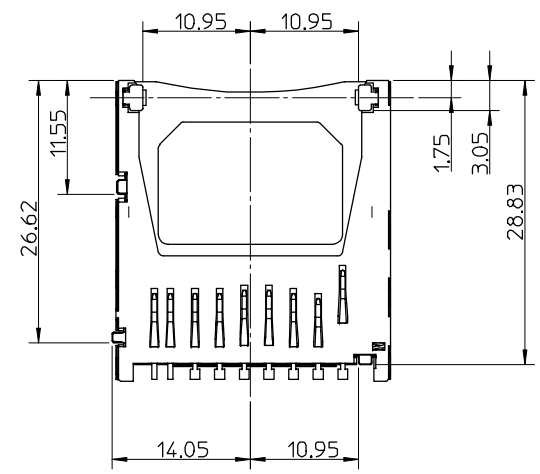
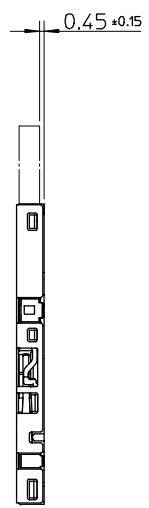
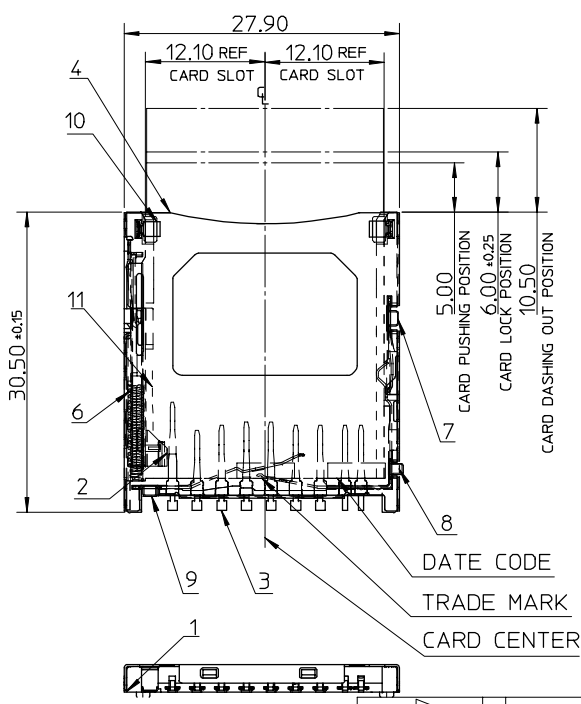
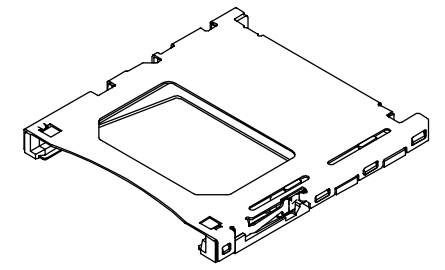
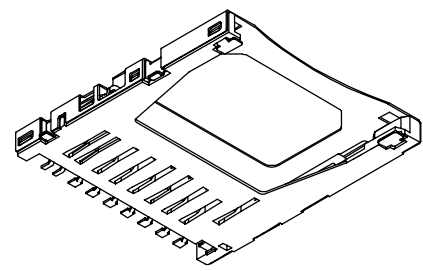
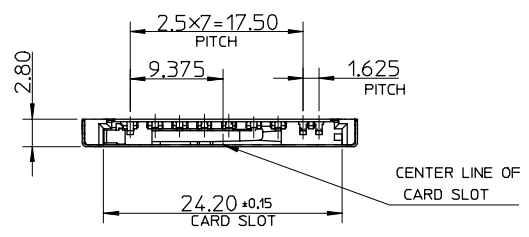
E

D

C

B

A



EC NO: T2002-0280
 DRAWN: CHANG 2002/12/27
 CHKD:
 APPR:

REV	DESCRIPTION
1	QUALITY SYMBOLS
2	GENERAL TOLERANCES (UNLESS SPECIFIED)
3	SCALE 2:1
4	DESIGN UNITS METRIC
5	THIRD ANGLE PROJECTION
6	REVISE ON CAD ONLY
7	TITLE
8	SD MEMORY CARD CONN. ASS'Y (TOP MOUNT TYPE)
9	MATERIAL NO. 67600-0002
10	DOCUMENT NO. SD-67600-0025
11	SHEET NO. SD-67600-C
12	THIS DRAWING CONTAINS INFORMATION THAT IS PROPRIETARY TO MOLEX INCORPORATED AND SHOULD NOT BE USED WITHOUT WRITTEN PERMISSION

PLACES	mm	INCH
4 PLACES	± ---	± ---
3 PLACES	± ---	± ---
2 PLACES	± 0.25	± ---
1 PLACE	± 0.25	± ---
ANGULAR ± 3 °		
DRAFT WHERE APPLICABLE		
MUST REMAIN WITHIN DIMENSIONS		

DIMENSION STYLE	DATE
MM ONLY	20020304
DRAWN BY	MAX
CHECKED BY	WILSON
APPROVED BY	ERICK

TITLE	MATERIAL NO.	DOCUMENT NO.	SHEET NO.
SD MEMORY CARD CONN. ASS'Y (TOP MOUNT TYPE)	67600-0002	SD-67600-0025	SD-67600-C
MOLEX INCORPORATED			
THIS DRAWING CONTAINS INFORMATION THAT IS PROPRIETARY TO MOLEX INCORPORATED AND SHOULD NOT BE USED WITHOUT WRITTEN PERMISSION			

9 8 7 6 5 4 3 2 1

