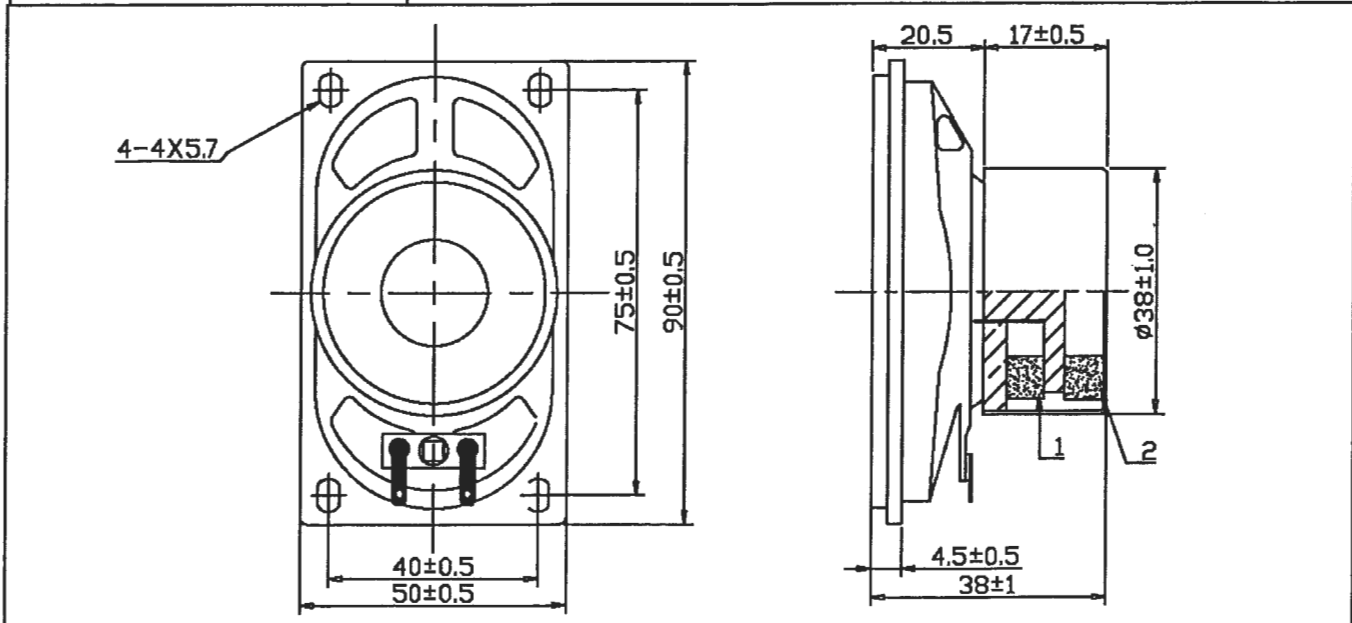


INTERVOX Speakers from International ©

215 McCormick Drive, Bohemia, NY 11716 (631)952-9595 Fax: (631) 952-9597 e-mail: oemsales@icc107.com

Code No. G82

ICC Part No.	S20X35VFS-2W (RoHS Compliant)	
1. Size	50 X 90mm	2 x 3.5 inches
2. Magnet	Size: 1 @ 32 X 18 X 6mm	1 @ 32 X 16 X 6mm
3. Total Weight	105 grams	
4. Power Rating	Nominal Power Rating: 2 W	Peak Music Power: 5 W
5. Voice Coil Impedance	8 Ω ± 15% Ω	
6. Buzz & Rattles	Must not be evident	
7. Resonant Frequency	240Hz ± 20%Hz	at FO Hz 1V
8. S.P.L.	86dB ± 3dB	1W 0.5M average of 0.6, 0.8, 1.0, 1.2 KHz
9. Response	FO ~ 18KHz Dev. 20dB max.	1W 0.5M
10. Distortion	5% Maximum	1W 0.5M
11. Load Test	The speaker shall meet item 6 after test.	2W 8H White Noise (EIA FILTER)
12. Humidity Test	The speaker shall meet items 6, 7 & 10 after test.	40°C 90-95% R.H. 8H
13. Heat Test		70° C 20~50 % R.H. 8 Hrs.
14. Operating Temperature	-20° to +60° C	
15. Storage Temperature	-30° to +70° C	
16. Polarity	With positive voltage applied to (+) terminal, the cone shall move away from pole piece.	



INTERVOX Speakers from International ©

Model No. S20X35VFS-2W (RoHS Compliant)

Code: G82

A: Frequency Response, Magn dB re 20.00 μ Pa/V

