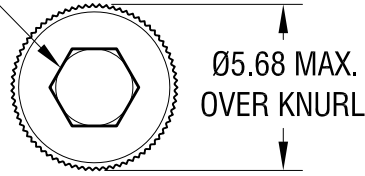
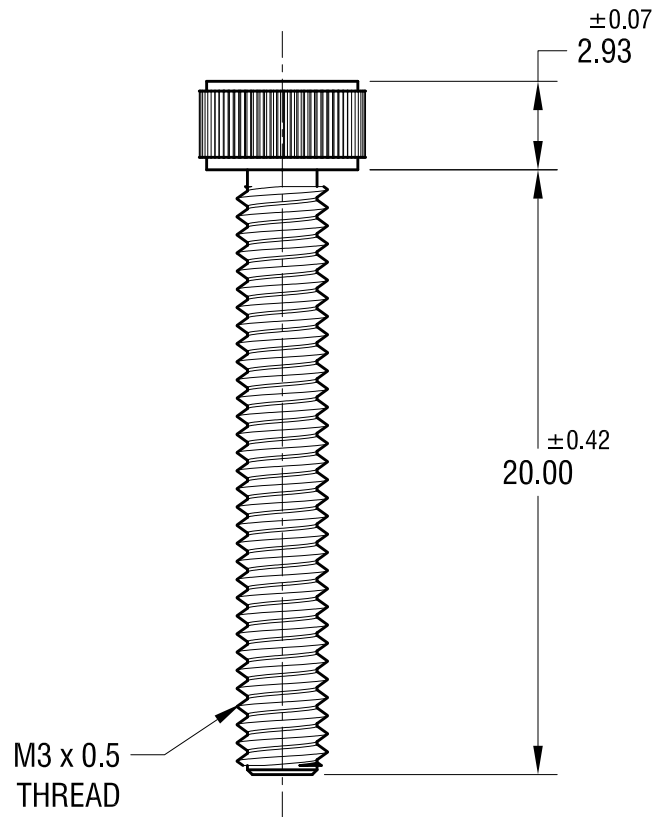
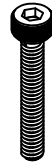


THIS DOCUMENT IS THE PROPERTY OF  
KEYSTONE ELECTRONICS CORP. AND  
SHALL NOT BE REPRODUCED, DISTRIBUTED  
OR USED AS A BASIS FOR MANUFACTURE  
WITHOUT PRIOR WRITTEN PERMISSION  
FROM KEYSTONE ELECTRONICS CORP.

KEY SIZE FOR  
2.5 HEX.



ACTUAL SIZE



**NOTE:**

1. ALL DIMENSIONS ARE IN MILLIMETERS

|  |            |                   |              |
|--|------------|-------------------|--------------|
| <b>KEYSTONE ELECTRONICS CORP.</b>                              |            |                   |              |
| www.keyelco.com • NEW HYDE PARK, NY 11040 • Tel (516) 328-7500 |            |                   |              |
| PART NAME  |            | SOCKET HEAD SCREW |              |
| MATERIAL   |            | TITANIUM, GRADE 2 |              |
| FINISH   | NONE       | DRN BY            | NT           |
|  |            | DATE              | 10.31.19     |
|  |            | APP'D             | RH           |
|  |            | SCALE             | 4X           |
| TOLERANCES   | INCH [MM]  | CODE              | DWG NO.      |
| DECIMAL  | ± [± 0.13] | C                 | <b>25033</b> |
| ANGULAR  | ± 1°       |                   |              |
| UNLESS OTHERWISE SPECIFIED                                     |            |                   |              |

|      |             |      |
|------|-------------|------|
| DATE | DESCRIPTION | REV. |
|      |             |      |