

LC SIMPLEX PC MULTIMODE ADAPTOR
ZIRCONIA ALIGNMENT SLEEVE

Packaging
100

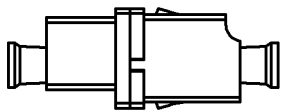
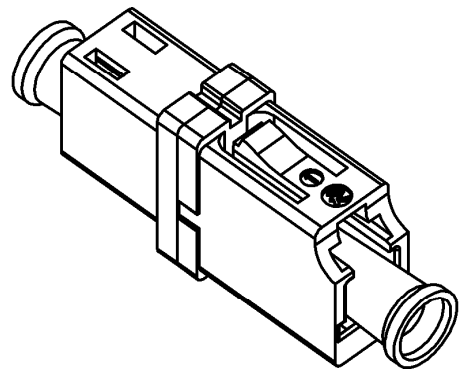
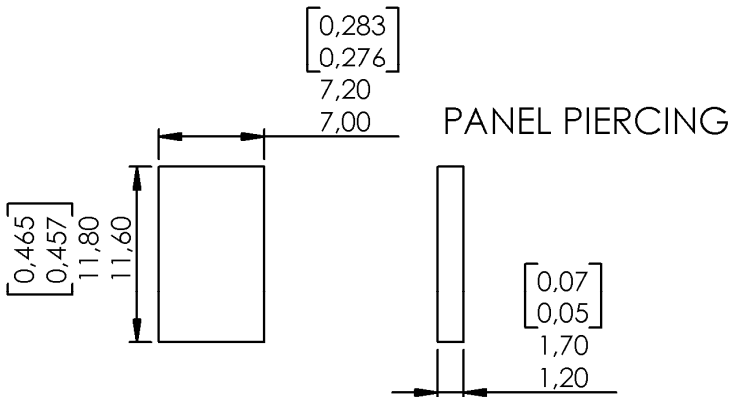
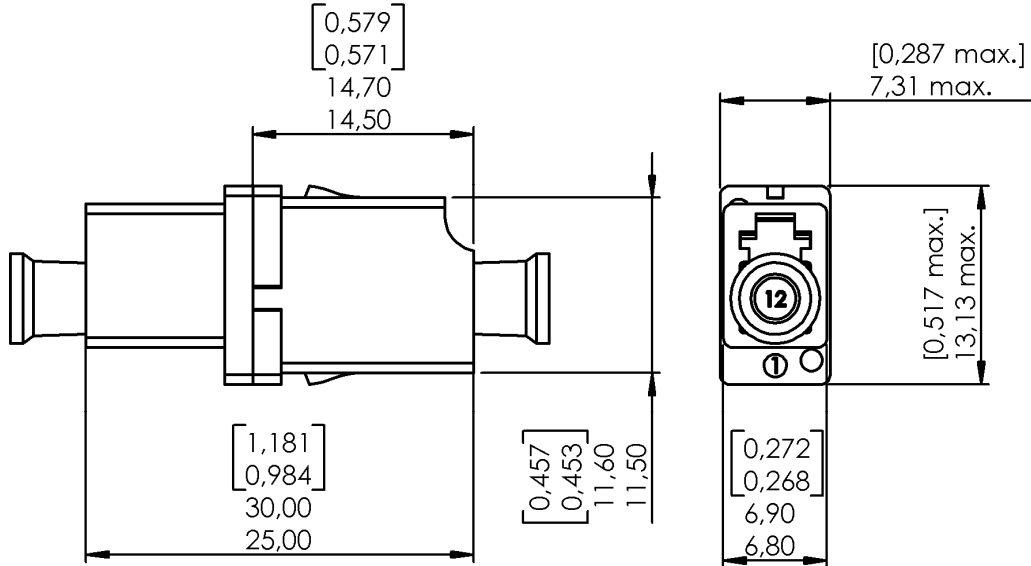
Series
LC

Issue
05/02/2011

Page
1 / 2

Adaptor : color AQUA

Simplex



Scale : 1/1

- Contents :
- Low profile simplex adaptor
 - Receptacle dust cap
 - Sleeve

Original dimensions in mm [inch]

LC SIMPLEX PC MULTIMODE ADAPTOR
 ZIRCONIA ALIGNMENT SLEEVE

 Packaging
 100

 Series
 LC

 Issue
 05/02/2011

 Page
 2 / 2

Adaptor : color AQUA

Simplex

GENERAL

- TYPE** IEC 61754-20 (LC)
 RJ-45 latching system
 Receptacle color : AQUA
- MOUNTING** Snap-in mounting
 Max. panel thickness 1.7 mm
- ALIGNMENT SLEEVE** Zirconia

CHARACTERISTICS (Depending on fibre or cable construction)

- MATERIAL** Plastic molded : Material in accordance with TELCORDIA GR-326 CORE
 Inflammability V0 (UL 94)
- MECHANICAL** Durability 200 cycles
 Plug Retention 68 N
- ENVIRONMENTAL** Storage temperature range -40 °C to +85 °C
 Operating temperature range -40 °C to +70 °C
- PROOF TEST** Straight pull 68 N
 Side pull 23 N
- VIBRATION TEST** 10 to 55 Hz, 1,5 mm (peak to peak), 2 Hr/axis

(Performance and specification : see document GEN - F727 001)