



MIC4606 Evaluation Board

85V Full-Bridge MOSFET Drivers with Adaptive Dead Time and Shoot-Through Protection

General Description

The MIC4606 is an 85V full-bridge MOSFET driver that features adaptive dead time and shoot-through protection. The adaptive dead time circuitry actively monitors both sides of the full-bridge to minimize the time between high-side and low-side MOSFET transitions, thus maximizing power efficiency. Anti-shoot-through circuitry prevents erroneous inputs and noise from turning both MOSFETS of each side of the bridge on at the same time.

The MIC4606 also offers a wide 5.5V to 16V operating supply range to maximize system efficiency. The low 5.5V operating voltage allows longer run times in battery-powered applications. Additionally, the MIC4606's adjustable gate drive sets the gate drive voltage to VDD for optimal MOSFET $R_{DS(ON)}$, which minimizes power loss due to the MOSFET's $R_{DS(ON)}$.

Requirements

The evaluation board requires a 5.5V to 16V power supply to power the VDD terminal (J1) of the MIC4606. Another supply (up to 85V) may be used to power the MOSFETs connected to the VIN terminal (J2). A pulse generator or the output of a PWM control IC may be connected to the HI and LI terminals (MIC4606-1), or PWM single input (MIC4606-2).

Precautions

There is no reverse input protection on this board. When connecting the input sources, make sure that the correct polarity is observed.

Under extreme load conditions and with a high supply voltage (>48V) connected to the VIN terminal (J2), input transients can be quite large if long test leads are used. In such cases a 100 μ F, 100V electrolytic capacitor is needed across the VIN terminals to prevent overvoltage damage to the IC. This can be removed if a clean supply voltage on VIN is always guaranteed.

Datasheets and support documentation are available on Micrel's web site at: www.micrel.com.

Getting Started

1. **Connect VIN supply between the VIN and GND terminals and VDD supply between the VDD and GND terminals.**

Connect a supply between the VIN terminal (J8) and the GND terminal (J9), paying careful attention to polarity and supply range ($VIN \leq 85V$). Do not apply power until Step 5. Connect a supply between the VDD terminal (J1) and the GND terminal (J2), paying careful attention to polarity and supply range ($5.5V \leq VDD < 16V$). Do not apply power until Step 5.

2. **Connect the TTL-compatible HI and LI inputs (MIC4606-1), or the PWM single input (MIC4606-2).**

Connect the xHI inputs (JP1/JP4) and xLI inputs (JP2/JP3) to a pulse generator or the output of a PWM control IC. Ensure that they are non-overlapping signals and are TTL compatible logic-levels. The xPWM single inputs replace the xHI inputs (JP1/JP4) for the MIC4606-2 option.

3. **Monitor inputs and outputs.**

Monitor the inputs xHI (JP1/JP4) and xLI (JP2/JP3) or xPWM (JP1/JP4) and outputs xHO (JP6, JP5) and xLO (JP7, JP8) with an oscilloscope.

4. **Connect motor across HS and GND or connect HS to GND.**

The simplest way to observe the MIC4606 operation is to connect a motor across the xHS terminals (J10 to J11), or across either xHS terminal (J10/J11) to GND (J9). Alternatively, the xHS terminals (J10/J11) can be shorted to GND (J9) with VIN turned OFF. AC/DC parameters can be measured in this configuration.

5. **Turn-on supplies and HI/LI inputs.**

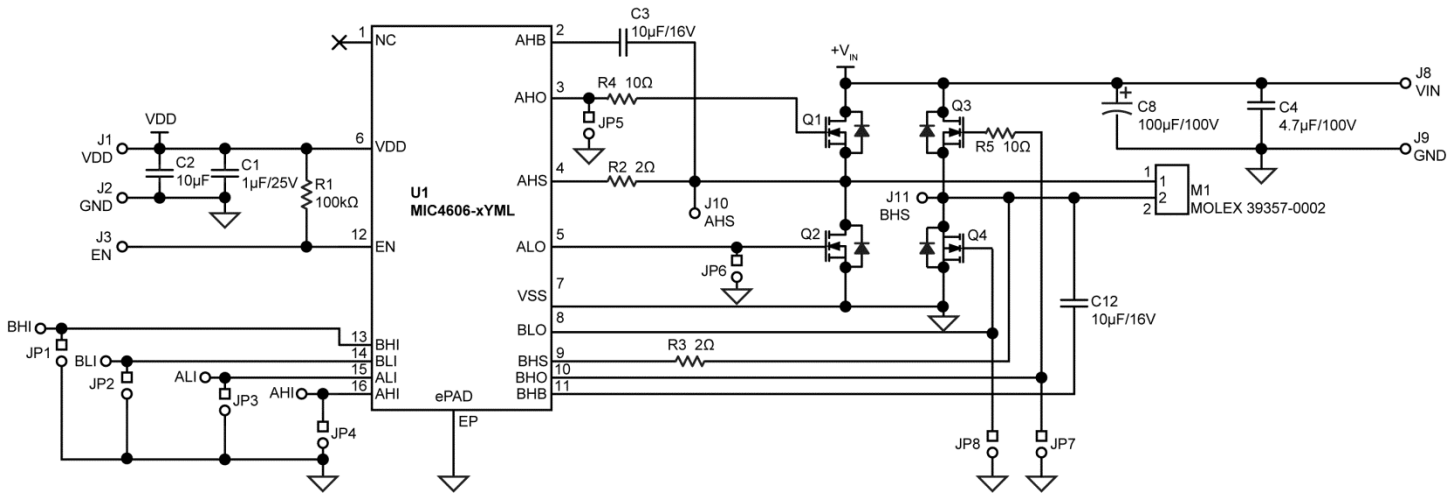
Turn-on the VDD followed by VIN. Turn on the xHI and xLI inputs (MIC4606-1) or PWM single inputs (MIC4606-2)

'x' denotes Channel A or B

Ordering Information

Part Number	Description
MIC4606-1YML EV	MIC4606-1YML Evaluation Board
MIC4606-2YML EV	MIC4606-2YML Evaluation Board

Evaluation Board Schematic



Bill of Materials

Item	Part Number	Manufacturer	Description	Qty.
C1	06033D105MAT2A	AVX ⁽¹⁾	1µF Ceramic Capacitor, 25V, X5R, Size 0603	1
C2	C1608X5R1C106M080AB	TDK ⁽²⁾	10µF Ceramic Capacitor, 16V, X5R, Size 0603	1
C3, C12	0805YD106MAT2A	AVX	10µF Ceramic Capacitor, 16V, X5R, Size 0805	2
C4	C3225X7S2A475M200AB	TDK	4.7µF Ceramic Capacitor, 100V, X7S, Size 1210	1
C8	B41827A9107M	EPCOS ⁽³⁾	100µF Aluminum Electrolytic Capacitor, 100V	1
Q1, Q2, Q3, Q4	AM7414	Analog Power ⁽⁴⁾	100V, N-Channel MOSFET	4
R1	CRCW06031002FRT1	Vishay ⁽⁵⁾	100kΩ, Tolerance 1%, Size 0603	1
R2, R3	CRCW08052R0FRT1	Vishay	2Ω, Size 0805	2
R4, R5	CRCW08050100FRT1	Vishay	10Ω, Size 0805	2
U1	MIC4606-1YML	Micrel, Inc. ⁽⁶⁾	85V Full-Bridge MOSFET Drivers with Adaptive Dead Time and Shoot-Through Protection	1
	MIC4606-2YML			1

Notes:

1. AVX: www.avx.com.
2. TDK: www.tdk.com.
3. EPCOS: www.epcos.com.
4. Analog Power: www.analogpowerinc.com.
5. Vishay: www.vishay.com.
6. Micrel, Inc.: www.micrel.com.

MICREL, INC. 2180 FORTUNE DRIVE SAN JOSE, CA 95131 USA
TEL +1 (408) 944-0800 FAX +1 (408) 474-1000 WEB <http://www.micrel.com>

Micrel, Inc. is a leading global manufacturer of IC solutions for the worldwide high-performance linear and power, LAN, and timing & communications markets. The Company's products include advanced mixed-signal, analog & power semiconductors; high-performance communication, clock management, MEMs-based clock oscillators & crystal-less clock generators, Ethernet switches, and physical layer transceiver ICs. Company customers include leading manufacturers of enterprise, consumer, industrial, mobile, telecommunications, automotive, and computer products. Corporation headquarters and state-of-the-art wafer fabrication facilities are located in San Jose, CA, with regional sales and support offices and advanced technology design centers situated throughout the Americas, Europe, and Asia. Additionally, the Company maintains an extensive network of distributors and reps worldwide.

Micrel makes no representations or warranties with respect to the accuracy or completeness of the information furnished in this datasheet. This information is not intended as a warranty and Micrel does not assume responsibility for its use. Micrel reserves the right to change circuitry, specifications and descriptions at any time without notice. No license, whether express, implied, arising by estoppel or otherwise, to any intellectual property rights is granted by this document. Except as provided in Micrel's terms and conditions of sale for such products, Micrel assumes no liability whatsoever, and Micrel disclaims any express or implied warranty relating to the sale and/or use of Micrel products including liability or warranties relating to fitness for a particular purpose, merchantability, or infringement of any patent, copyright, or other intellectual property right.

Micrel Products are not designed or authorized for use as components in life support appliances, devices or systems where malfunction of a product can reasonably be expected to result in personal injury. Life support devices or systems are devices or systems that (a) are intended for surgical implant into the body or (b) support or sustain life, and whose failure to perform can be reasonably expected to result in a significant injury to the user. A Purchaser's use or sale of Micrel Products for use in life support appliances, devices or systems is a Purchaser's own risk and Purchaser agrees to fully indemnify Micrel for any damages resulting from such use or sale.

© 2014 Micrel, Incorporated.