



ANATECH ELECTRONICS INC
RF & Microwave Filters & Products

1848 MHz Cavity Bandpass Filter

Part Number: AE1848B9814



Electrical Specifications

Center Frequency: 1848 MHz
Bandwidth: 1 MHz
Passband : 1847 MHz to 1848 MHz
Insertion loss: < 4dB
Return Loss: >15dB
Impedance: 50 Ohms
Rejection: <50dB @ 0-1823 MHz
Rejection2: <50dB @ 1873MHz to 6000 MHz

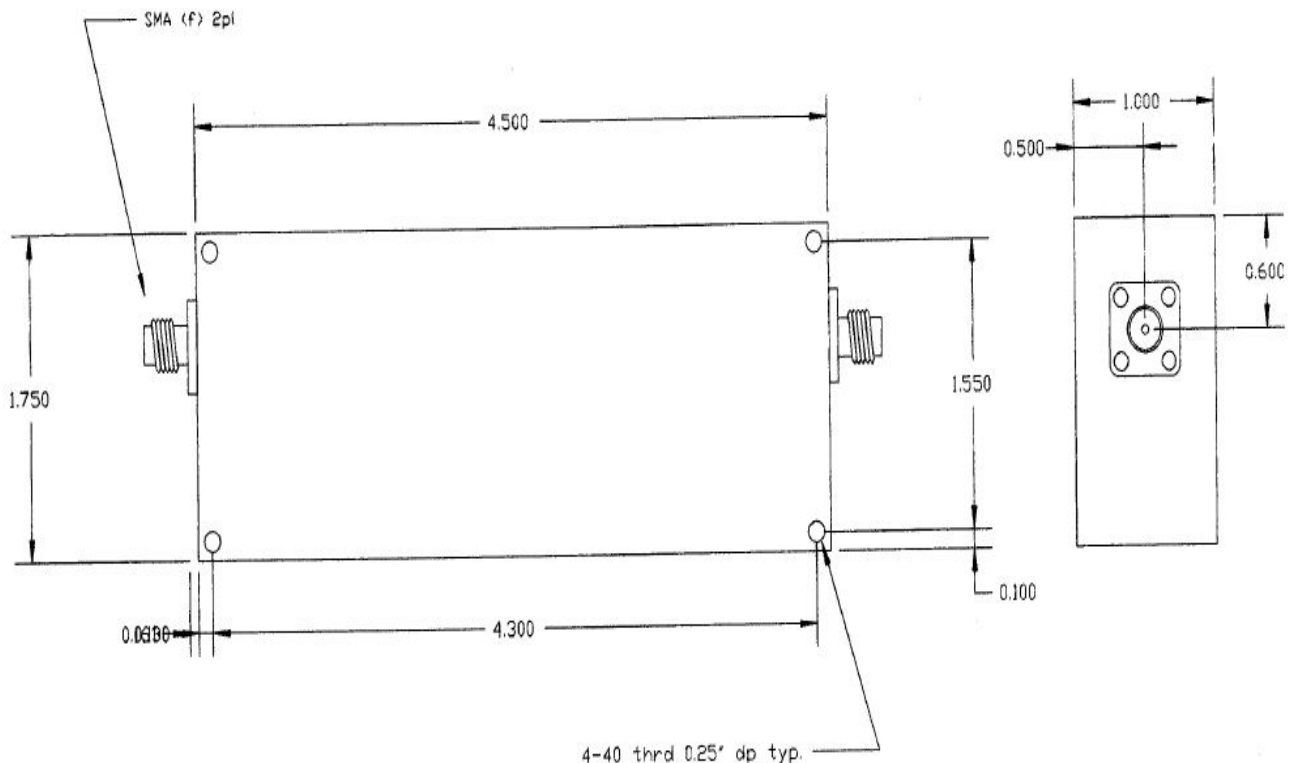
Mechanical

Mounting Method: Threaded Mounting Holes
Connector Type: SMA(Female)
Dimensions: 4.50" X 1.750" x 1.0" in.

Environmental

Operating Temperature: -25°C to +70°C
Storage Temperature: -40°C to +90°C
Shock: 20 G. 11ms
Vibration: 20 G. 5 to 200Hz

Outline Drawing:





Response Plot:

