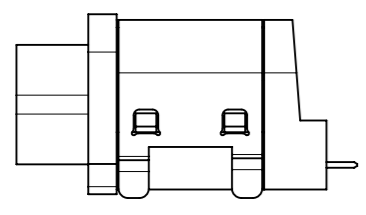
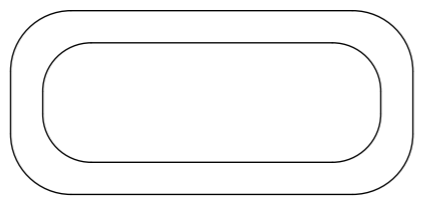


TABLE 1

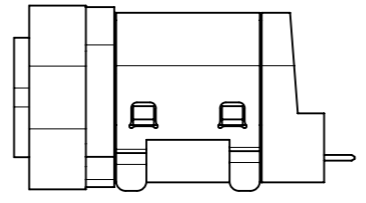
PART NUMBER	PCS/REEL	REEL/BOX	PCS/BOX	REMARK
Connector:2171770001	800	6	4800	Assemble 2171766666 after reflow
Sealing O-RING:2171766666	800	6	4800	Assembled on 2171770001



PART NO : 2171770001
Step 1:Connector Reflow soldering on PCB

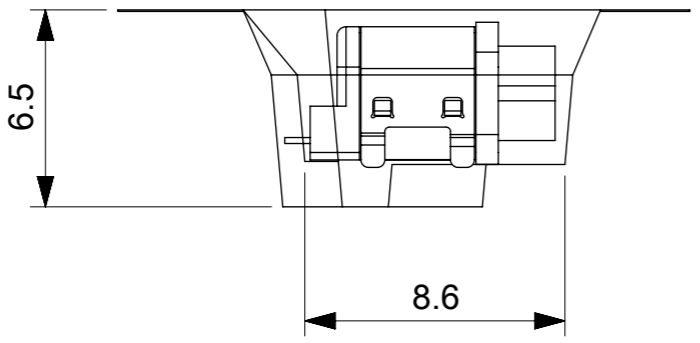
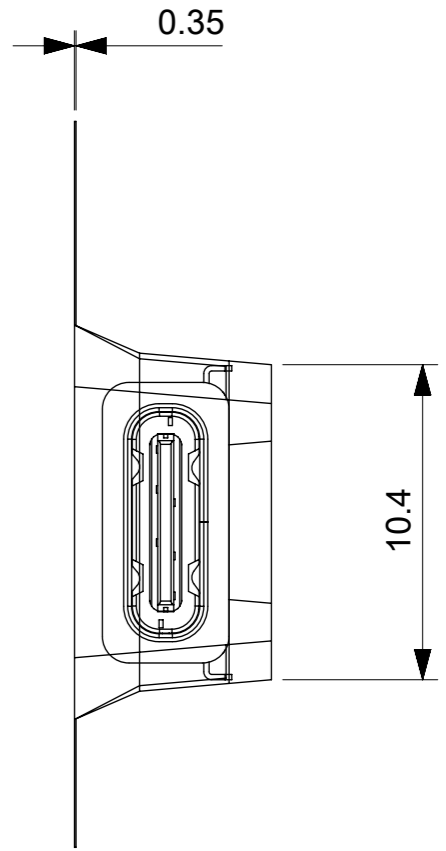
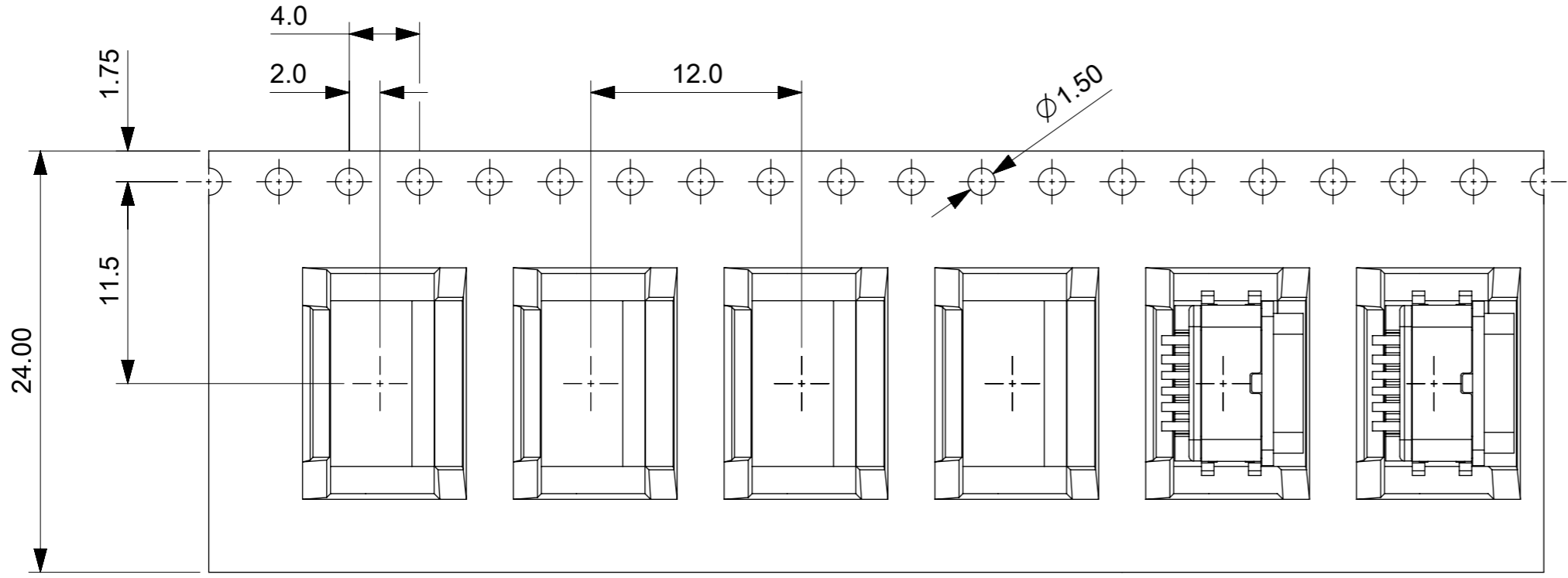


PART NO : 2171766666
Step 2: ind sealing O-ring in carton



Schematic diagram
Step 3:Assembled O-ring on connector

THIS DRAWING CONTAINS INFORMATION THAT IS PROPRIETARY TO MOLEX ELECTRONIC TECHNOLOGIES, LLC AND SHOULD NOT BE USED WITHOUT WRITTEN PERMISSION															
DIMENSION UNITS		SCALE		CURRENT REV DESC: ADD PACKAGE OF O-RING.											
mm		1:1													
GENERAL TOLERANCES (UNLESS SPECIFIED)															
ANGULAR TOL ± 3.0°				PACKAGE FOR TYPE C 6PIN MIDDLE MOUNT											
4 PLACES ±		0.1		PACKAGING DESIGN DRAWING											
3 PLACES ±		0.2		EC NO: 701020 DRWN: FYANG05 CHK'D: RLI09 APPR: RLI09 2022/03/25 2022/03/30 2022/03/30											
2 PLACES ±		0.3		INITIAL REVISION:											
1 PLACE ±		0.3		DRWN: RZHANG APPR: AYIN 2021/02/17 2021/02/22											
0 PLACES ±				DOCUMENT NUMBER		DOC TYPE		DOC PART		REVISION					
DRAFT WHERE APPLICABLE MUST REMAIN WITHIN DIMENSIONS				THIRD ANGLE PROJECTION		DRAWING		SERIES		MATERIAL NUMBER		CUSTOMER		SHEET NUMBER	
						A3-SIZE		217177		2171770001		SEE CHART		1 OF 2	



NOTES:
 1.MATERIAL:CARRIER:PET/TRANSPARENCY
 2.THICKNESS:0.35±0.05MM

THIS DRAWING CONTAINS INFORMATION THAT IS PROPRIETARY TO MOLEX ELECTRONIC TECHNOLOGIES, LLC AND SHOULD NOT BE USED WITHOUT WRITTEN PERMISSION									
DIMENSION UNITS	SCALE	CURRENT REV DESC: ADD PACKAGE OF O-RING.							
mm	1:1								
GENERAL TOLERANCES (UNLESS SPECIFIED)									
ANGULAR TOL	± 3.0 °	PACKAGE FOR TYPE C 6PIN MIDDLE MOUNT							
4 PLACES	±	PACKAGING DESIGN DRAWING							
3 PLACES	± 0.1	EC NO: 701020	2022/03/25	DOCUMENT NUMBER: 2171770001 DOC TYPE: PDD DOC PART: PK1 REVISION: B					
2 PLACES	± 0.2	DRWN: FYANG05	2022/03/30						
1 PLACE	± 0.3	CHK'D: RLI09	2022/03/30						
0 PLACES	±	APPR: RLI09	2022/03/30	INITIAL REVISION:		MATERIAL NUMBER		CUSTOMER	
DRAFT WHERE APPLICABLE MUST REMAIN WITHIN DIMENSIONS		DRWN: RZHANG	2021/02/17	217177		SEE CHART		SHEET NUMBER	
		APPR: AYIN	2021/02/22	A3-SIZE				2 OF 2	
		THIRD ANGLE PROJECTION	DRAWING	SERIES					
				217177					