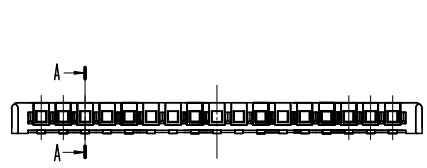
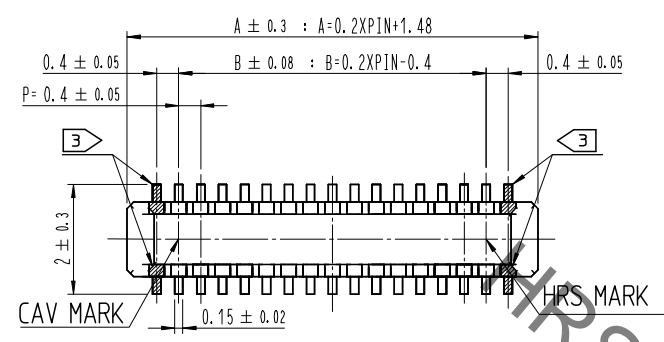
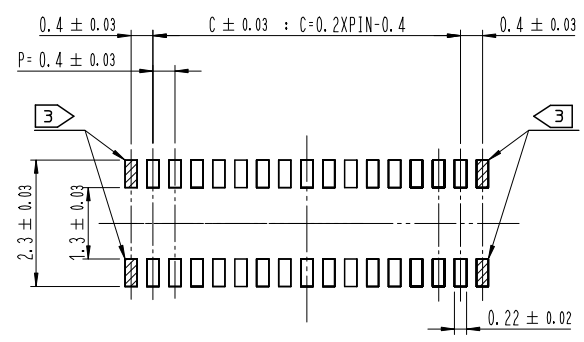


May.1.2023 Copyright 2023 HIROSE ELECTRIC CO., LTD. All Rights Reserved.
 use of consideration for using Automotive equipment / device which demand high reliability, kindly contact our sales window correspond

COUNT	DESCRIPTION OF REVISIONS	B	Y	CHKD	DATE	COUNT	DESCRIPTION OF REVISIONS	B	Y	CHKD	DATE
△						△					
△						△					
△						△					

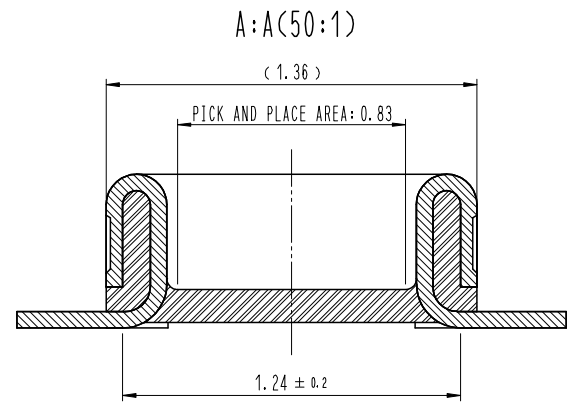


4 RECOMMENDED PATTERN

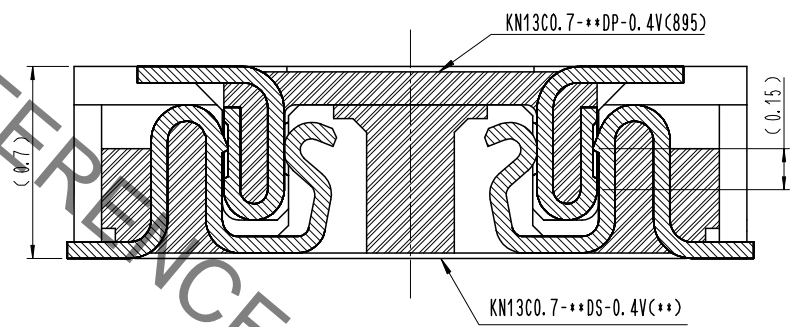


4 RECOMMENDED SOLDER PASTE: THICKNESS 100 μm

PART No.	CODE No.	PIN	A	B	C
KN13CO.7-10DP-0.4V(895)	-	10	3.48	1.6	1.6
KN13CO.7-16DP-0.4V(895)	-	16	4.68	2.8	2.8
KN13CO.7-24DP-0.4V(895)	-	24	6.28	4.4	4.4
KN13CO.7-30DP-0.4V(895)	-	30	7.48	5.6	5.6



ENGAGEMENT FIGURE (50:1)



- NOTE
- 1. ALL LEAD CO-PLANARITY SHALL BE 0.08mm MAX.
 - 2. CONTACT PLATING SPECIFICATIONS.
 CONTACT AREA : GOLD 0.05 μm MIN.
 SMT LEAD : GOLD 0.05 μm MIN.
 UNDER PLATING : NICKEL 1 μm MIN.
 (SURFACE : SEALING)
 - 3. EACH CONTACTS 4 CORNERS ARE PROVIDED FOR METAL FITTINGS.
 (NOT FOR ELECTRICAL CONNECTION)
 - 4. PLEASE CONTACT US IN CASE YOU WILL MAKE DIFFERENT SETTINGS FROM OUR RECOMMENDATION.

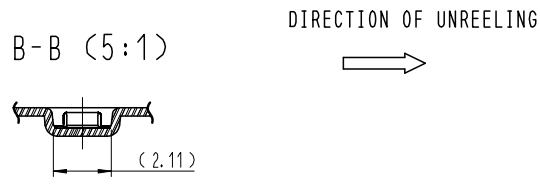
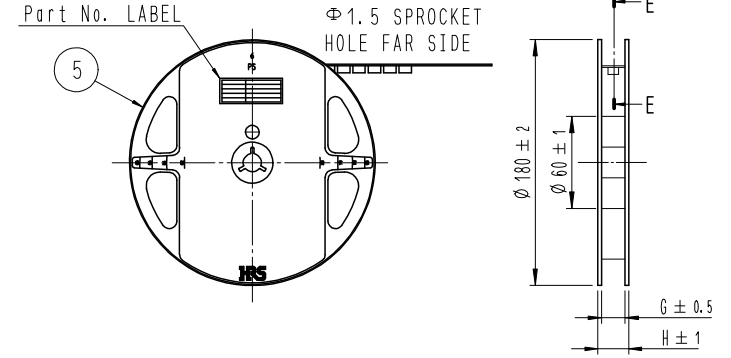
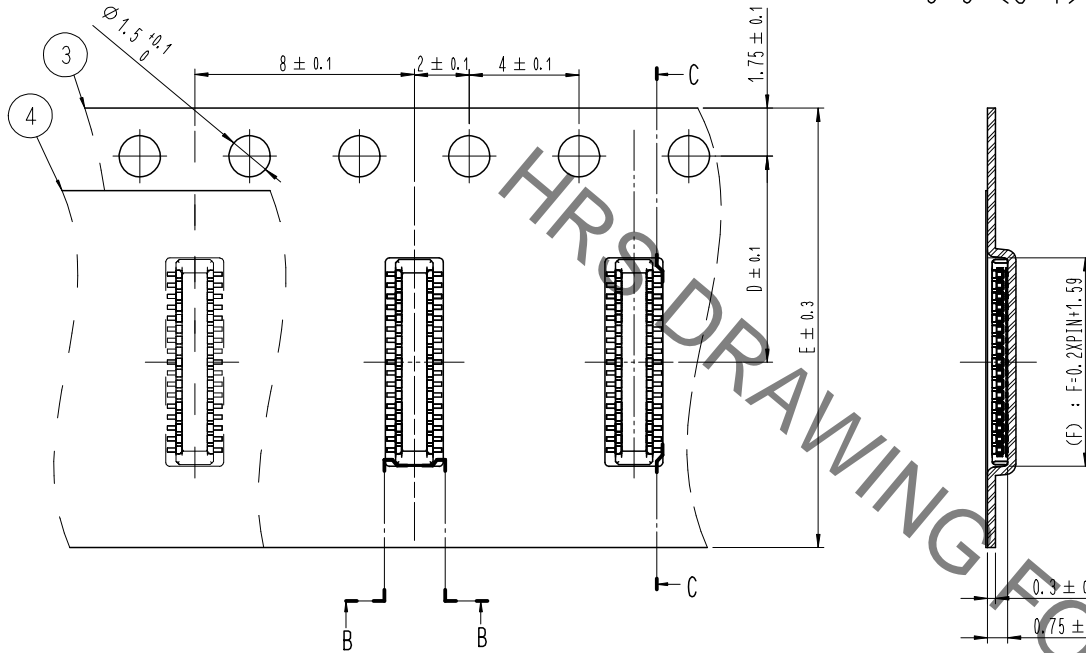
3	PS	CLEAR (EMBOSSED CARRIER TAPE)			
2	COPPER ALLOY	2	5	PS	BLACK (PLASTIC REEL)
1	LCP	UL94 V-0, BLACK	4	POLYESTER	CLEAR (COVER TAPE)
NO.	MATERIAL	FINISH, REMARKS	NO.	MATERIAL	FINISH, REMARKS
REMARKS			DRAWN	DESIGNED	CHECKED
			S. G. PARK	S. G. PARK	H. W. JO
			21.02.24	21.02.24	21.02.24
			APPROVED	RELEASED	
			H. W. JO	21.02.24	21.02.24
CODE NO. (OLD)	DRAWING NO.	EDC3-633319	PART NO.	KN13CO.7-**-DP-0.4V(895)	
SCALE	10:1		CODE NO.	CL 66**-*****-895	
UNITS	mm				1/2
HRS HIROSE KOREA CO., LTD.					

May.1.2023 Copyright 2023 HIROSE ELECTRIC CO., LTD. All Rights Reserved.
 use of consideration for using Automotive equipment / device which demand high reliability, kindly contact our sales window correspond

EMBOSSED CARRIER TAPE PACKAGING (5:1)

C-C (5:1)

STYLE AND DIMENTION OF REEL (FREE)

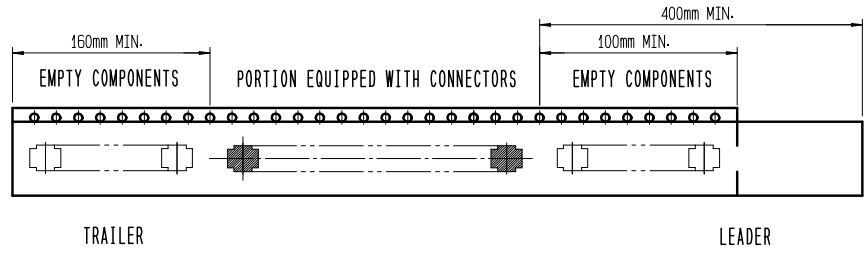


DETAIL OF PART No. LABEL

SUPPLIER	HIROSE
QUANTITY	1,000個
PART NO.	KN13CO.7-**-DP-0.4V(895)
CODE NO.	CL 66**-*****-895
DATE OF MANUFACTURED	年月日
生産月日	年月日
図番	** ** *
品名	KN13CO.7-**-DP-0.4V(895)
納入数量	1,000個
納入者	HIROSE KOREA

PIN	D	E	F	G	H
10	5.5	12	3.59	13.5	17.5
16	7.5	16	4.79	17.5	21.5
24	7.5	16	6.39	17.5	21.5
30	7.5	16	7.59	17.5	21.5

7 TAPING(FREE)



5 . PER REEL 8,000 CONNECTORS.
 6 . THE DIMENSIONS IN PARENTHESES ARE FOR REFERENCE.
 7 > REFER TO JIS C 0806, IEC-60286-3 (PACKAGING OF COMPONENTS FOR AUTOMATIC HANDLING)

 SCALE 10:1 UNITS mm	DRAWING NO. EDC3-633319	PART NO. KN13CO.7-**-DP-0.4V(895)
	HIROSE KOREA CO., LTD.	CODE NO. CL 66**-*****-895