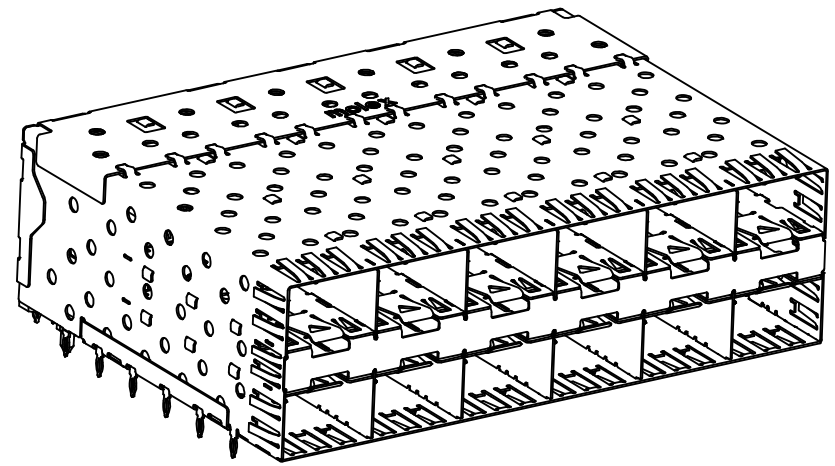
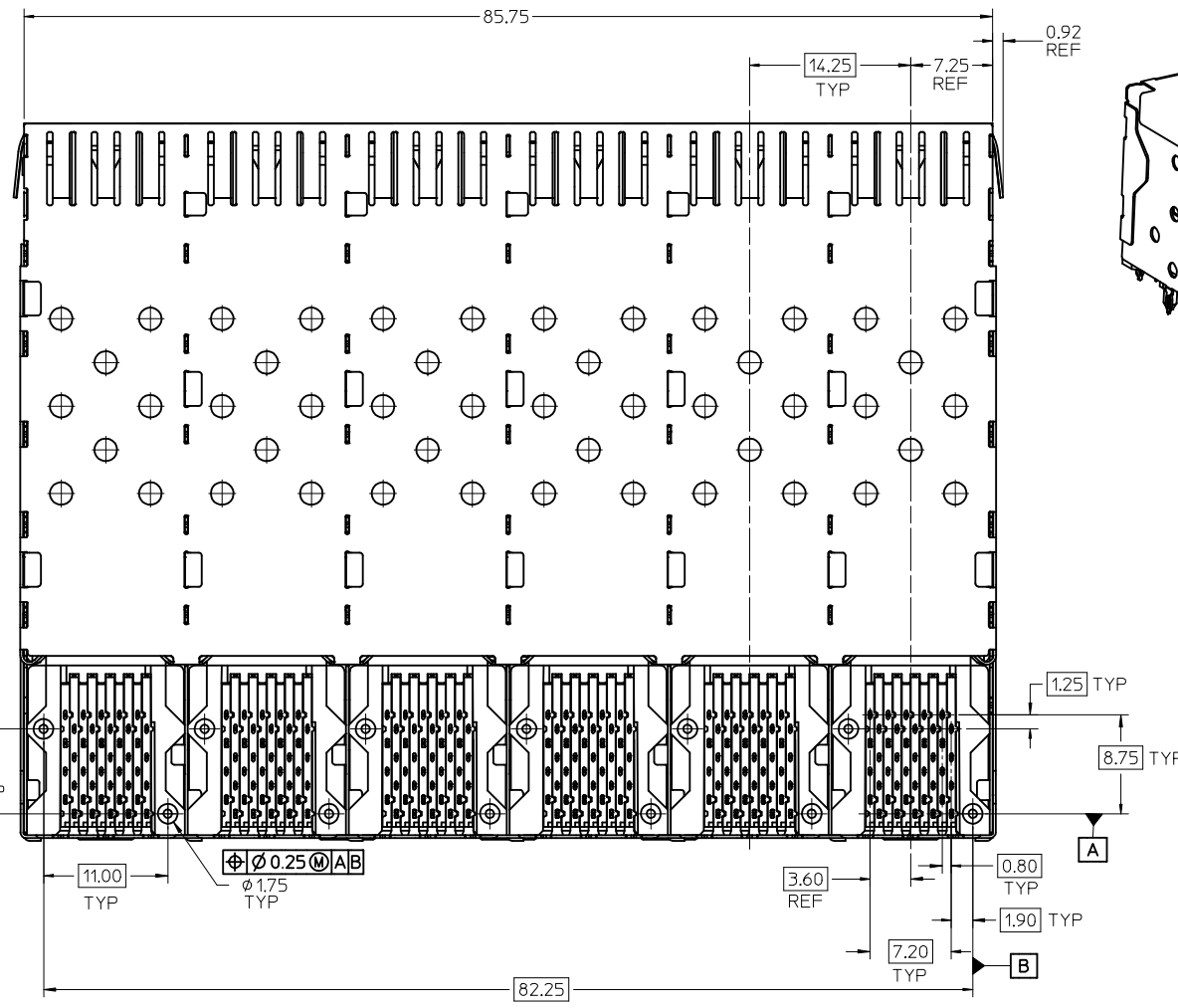


NOTES:

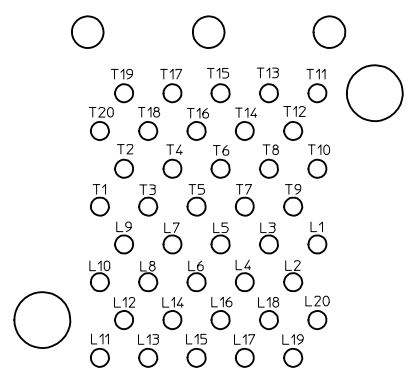
- MATERIAL:
  - CAGE: NICKEL SILVER, THICKNESS: 0.25mm
  - CONNECTOR HOUSING: GLASS FILLED THERMOPLASTIC, UL: 94 V-0, COLOR: BLACK
  - OVERMOLD TERMINAL HOUSING: GLASS FILLED THERMOPLASTIC, UL: 94 V-0, COLOR: BLACK
  - TERMINALS: BRASS
- FINISH
  - TERMINALS: CONTACT AREA: 0.76 MICROMETERS MINIMUM HARD GOLD OVER 1.27 MICROMETERS MINIMUM NICKEL.
  - COMPLIANT TAIL - TIN/LEAD OPTION: 0.76 - 1.52 MICROMETERS 90/10 TIN/LEAD OVER 0.76 - 1.52 MICROMETERS NICKEL
  - COMPLIANT TAIL - TIN OPTION: 0.76 - 1.52 MICROMETERS TIN OVER 0.76 - 1.52 MICROMETERS NICKEL
- REFER TO PS-75310-001 PRODUCT SPEC FOR ALL ELECTRICAL, MECHANICAL AND ENVIRONMENTAL SPECIFICATIONS.
- REFER TO PK-75451-001 FOR ALL PACKAGING SPECIFICATIONS.
- THE CURVED TAILS THAT GO INTO THE HOLES LOCATED BY THESE DIMENSIONS ARE BEING ELIMINATED. TO ACCOMMODATE THIS CONVERSION, IT IS RECOMMENDED THAT BOARDS DESIGNED TO THIS PRINT REVISION INCLUDE THESE HOLES.
- PART COMPLIES WITH COSMETIC SPECIFICATION PS-45499-002. SEE SHEET 4 SECTION Z-Z FOR SURFACE CLASSIFICATIONS. UNDERSIDE OF CAGE COMPLIES WITH CLASS "C".

754775001	TIN
754770001	TIN / LEAD
MATERIAL NO.	TERMINAL TAIL PLATING

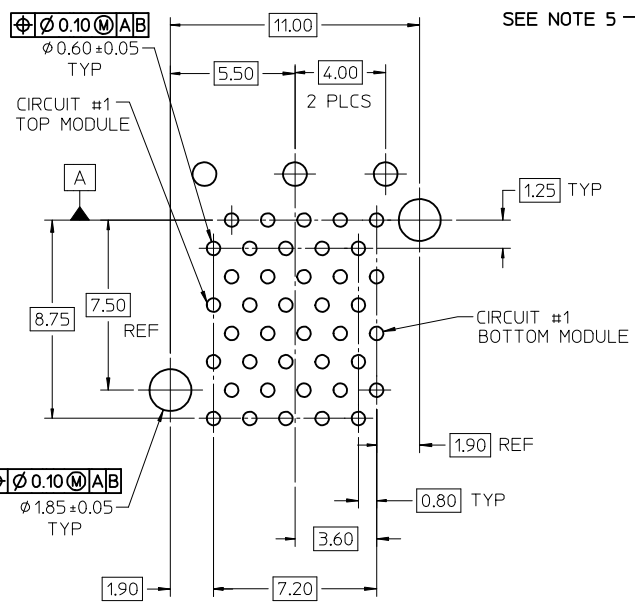
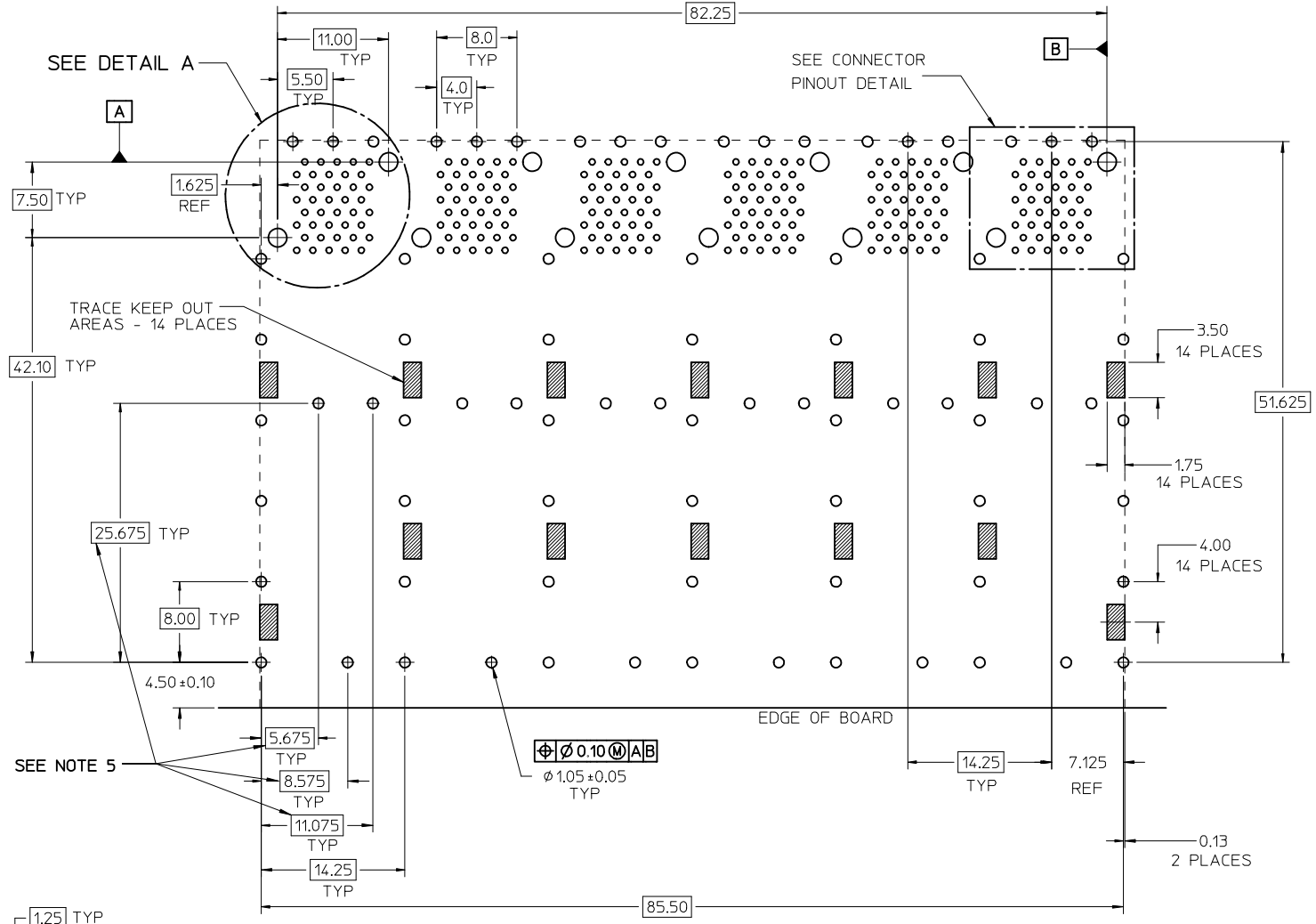
<b>ADD KEEP OUT ZONES</b> EC NO: UCP2010-0369 DRAWN: SIBARRA 2009/07/09 CHKD: 2009/08/26 APPR: SMILLER 2009/08/27 REV	<b>QUALITY SYMBOLS</b> ▽=0 ▽=0	<b>GENERAL TOLERANCES (UNLESS SPECIFIED)</b>		<b>DIMENSION STYLE</b> <b>MM ONLY</b>		SCALE <b>3:1</b>	DESIGN UNITS <b>METRIC</b>	THIRD ANGLE PROJECTION		
				DRAWN BY JLONG	DATE 02-04-2004		TITLE <b>STACKED SFP 2X6 MEDIUM HEIGHT ASS'Y, PRESS-FIT TAIL WITHOUT LIGHT PIPES</b>			
				CHECKED BY KREGNIER	DATE 02-27-2004		MOLEX INCORPORATED			
				APPROVED BY KREGNIER	DATE 04-28-2004		MATERIAL NO. <b>SEE TABLE</b>	DOCUMENT NO. <b>SD-75477-001</b>	SHEET NO. <b>1 OF 4</b>	
		DRAFT WHERE APPLICABLE MUST REMAIN WITHIN DIMENSIONS		SIZE <b>C</b>		THIS DRAWING CONTAINS INFORMATION THAT IS PROPRIETARY TO MOLEX INCORPORATED AND SHOULD NOT BE USED WITHOUT WRITTEN PERMISSION				



<b>SEE SHEET 1</b> EC NO: UCP2010-0369 DRWN:MSIBARRA 2009/07/09 CHKD: 2009/08/26 APPR:SMILLER 2009/08/27	QUALITY SYMBOLS ▽=0 ▽=0	GENERAL TOLERANCES (UNLESS SPECIFIED)		DIMENSION STYLE <b>MM ONLY</b>	SCALE <b>3:1</b>	DESIGN UNITS <b>METRIC</b>	THIRD ANGLE PROJECTION	
		4 PLACES ± --- ± ---	3 PLACES ± --- ± ---	DRAWN BY JLONG	DATE 02-04-2004	TITLE <b>STACKED SFP 2X6 MEDIUM HEIGHT ASS'Y, PRESS-FIT TAIL WITHOUT LIGHT PIPES</b>		
		2 PLACES ± 0.13 ± ---	1 PLACE ± 0.25 ± ---	CHECKED BY KREGNIER	DATE 02-27-2004	MOLEX INCORPORATED		
		ANGULAR ± 5 °		APPROVED BY KREGNIER	DATE 04-28-2004	MATERIAL NO.	DOCUMENT NO. <b>SD-75477-001</b>	SHEET NO. <b>2 OF 4</b>
DRAFT WHERE APPLICABLE MUST REMAIN WITHIN DIMENSIONS		SEE TABLE		THIS DRAWING CONTAINS INFORMATION THAT IS PROPRIETARY TO MOLEX INCORPORATED AND SHOULD NOT BE USED WITHOUT WRITTEN PERMISSION				



CONNECTOR PINOUT DETAIL  
COMPONENT SIDE OF BOARD

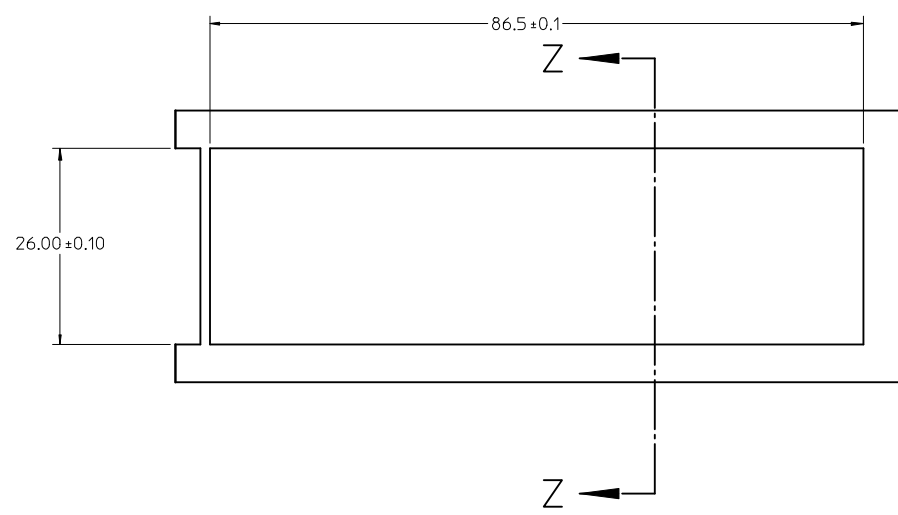


DETAIL A  
SCALE 6:1

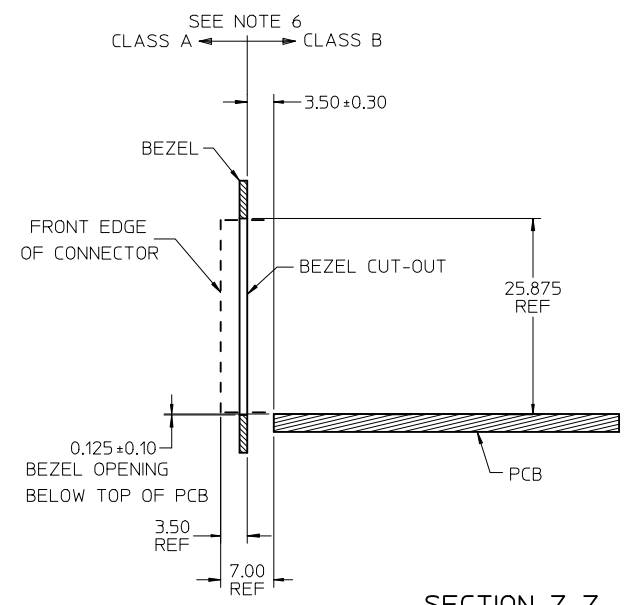
RECOMMENDED PCB LAYOUT - COMPONENT SIDE  
RECOMMENDED PCB THICKNESS - 2.36 MM (.093 INCH)  
THE ENTIRE AREA OF THE CONNECTOR FOOTPRINT  
TO BE CONSIDERED THE KEEP OUT AREA FOR COMPONENTS  
THIS AREA IS INDICATED BY THE DASHED LINE

<b>ADD KEEP OUT ZONES</b> EC NO: UCP2010-0369 DRWN:MSIBARRA 2009/07/09 CHKD: 2009/08/26 APPR:SMILLER 2009/08/27	QUALITY SYMBOLS ▽=0 ▽=0	GENERAL TOLERANCES (UNLESS SPECIFIED)		DIMENSION STYLE <b>MM ONLY</b>		SCALE <b>3:1</b>	DESIGN UNITS <b>METRIC</b>	THIRD ANGLE PROJECTION
		4 PLACES ± --- ± ---	3 PLACES ± --- ± ---	mm	INCH	DRAWN BY JLONG	DATE 02-04-2004	<b>STACKED SFP 2X6 MEDIUM HEIGHT ASS'Y, PRESS-FIT TAIL WITHOUT LIGHT PIPES</b>  <b>MOLEX INCORPORATED</b>  SD-75477-001
		2 PLACES ± 0.13 ± ---	1 PLACE ± 0.25 ± ---	ANGULAR ± 5 °		CHECKED BY KREGNIER	DATE 02-27-2004	
		DRAFT WHERE APPLICABLE MUST REMAIN WITHIN DIMENSIONS		SEE TABLE		APPROVED BY KREGNIER	DATE 04-28-2004	
THIS DRAWING CONTAINS INFORMATION THAT IS PROPRIETARY TO MOLEX INCORPORATED AND SHOULD NOT BE USED WITHOUT WRITTEN PERMISSION		SIZE C						

13 12 11 10 9 8 7 6 5 4 3 2 1

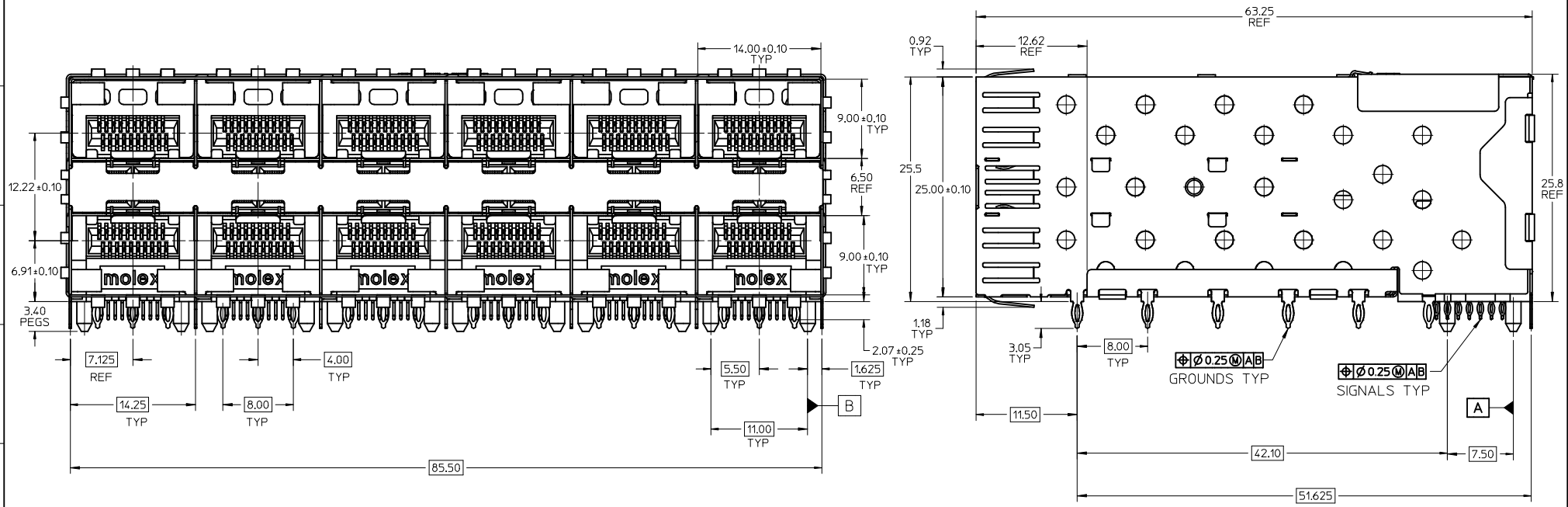


BEZEL CUT-OUT OPENING DETAIL  
BEZEL THICKNESS 0.8 - 2.6



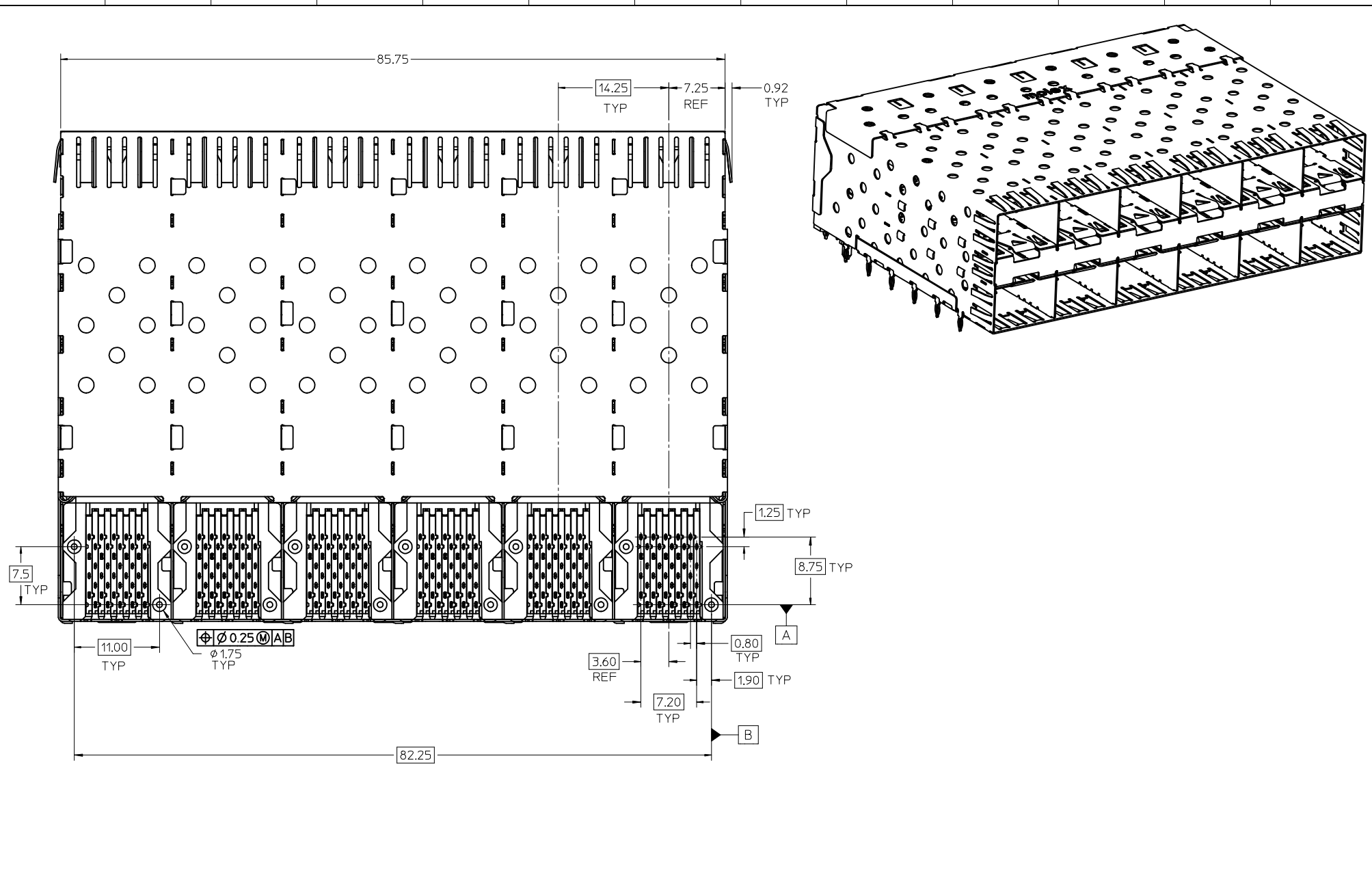
SECTION Z-Z

<b>SEE SHEET 1</b> EC NO: UCP2010-0369 DRWN:MSI BARRA 2009/07/09 CHKD: 2009/08/26 APPR:SMILLER 2009/08/27	QUALITY SYMBOLS = 0 = 0	GENERAL TOLERANCES (UNLESS SPECIFIED)		DIMENSION STYLE <b>MM ONLY</b>	SCALE <b>2:1</b>	DESIGN UNITS <b>METRIC</b>	<b>THIRD ANGLE PROJECTION</b>		
		4 PLACES ± --- ± --- 3 PLACES ± --- ± --- 2 PLACES ± 0.13 ± --- 1 PLACE ± 0.25 ± ---	mm INCH ± --- ± --- ± --- ± --- ± --- ± --- ± --- ± ---	DRAWN BY JLONG	DATE 02-04-2004	TITLE <b>STACKED SFP 2X6 MEDIUM HEIGHT ASS'Y, PRESS-FIT TAIL WITHOUT LIGHT PIPES</b>			
		ANGULAR ± 5 °		CHECKED BY KREGNIER	DATE 02-27-2004	MOLEX INCORPORATED			
		DRAFT WHERE APPLICABLE MUST REMAIN WITHIN DIMENSIONS		APPROVED BY KREGNIER	DATE 04-28-2004	MATERIAL NO. <b>SEE TABLE</b>	DOCUMENT NO. <b>SD-75477-001</b>	SHEET NO. <b>4 OF 4</b>	

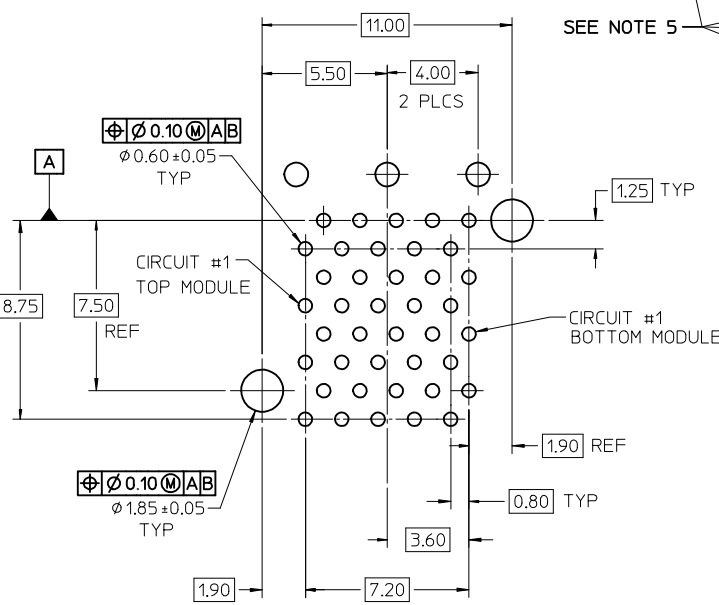
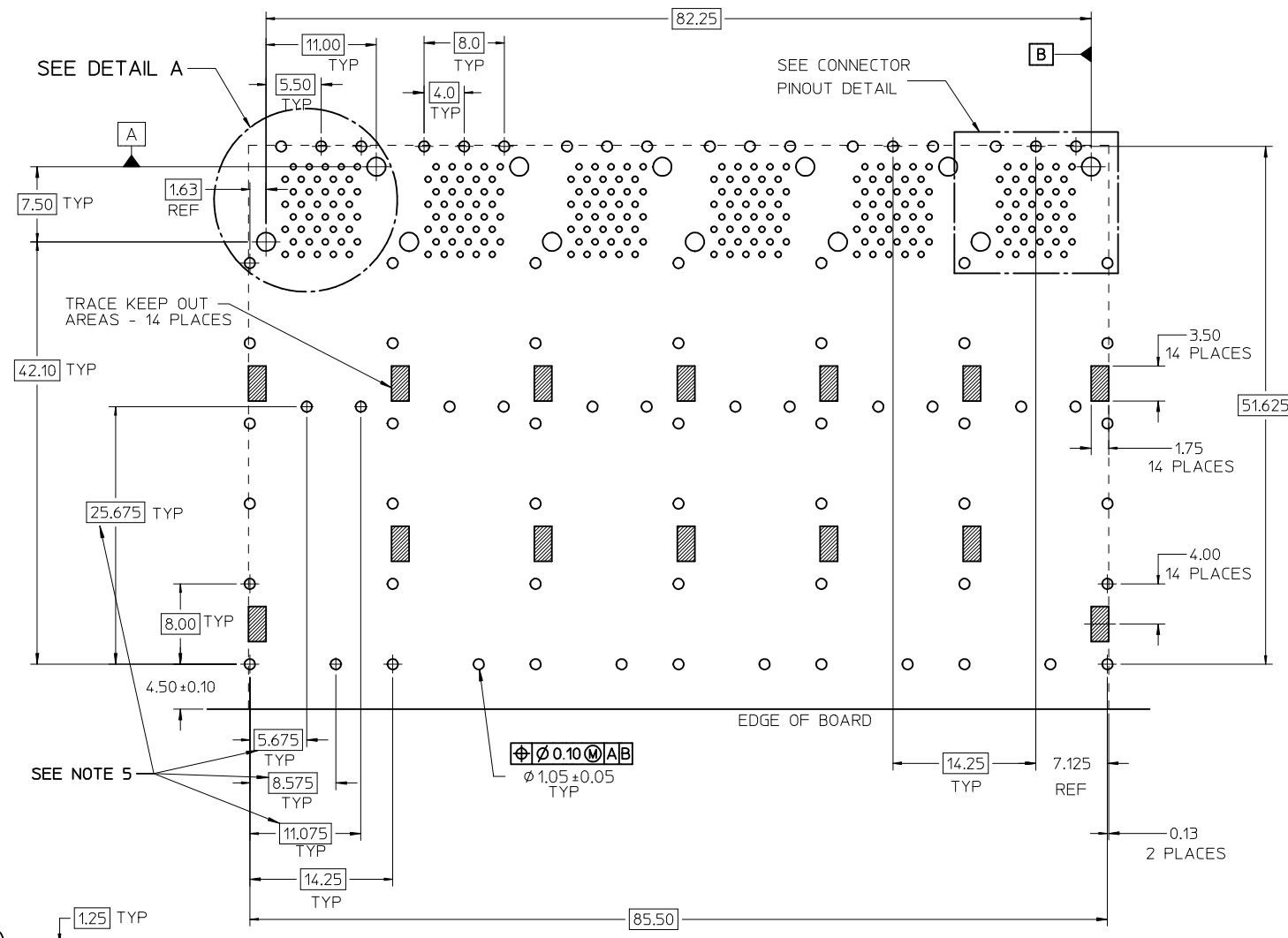
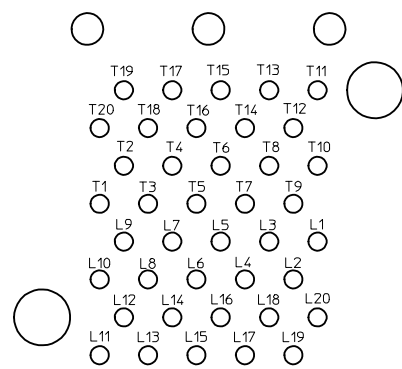


- NOTES:
- MATERIAL:
    - CAGE: NICKEL SILVER, THICKNESS: 0.25mm
    - CONNECTOR HOUSING: GLASS FILLED THERMOPLASTIC, UL: 94 V-0, COLOR: BLACK
    - OVERMOLD TERMINAL HOUSING: GLASS FILLED THERMOPLASTIC, UL: 94 V-0, COLOR: BLACK
    - TERMINALS: BRASS
  - FINISH
    - TERMINALS: CONTACT AREA: 0.76 MICROMETERS MINIMUM HARD GOLD OVER 1.27 MICROMETERS MINIMUM NICKEL.
    - COMPLIANT AREA: 0.76 - 1.52 MICROMETERS 90/10 TIN/LEAD OVER 0.76 - 1.52 MICROMETERS NICKEL.
  - REFER TO PS-75310-001 PRODUCT SPEC FOR ALL ELECTRICAL, MECHANICAL AND ENVIRONMENTAL SPECIFICATIONS.
  - REFER TO PK-75451-001 FOR ALL PACKAGING SPECIFICATIONS.
  - THE CURVED TAILS THAT GO INTO THE HOLES LOCATED BY THESE DIMENSIONS ARE BEING ELIMINATED. TO ACCOMMODATE THIS CONVERSION, IT IS RECOMMENDED THAT BOARDS DESIGNED TO THIS PRINT REVISION INCLUDE THESE HOLES.
  - PART COMPLIES WITH COSMETIC SPECIFICATION PS-45499-002. SEE SHEET 4 SECTION Z-Z FOR SURFACE CLASSIFICATIONS. UNDERSIDE OF CAGE COMPLIES WITH CLASS "C".

ADD KEEP OUT ZONES EC NO: UCP2010-0369 DRWN:MS BARRA 2009/07/09 CHKD: 2009/08/26 APPR: MILLER 2009/08/27	QUALITY SYMBOLS ▽=0 ▽=0	GENERAL TOLERANCES (UNLESS SPECIFIED)		DIMENSION STYLE <b>MM ONLY</b>	SCALE <b>3:1</b>	DESIGN UNITS <b>METRIC</b>	THIRD ANGLE PROJECTION	
		4 PLACES ± --- ± ---	3 PLACES ± --- ± ---	2 PLACES ± 0.13 ± ---	1 PLACE ± 0.25 ± ---	DRAWN BY DROSCA	DATE 01-06-2005	TITLE <b>STACKED SFP 2X6 MEDIUM HEIGHT ASS'Y, PRESS-FIT FOUNDRY SALES DRAWING</b>
		ANGULAR ± 5 °		DRAFT WHERE APPLICABLE MUST REMAIN WITHIN DIMENSIONS		CHECKED BY JLONG	DATE 01-06-2005	<b>MOLEX INCORPORATED</b>
		MATERIAL NO. <b>754771001</b>		SIZE C		APPROVED BY RNELSON	DATE 02-15-2005	
						SHEET NO. 1 OF 4		



SEE SHEET 1 EC NO: UCP2010-0369 DRWINHSI BARRA 2009/07/09 CHKD: 2009/08/26 APPR: SMILLER 2009/08/27	QUALITY SYMBOLS ▽=0 ▽=0	GENERAL TOLERANCES (UNLESS SPECIFIED) <table border="1"> <thead> <tr> <th></th> <th>mm</th> <th>INCH</th> </tr> </thead> <tbody> <tr> <td>4 PLACES</td> <td>± 0.25</td> <td>± 0.010</td> </tr> <tr> <td>3 PLACES</td> <td>± 0.25</td> <td>± 0.010</td> </tr> <tr> <td>2 PLACES</td> <td>± 0.13</td> <td>± 0.005</td> </tr> <tr> <td>1 PLACE</td> <td>± 0.25</td> <td>± 0.010</td> </tr> </tbody> </table>		mm	INCH	4 PLACES	± 0.25	± 0.010	3 PLACES	± 0.25	± 0.010	2 PLACES	± 0.13	± 0.005	1 PLACE	± 0.25	± 0.010	DIMENSION STYLE <b>MM ONLY</b> DRAWN BY DATE DROSCA 01-06-2005 CHECKED BY DATE JLONG 01-06-2005 APPROVED BY DATE RNELSON 02-15-2005	SCALE <b>3:1</b> DESIGN UNITS METRIC THIRD ANGLE PROJECTION	TITLE <b>STACKED SFP 2X6 MEDIUM HEIGHT ASS'Y, PRESS-FIT FOUNDRY SALES DRAWING</b>
		mm	INCH																	
	4 PLACES	± 0.25	± 0.010																	
	3 PLACES	± 0.25	± 0.010																	
2 PLACES	± 0.13	± 0.005																		
1 PLACE	± 0.25	± 0.010																		
MATERIAL NO. <b>754771001</b>	DOCUMENT NO. <b>SD-75477-101</b>	SHEET NO. <b>2 OF 4</b>	MOLEX INCORPORATED																	
DRAFT WHERE APPLICABLE MUST REMAIN WITHIN DIMENSIONS			THIS DRAWING CONTAINS INFORMATION THAT IS PROPRIETARY TO MOLEX INCORPORATED AND SHOULD NOT BE USED WITHOUT WRITTEN PERMISSION																	
SIZE C																				

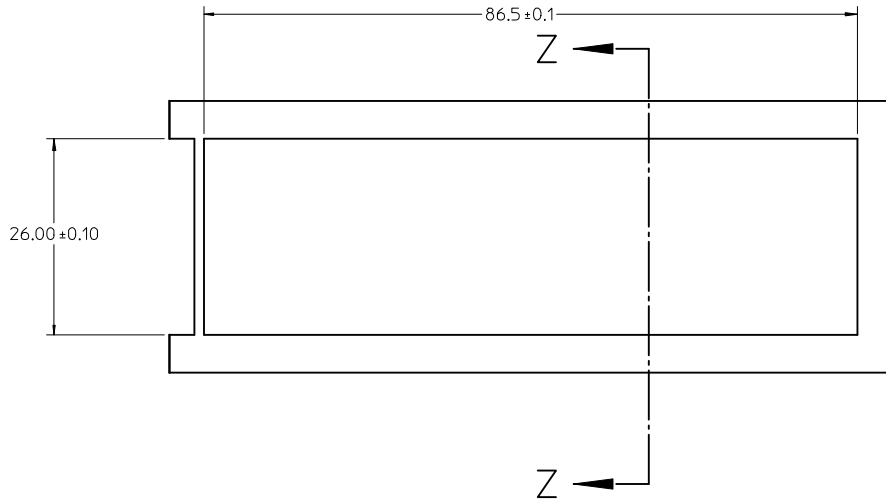


ADD KEEP OUT ZONES	2009/07/09	QUALITY SYMBOLS
EC NO: UCP2010-0369	DRWINHISBARRA	▽=0
CHKD: 2009/08/26	APPR: MILLER	▽=0
REV	DESCRIPTION	

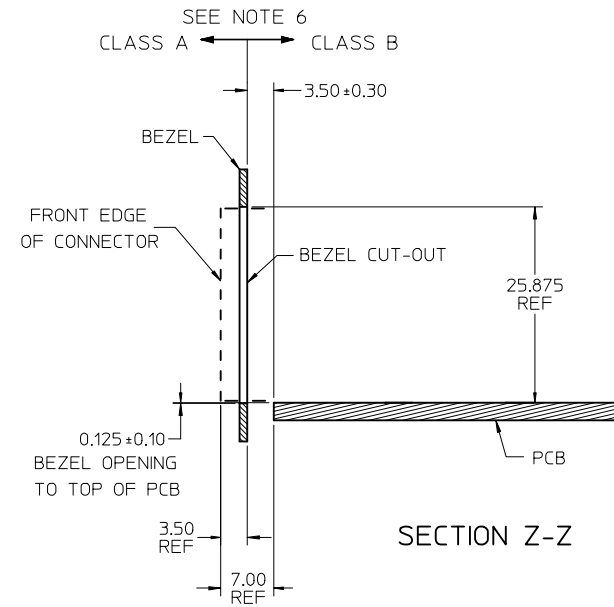
GENERAL TOLERANCES (UNLESS SPECIFIED)	
mm	INCH
4 PLACES ± .005	± .0004
3 PLACES ± .005	± .0004
2 PLACES ± .013	± .0005
1 PLACE ± 0.25	± .010
ANGULAR ± 5°	
DRAFT WHERE APPLICABLE MUST REMAIN WITHIN DIMENSIONS	

DIMENSION STYLE MM ONLY	
DRAWN BY	DATE
CHECKED BY	DATE
APPROVED BY	DATE
MATERIAL NO. <b>754771001</b>	
SIZE C	

SCALE 3:1	DESIGN UNITS METRIC	THIRD ANGLE PROJECTION
TITLE <b>STACKED SFP 2X6 MEDIUM HEIGHT ASS'Y, PRESS-FIT FOUNDRY SALES DRAWING</b>		
MOLEX INCORPORATED		SHEET NO. 3 OF 4
DOCUMENT NO. <b>SD-75477-101</b>		
THIS DRAWING CONTAINS INFORMATION THAT IS PROPRIETARY TO MOLEX INCORPORATED AND SHOULD NOT BE USED WITHOUT WRITTEN PERMISSION		



BEZEL CUT-OUT CENTER DETAIL  
BEZEL THICKNESS 0.8 - 2.6



SECTION Z-Z

SEE SHEET 1 EC NO: UCP2010-0369 DRAWN:MS IBARRA 2009/07/09 CHKD: 2009/08/26 APPR:SMILLER 2009/08/27	QUALITY SYMBOLS	GENERAL TOLERANCES (UNLESS SPECIFIED)		DIMENSION STYLE	SCALE	DESIGN UNITS	THIRD ANGLE PROJECTION	
	▽=0	mm	INCH	MM ONLY	2:1	METRIC		
	▽=0	4 PLACES ± ---	± ---	DRAWN BY DATE	TITLE			
		3 PLACES ± ---	± ---	CHECKED BY DATE	STACKED SFP 2X6 MEDIUM HEIGHT ASS'Y, PRESS-FIT FOUNDRY SALES DRAWING			
	2 PLACES ± 0.13	± ---	1 PLACE ± 0.25	APPROVED BY DATE	MOLEX INCORPORATED			
	ANGULAR ± 5 °		MATERIAL NO.		DOCUMENT NO.		SHEET NO.	
	DRAFT WHERE APPLICABLE MUST REMAIN WITHIN DIMENSIONS		754771001		SD-75477-101		4 OF 4	
	THIS DRAWING CONTAINS INFORMATION THAT IS PROPRIETARY TO MOLEX INCORPORATED AND SHOULD NOT BE USED WITHOUT WRITTEN PERMISSION							