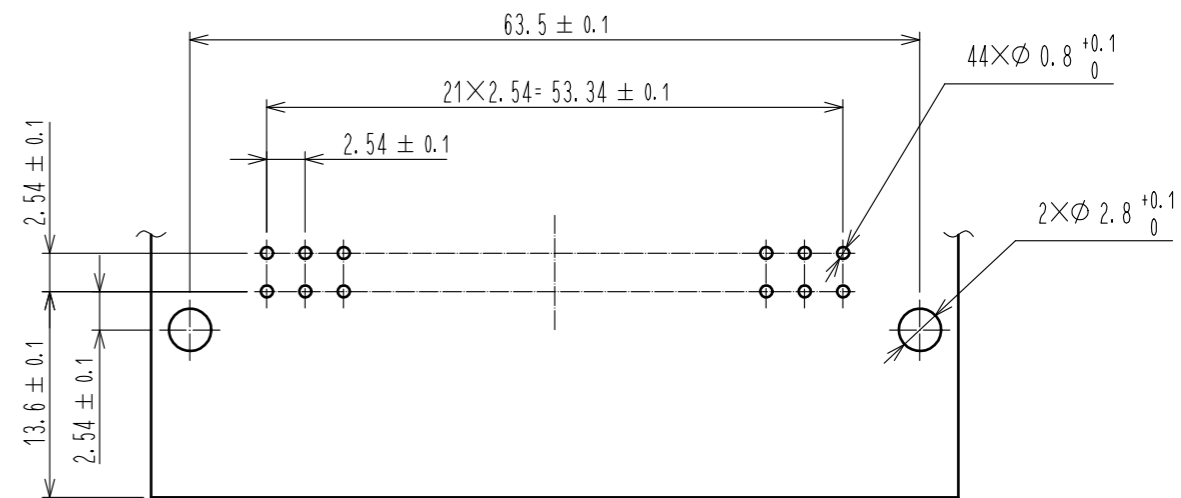
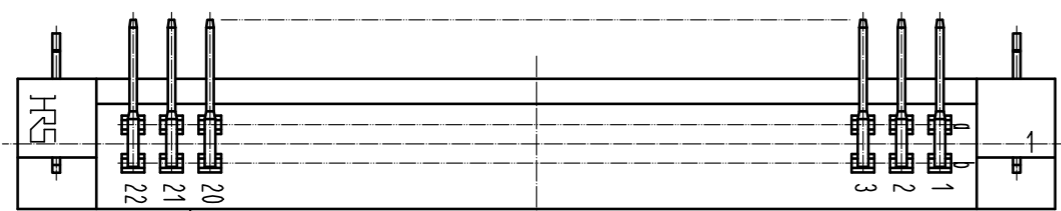
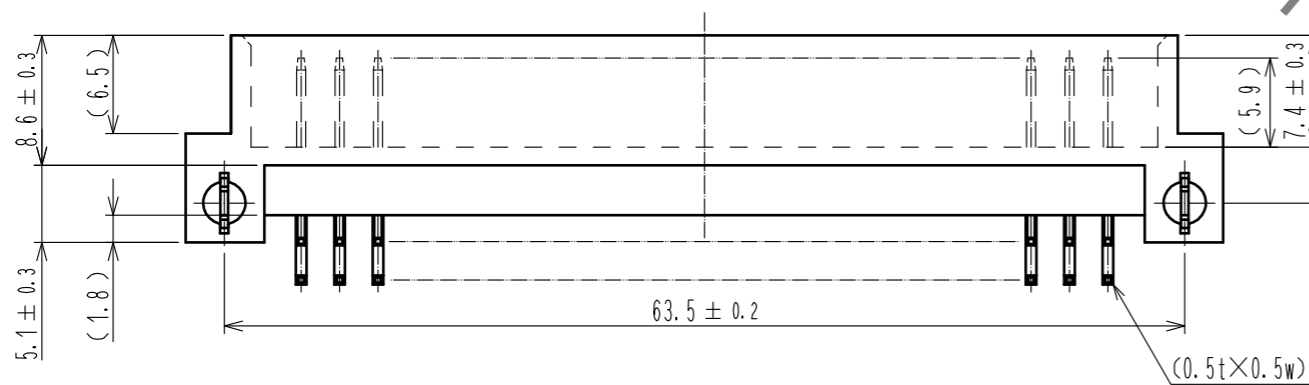
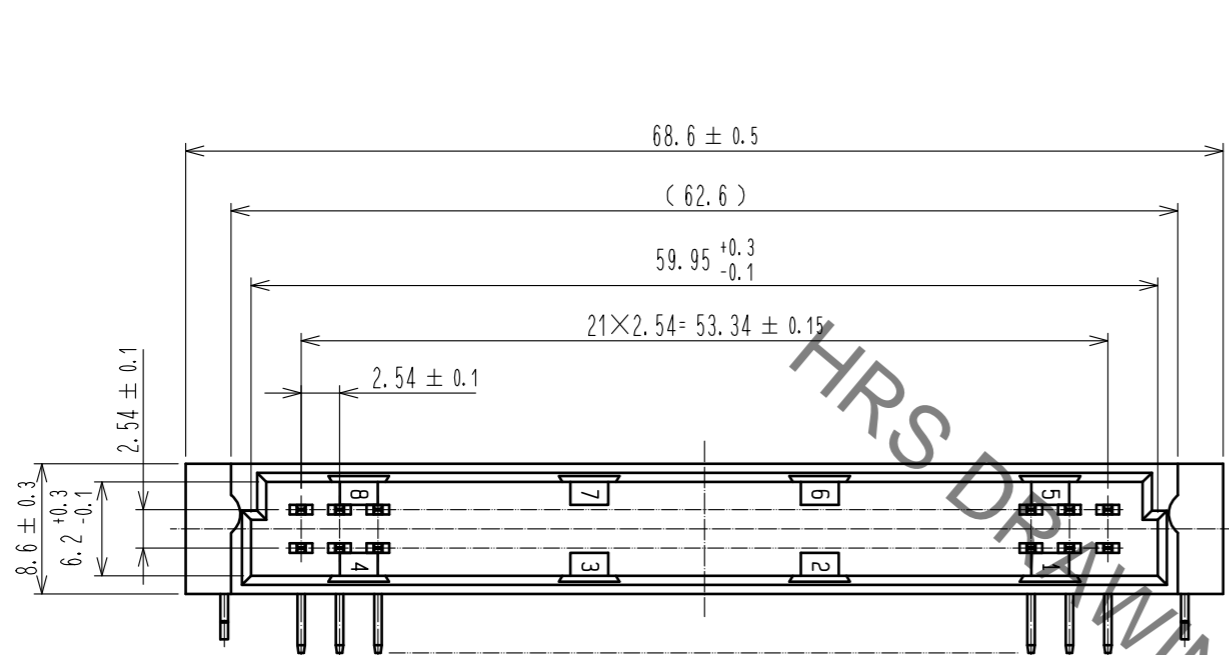
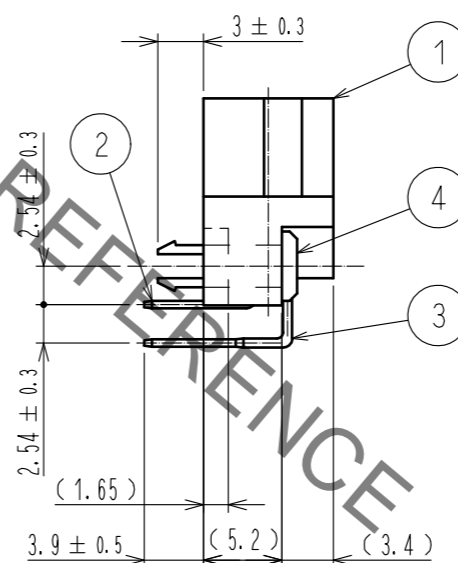


May.1.2023 Copyright 2023 HIROSE ELECTRIC CO., LTD. All Rights Reserved.
In case of consideration for using Automotive equipment / device which demand high reliability, kindly contact our sales window correspondents.



Recommended PC board hole pattern(t=1.6 ± 0.1)



Note 1 UL(File No. E134282)



1	PBT	BLACK UL94V-0	4	PHOSPHOR BRONZE	Ni1 μm+Sn1 μm		
			2, 3	BRASS	CONTACT AREA : Ni2.5 μm+Au0.2 μm DIP AREA : Ni2.5 μm+Sn2 μm		
NO.	MATERIAL	FINISH . REMARKS	NO.	MATERIAL	FINISH . REMARKS		
UNITS mm		SCALE 2 : 1	COUNT 1	DESCRIPTION OF REVISIONS DIS-F-00017562	DESIGNED YU. NAKADA	CHECKED HT. YAMAGUCHI	DATE 20230323
HRS HIROSE ELECTRIC CO., LTD.		APPROVED : HS. OKAWA 20111212	DRAWING NO. EDC-020869-72-01				
		CHECKED : NH. SUGITA 20111212	PART NO. PCN10MC-44P-2.54DS(72)				
		DESIGNED : KJ. NISHIWAKI 20111212	CODE NO. CL0583-0385-5-72				
		DRAWN : CR. TAKESHIMA 20111212					