

PART NAME

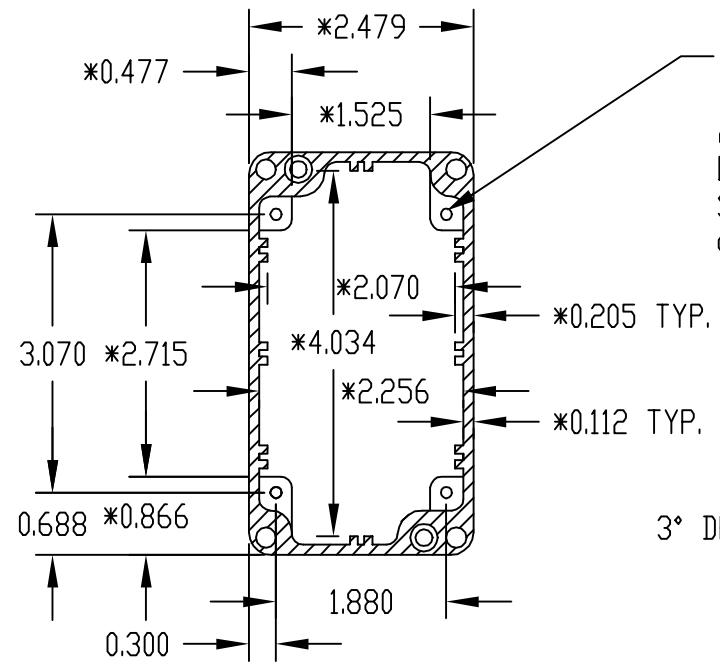
NEMA 4 ENCLOSURE

PART No.

AN-1303, AN-1303-G, AN-2803 & AN-2803-B

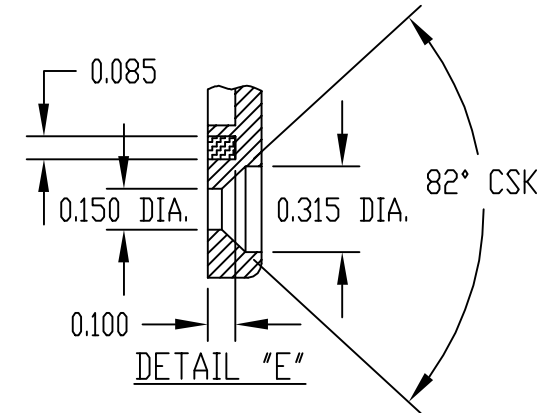
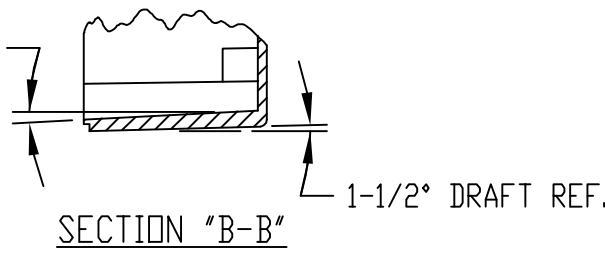
REV. DATE

2-12-04

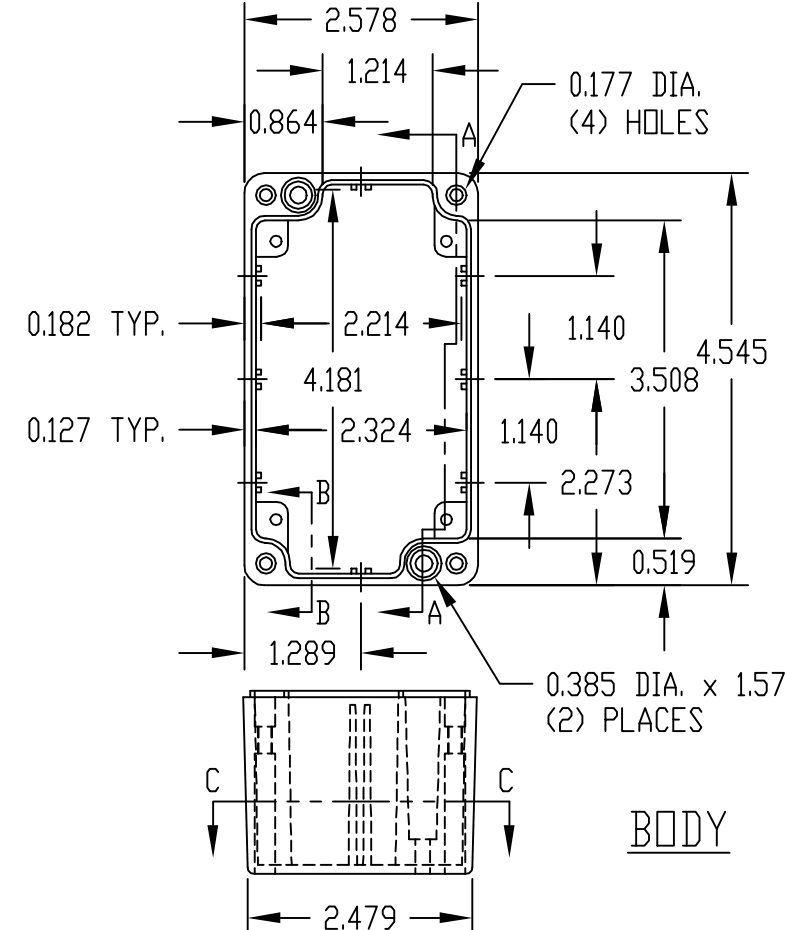


0.125 DIA. x 0.350 DEEP  
(4) PLACES  
ACCEPTS EITHER M3.5 METRIC  
OR #6 STD. SHEET METAL  
SCREWS x 0.250" LG.  
(NOT SUPPLIED)

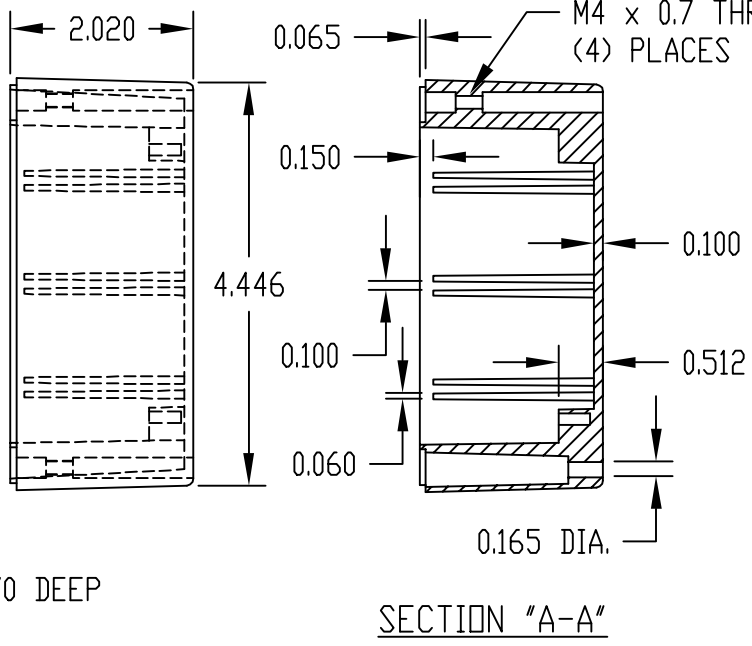
3° DRAFT REF.



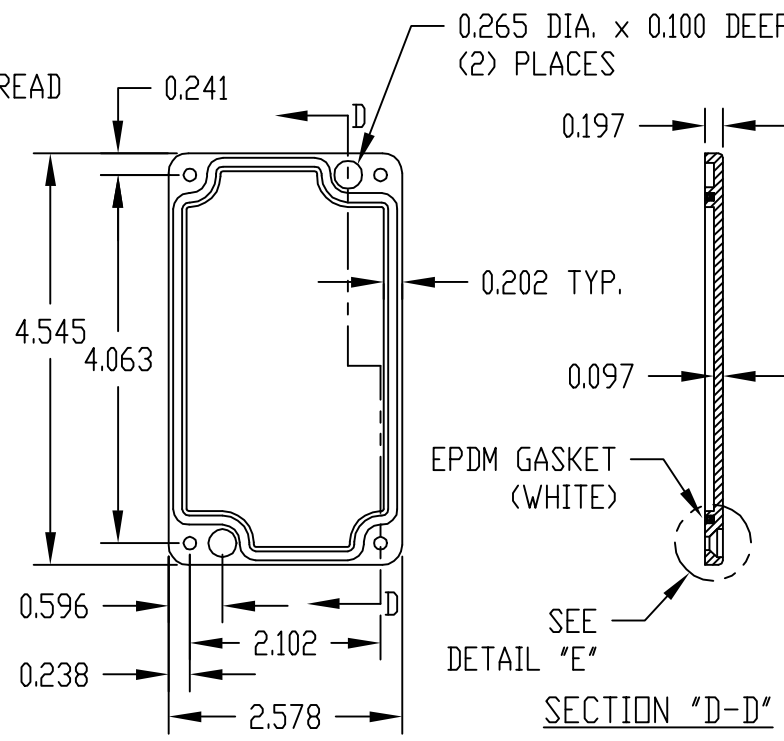
SECTION "C-C"  
\* DIMENSIONS ARE AT  
BOTTOM OF ENCLOSURE



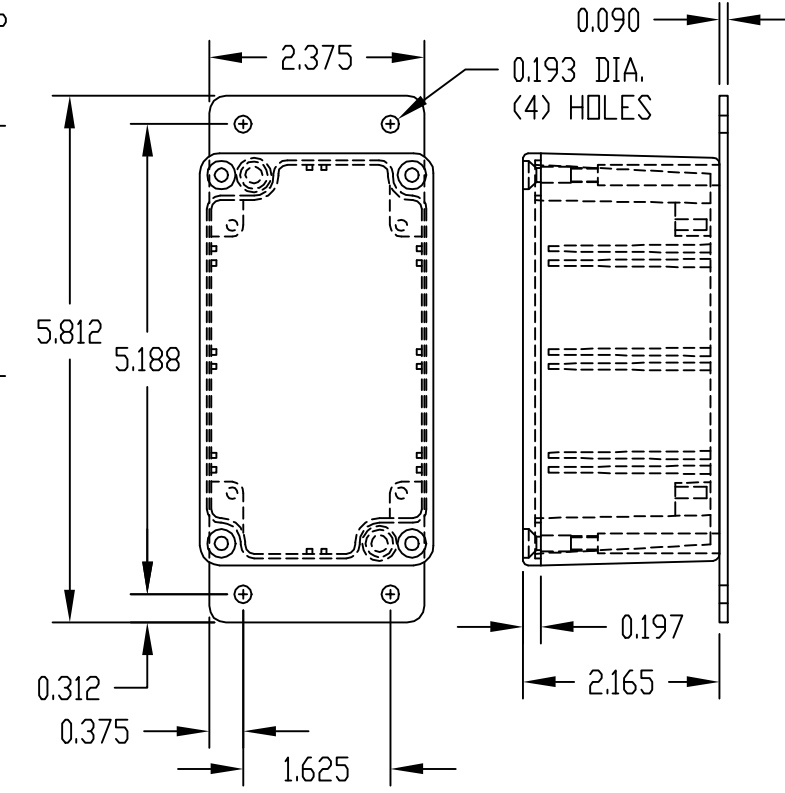
BODY



SECTION "A-A"



COVER



SECTION "D-D"

MATERIAL: ALUMINUM ALLOY #ADC-10

FINISH: NATURAL (NO SUFFIX)  
GRAY (SUFFIX -G)  
SMOOTH BLACK (SUFFIX -B)

FOUR (4) M4 x 20mm (0.787") LG. SCREWS  
SUPPLIED FOR ASSEMBLY.

TWO (2) M3.5 x 6mm LG. NICKEL PLATED  
SCREWS AND WASHERS SUPPLIED FOR  
GROUNDING

ALL DIMENSIONS HAVE ±0.015 TOLERANCE  
UNLESS OTHERWISE SPECIFIED