

Model No.: DQ25SC26-04
 Product Line: Tymphany

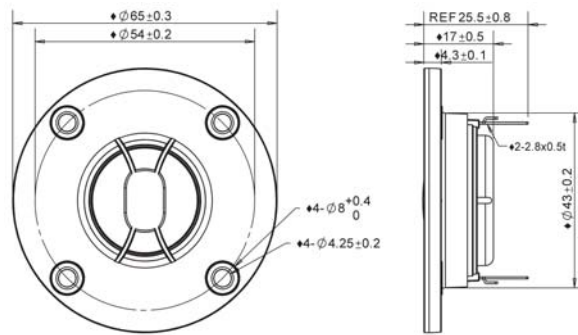
Rev: 1
 Last Update: 2017-04-25 14:32:09

Product Description

This D family tweeter features an 4 ohm 25 mm voice coil, a treated titanium dome, and ferrofluid in the gap of the NdFeB motor. providing enhanced cooling of the voice coil. The tweeter comes with a plastic faceplate with recessed mounting holes , for easy installation into the desired application. Is designed to be a high performance transducer.



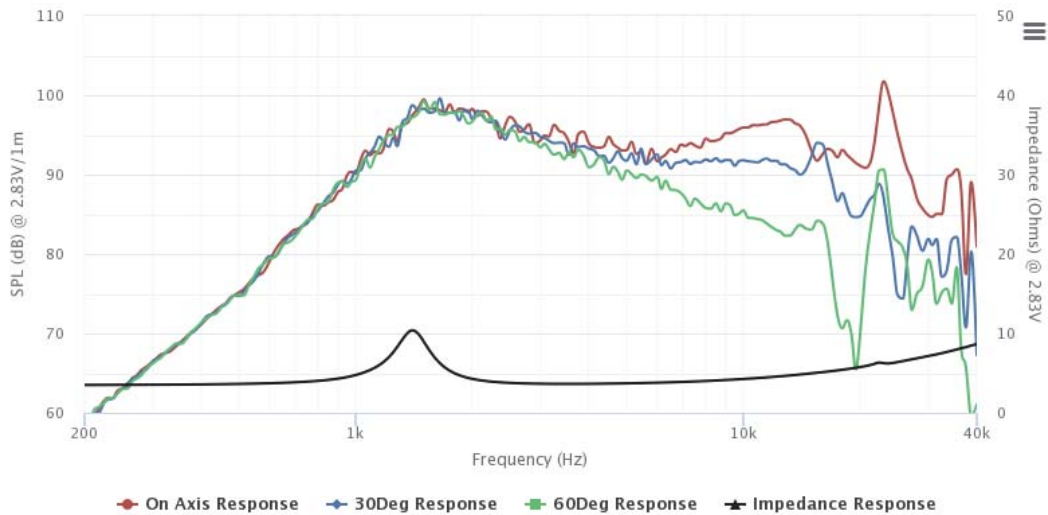
Mechanical Drawing



Specifications

DC Resistance	Revc	Ohms	2.83	5.0%	Energy Bandwidth Product	EBP	(1/Qes)*fs	766.44
Minimum Impedance	Zmin	Ohms	3.64	7.5%	Moving Mass	Mms	g	0.3
Voice Coil Inductance	Le	mH	0.02		Suspension Compliance	Cms	um/N	37.5
Resonant Frequency	Fs	Hz	1478.94	15%	Effective Cone diameter	D	cm	2.8
Mechanical Q Factor	Qms		3.38		Effective Piston Area	Sd	cm ²	6.2
Electrical Q Factor	Qes		1.93		Effective Volume	Vas	L	0
Total Q Factor	Qts		1.23		Motor Force Factor	BL	Tm	2.05
Ratio Fs/Qts	F	Fs/Qts	1203.37		Motor Efficiency Factor	β	(T*M ²)/Ohms	1.5
Half Space Sensitivity @2.83V	db@2.83V/1M	dB	94.75	+/- 1.0db	Voice coil former Material	VCfm		ASV
Half Space Sensitivity @1W/1M	db@1W/1M	dB	91.3	+/- 1.0db	Voice coil inner diameter	VCd	mm	25.4
Gap Height	Gh	mm	2		Rated Noise Power	P	W	2
Maximum Linear Excursion	Xmax	mm	0		Test Spectrum Bandwidth	TBD		
Ferrofluid Type	FF		APG027N		Driver Size	Inch		25 mm
Driver Mass	Kg		0.05					

Frequency and Impedance Response



Highcharts.com