



AC30UNA-R – Three Wire Power Cord for North America



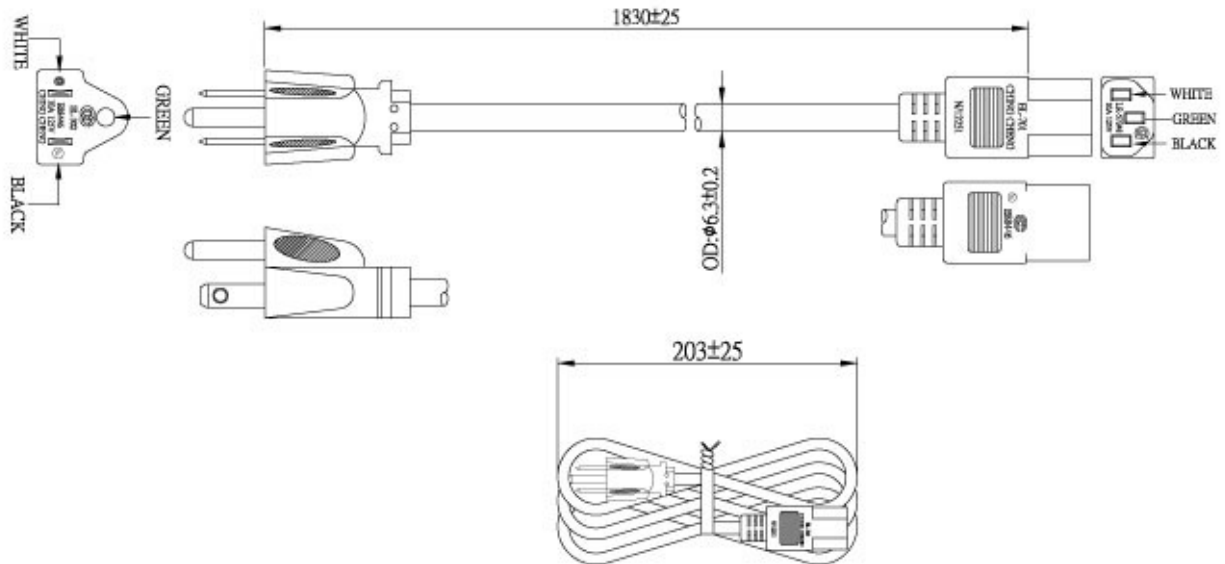
Specifications

- Plug Type: NEMA 5-15P
- Wire Size 18AWG
- Amperage Rating: 10A
- Connector: IEC320 C13
- Temperature: 60°C
- Voltage Rating: 125V

Safety Approvals

- CSA
- UL

Dimension Diagram Unit: mm



Phihong is not responsible for any error and reserves the right to make changes without notice. Please visit our website at www.phihong.com for the most up-to-date specifications and contact information.

Adapters

PSA120U-120L6
PSA120U-240L6
PSA120U-480L6
PSA120U-540L6
PSA120U-560L6
PSAA18U-120L6
PSAA18U-150L6
PSAA18U-240L6
PSAA18U-480L6
PSAC30U-050L6
PSAC30U-090L6
PSAC30U-120L6
PSAC30U-240L6
PSAC30U-480L6
PSAC30U-560L6
PSC75U-480
PSC75U-560

**Power over Ethernet
(IEEE802.3af)**

POE21U-1AF
POE125U-8-N
POE125U-8-C
POE370U-480-8
POE370U-480-8-N
POE370U-480-16
POE370U-480-16-N
POE370U-480-24
POE370U-480-24-N

**Power over Ethernet
(Ultra/Mega Power)**

POE61U-560D
POE61U-560DG
POE75U-1UP
POE75U-1UP-N
POE75U-1UP(PD)
POE80U-560(G)
POE240U-4UP-N
POE480U-4UP
POE480U-8UP
POE576U-8UP-N
POE240U-2MP-N
POE576U-4MP-N

**Power over Ethernet
(IEEE802.3af)**

POE30U-560(G)-HT
POE29U-1AT
POE29U-560
POE125U-4-AT
POE125U-4AT-N
POE576U-8AT
POE576U-8AT-N
POE576U-16AT
POE576U-16AT-N
POE576U-24AFAT
POE576U-24AFAT-N

Power Supplies

PSM500-210
PSM500-216
PSM1000-216