

# CLIFF

## AIRTIGHT XLR RANGE



The airtight XLR is the latest XLR connector designed and made by Cliff UK. It is an airtight connector, primarily intended for applications such as active speakers, where it is detrimental to have air movement in and out of the enclosure. The movement of the speaker diaphragm can cause air pressure changes. This air can produce noise if leaked in and out of the enclosure via any small holes.

A gasket is supplied to seal the socket flange against the enclosure. The gasket can be fitted on the front or rear of the XLR depending on preferred mounting. 3 mounting types available. Contacts are gold plated. Female versions are available with a latch.

Rated Current: 3 Pin 5A. Nominal, 15A. Max.\*  
Rated Voltage: 250VAC Max.\*

### Part Numbers:

**CP30060** ATXLR MALE SOLDER CUP  
**CP30070** ATXLR FEMALE SOLDER CUP  
**CP30080** ATXLR FEMALE LATCHING SOLDER CUP

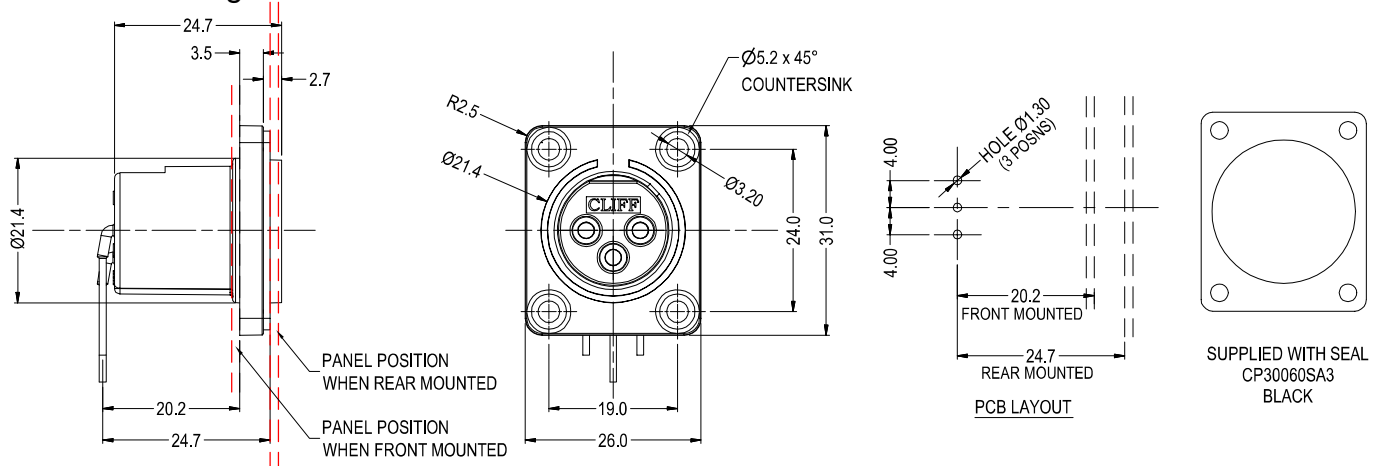
**CP30061** ATXLR MALE PCB  
**CP30071** ATXLR FEMALE PCB  
**CP30081** ATXLR FEMALE LATCHING PCB

**CP30062** ATXLR MALE 90° PCB  
**CP30072** ATXLR FEMALE 90° PCB  
**CP30082** ATXLR FEMALE LATCHING 90° PCB

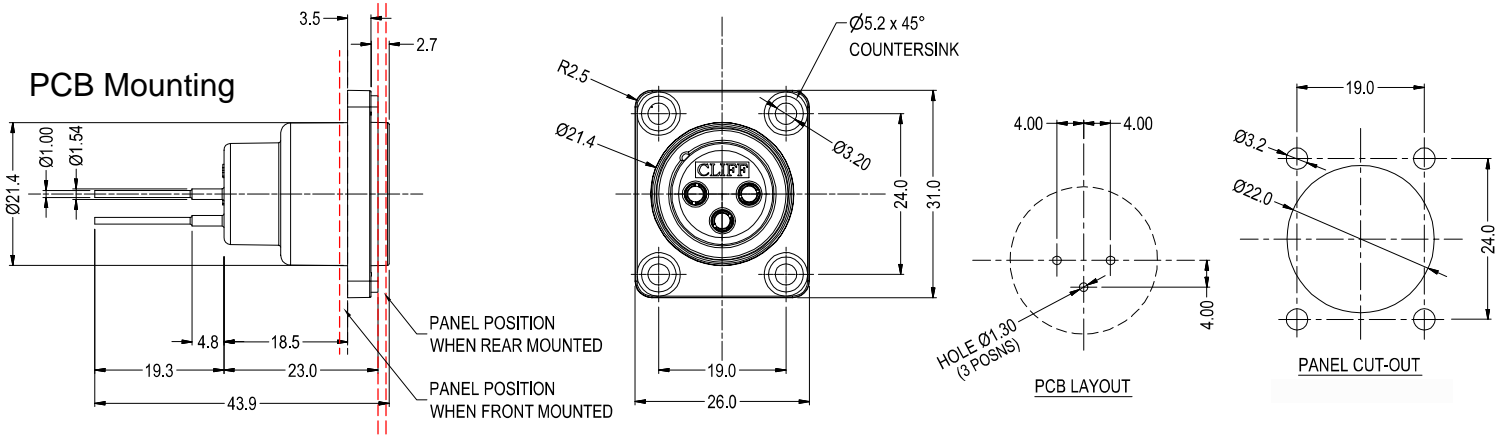
# Product Drawings

## Non Latching Models

### 90° PCB Mounting

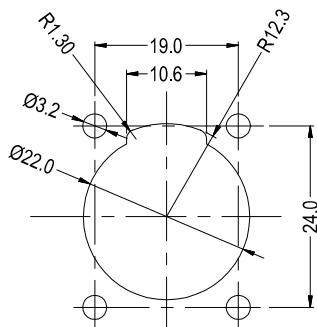
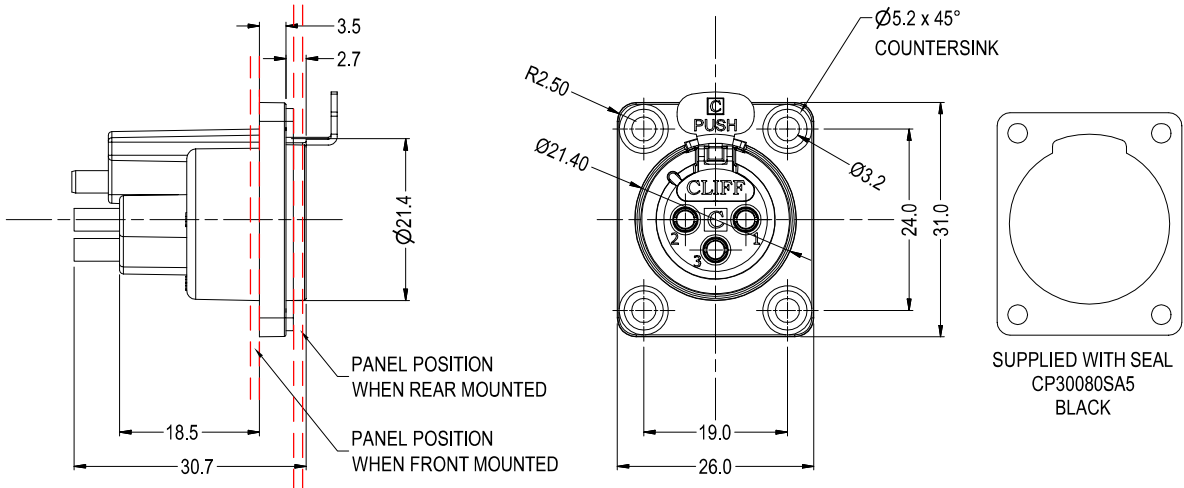


### PCB Mounting

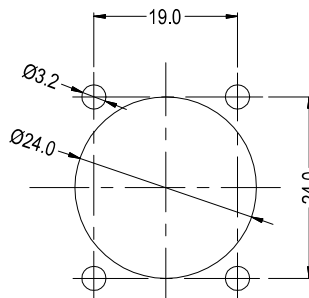


## Latching Models

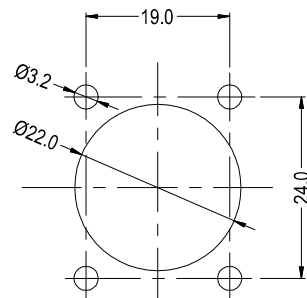
### Female Latching with solder cup



IDEAL  
PANEL CUT-OUT  
FOR FRONT MOUNTING



SIMPLIFIED  
PANEL CUT-OUT  
FOR FRONT MOUNTING



PANEL CUT-OUT  
FOR REAR MOUNTING