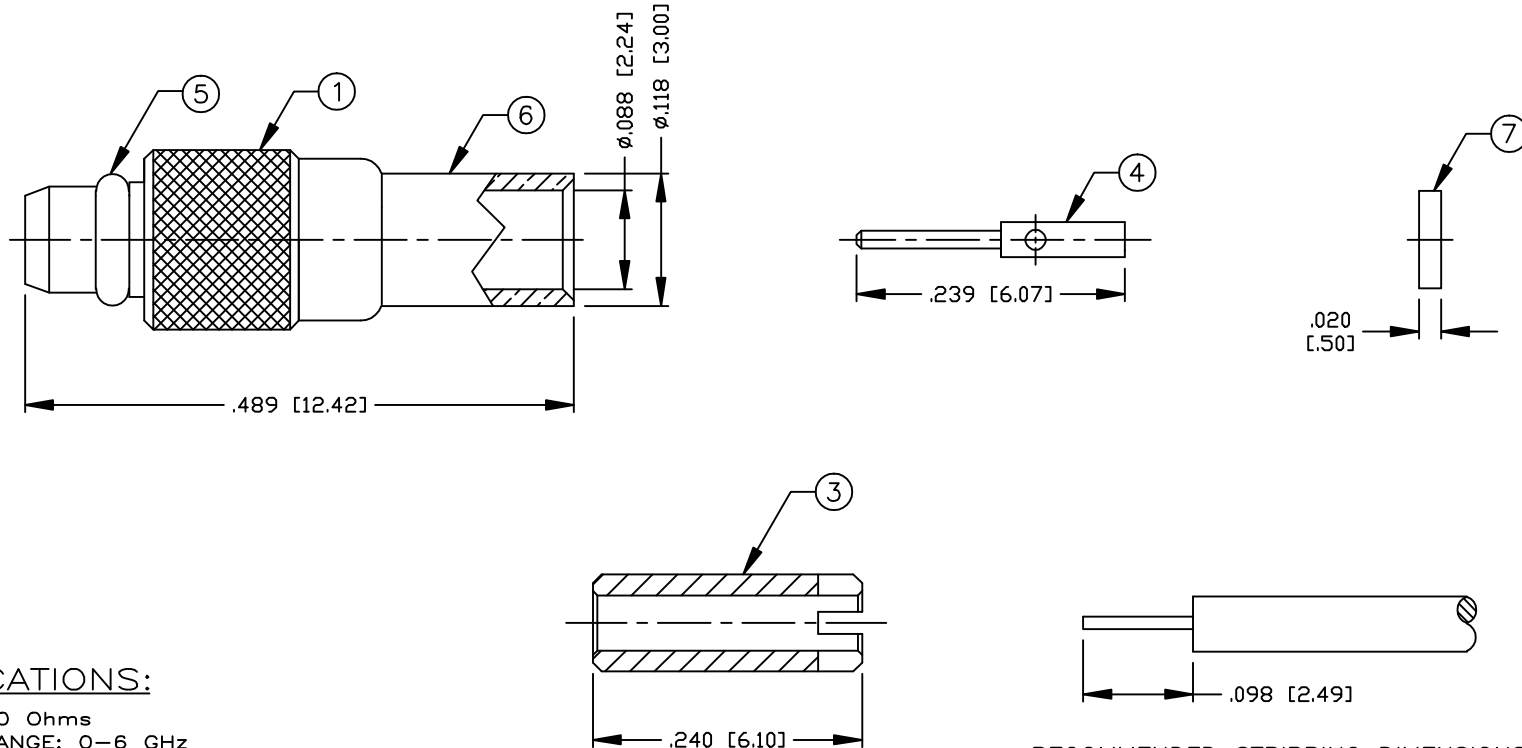


THIS DRAWING CONTAINS INFORMATION PROPRIETARY TO RF INDUSTRIES,
 ANY UNAUTHORIZED USE OF THIS DRAWING IS EXPRESSLY PROHIBITED
 WITHOUT WRITTEN PERMISSION FROM RF INDUSTRIES.
 ANY VIOLATION IS PUNISHABLE UNDER U.S. COPYRIGHT LAWS.

PART NO.		RMX-9000-1SR0		
REV	DESCRIPTION	DWN	DATE	APPROVED
-	ENGINEERING RELEASE	CZS	5/25/00	JDMc

ALL DIMENSIONS ARE REFERENCE ONLY



SPECIFICATIONS:

IMPEDANCE: 50 Ohms
 FREQUENCY RANGE: 0-6 GHz
 WORKING VOLTAGE: 170 V rms @ sea level
 TEMPERATURE RANGE: -65°C TO 165°C
 INSULATION RESISTANCE: 1k M Ohms min.
 FOR .047 SEMI RIGID, M17/151

RECOMMENDED STRIPPING DIMENSIONS

1	BODY	1	BRASS	GOLD, 3μ"
2	INSULATOR	1	PTFE	----
3	SOLDER INSERT	1	BRASS	GOLD, 3μ"
4	PIN	1	BRASS	GOLD, 3μ"
5	RETAINING RING	1	Be. Cu.	GOLD, 3μ"
6	FERRULE	1	COPPER	GOLD, 3μ"
7	INSULATOR	1	PTFE	----
8				
9				
10				
11				
12				
13				
14				
#	DESCRIPTION	QTY	MATRL	FINISH

000641	
DRAWN	11/21/06
C. ZUNIGA	
CHECKED	
ORJ DRAWN	11/21/06
C. ZUNIGA	
APPROVALS	DATE

UNLESS OTHERWISE SPECIFIED:
 1. REMOVE ALL BURRS
 2. BREAK ALL CORNERS & EDGES .005 R. MAX.
 3. CHAMFER 1ST & LAST THREADS 45°
 4. SURFACE ROUGHNESS 63 FINISH MIL-STD-10
 5. DIAMETERS ON COMMON CENTERS TO BE CONCENTRIC WITHIN .002 T.I.R.
 6. ALL DIMENSIONS ARE AFTER PLATING.

DIMENSIONS ARE IN INCHES AND [MILLIMETERS]
 UNLESS OTHERWISE NOTED TOLERANCES ARE:

DECIMALS	DIAMETER
.XXX±.003 [.08]	.XXX±.001 [.03]
.XX±.005 [.13]	.XX±.003 [.08]

RF connectors
 DIVISION OF RF INDUSTRIES, LTD.

7610 MIRAMAR RD
 SAN DIEGO, CA 92126
 (858) 549-6340
 (858) 549-6345 FAX

**MMCX PLUG
 DIRECT SOLDER**

SIZE	CABLE GROUP	DWG NO.	REV
A	SRO	RMX-9000-1SR0	-
SCALE:	NTS	CAD FILE	OUTLINE
SHEET 1 OF 1			