

NOTES:

- MATERIAL:
METAL SHELL: BRASS
HOUSING: POLYAMIDE, UL94 V-0, COLOR BLACK
INSERT: POLYAMIDE, UL94 V-0, COLOR BLACK
TERMINAL: PHOSPHOR BRONZE
- PLATING:
TERMINAL:
CONTACT AREA: GOLD(Au), THICKNESS=50 MICROINCH/1.27 MICROMETER
SOLDER TAIL: TIN(Sn), THICKNESS=100 MICROINCH MINIMUM
UNDER PLATE: NICKEL (Ni), THICKNESS=50 MICROINCH/1.27 MICROMETER
METAL SHELL:
SOLDER AREA: TIN(Sn), THICKNESS=100 MICROINCH MINIMUM
UNDER PLATE: NICKEL (Ni), (SOLDERING AVAILABLE)
SURFACE APPEARANCE: BRIGHT.
- RECOMMENDED PCB THICKNESS: 1.60±0.05
- PRODUCT SPECIFICATION REFER TO PS-48025-002
- TEST SUMMARY REFER TO TS-48025-005
- PACKAGING SPECIFICATION REFER TO PK-48025-001
- LEAD FREE AND ROHS COMPLIANCE PRODUCT.

THIS DRAWING CONTAINS INFORMATION THAT IS PROPRIETARY TO MOLEX ELECTRONIC TECHNOLOGIES, LLC AND SHOULD NOT BE USED WITHOUT WRITTEN PERMISSION									
SYMBOLS		DIMENSION UNITS		SCALE		CURRENT REV DESC:			
∇ = 0	mm	1:1		EC NO: 637574 DRWN: CCHEN103 2019/08/30 CHK'D: SHLENI 2020/05/28 APPR: SHLENI 2020/05/28 INITIAL REVISION: DRWN: ALLIN 2005/08/01 APPR: WWSCHANG 2005/08/02					
E = 0	GENERAL TOLERANCES (UNLESS SPECIFIED)								
F = 0	ANGULAR TOL ± 3.0°								
S = 0	4 PLACES	±							
▼ = 0	3 PLACES	±							
∇ = 0	2 PLACES	± 0.25		DOCUMENT NUMBER		DOC TYPE		DOC PART	
⊠ = 0	1 PLACE	± 0.25		SD-48025-005		PSD		001	
■ = 0	0 PLACES	±		SERIES		CUSTOMER		REVISION	
∇ = 0	DRAFT WHERE APPLICABLE MUST REMAIN WITHIN DIMENSIONS			THIRD ANGLE PROJECTION		MATERIAL NUMBER		SHEET NUMBER	
				A4-SIZE		48025		48025-4000	
						GENERAL MARKET		1 OF 2	

molex

MODULAR JACK WITH
INTEGRATED MAGNETICS LED (LEAD FREE
VERSION)

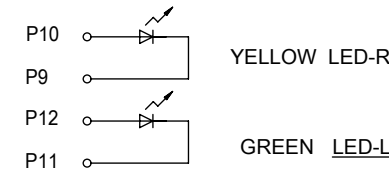
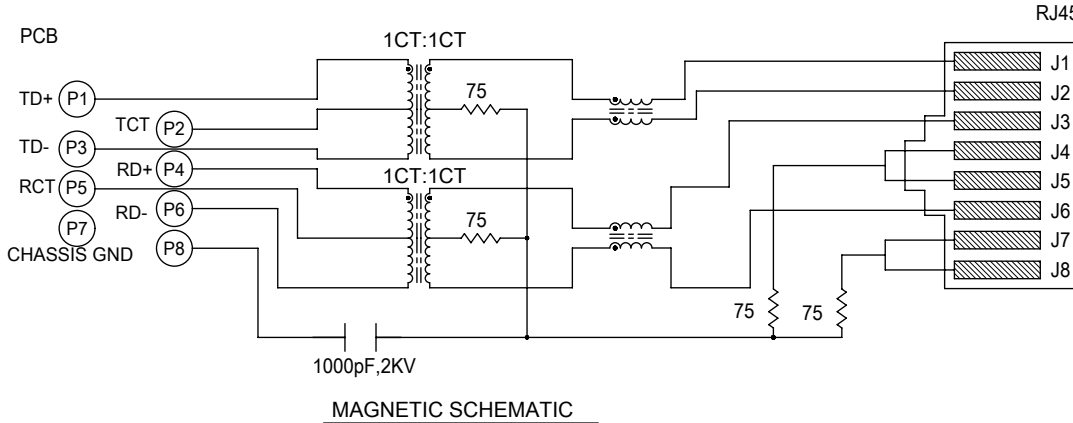
PRODUCT CUSTOMER DRAWING

MAGNETIC ELECTRICAL SPECIFICATIONS:

- 1.0 TURNS RATIO:(P4-P5-P6):(J3-J6):1CT:1CT
(P3-P2-P1):(J1-J2):1CT:1CT
- 2.0 INDUCTANCE:(P4-P6):350uH MIN. @0.1V,100KHz,8mA DC Bias.
(P3-P1):350uH MIN. @0.1V,100KHz,8mA DC Bias.
- 3.0 LEAKAGE INDUCTANCE:P6-P5-P4(WITH J6 AND J3 SHORT):0.3 MAX.@1MHz.
P3-P2-P1(WITH J2 AND J1 SHORT):0.3 MAX.@1MHz.
- 4.0 INTERWINDING CAPACITANCE:(P6,P5,P4) TO (J6,J3):30pf MAX @1MHz.
(P3,P2,P1) TO (J2,J1):30pf MAX @1MHz.
- 5.0 DC RESISTANCE:(J6-J3)=(J2-J1):1.3 ohms Max.
- 6.0 RETURN LOSS:(P4-P6)(P1-P3)
1MHz TO 30MHz:18dB min.
30MHz TO 80MHz:12dB min.
- NOTE:100 OHMS CONNECTED TO (J2-J1) OR (J3-J6).
- 7.0 HI-POT:(J1,J2) TO (P1,P3):1500 VAC OR 2250 VDC.
(J3,J6) TO (P4,P6):1500 VAC OR 2250 VDC.
- 8.0 INSERTION LOSS:1.1 dB MAX.
100KHz TO 100MHz.
- 9.0 CROSS TALK:1-100 MHz:30 dB MIN.
- 10.0 COMMON TO COMMON MODE REJECTION:1MHz TO 100MHz:35 dB MIN.

LED ELECTRICAL SPECIFICATION

PARAMETER	YELLOW (TYP.)	GREEN (TYP.)	UNITS	TEST CONDITIONS
POWER DISSIPATION	105	105	mW	
REVERSE VOLTAGE	5	5	V	
PEAK WAVELENGTH	585	565	nm	IF=20mA
FORWARD VOLTAGE	2.1 MAX.=2.5	2.2 MAX.=2.5	V	IF=20mA



SYMBOLS DIMENSION UNITS: mm SCALE: 1:1 CURRENT REV DESC: EC NO: 637574 DRWN: CCHEN103 2019/08/30 CHK'D: SHLENI 2020/05/28 APPR: SHLENI 2020/05/28 INITIAL REVISION: DRWN: ALLIN 2005/08/01 APPR: WWSCHANG 2005/08/02	THIS DRAWING CONTAINS INFORMATION THAT IS PROPRIETARY TO MOLEX ELECTRONIC TECHNOLOGIES, LLC AND SHOULD NOT BE USED WITHOUT WRITTEN PERMISSION		
GENERAL TOLERANCES (UNLESS SPECIFIED) ANGULAR TOL ± 3.0° 4 PLACES ± 3 PLACES ± 2 PLACES ± 0.25 1 PLACE ± 0.25 0 PLACES ±	PRODUCT CUSTOMER DRAWING DOCUMENT NUMBER: SD-48025-005 DOC TYPE: PSD DOC PART: 001 REVISION: C1		
DRAFT WHERE APPLICABLE MUST REMAIN WITHIN DIMENSIONS 	THIRD ANGLE PROJECTION 	DRAWING: A4-SIZE	SERIES: 48025 MATERIAL NUMBER: 48025-4000 CUSTOMER: GENERAL MARKET SHEET NUMBER: 2 OF 2