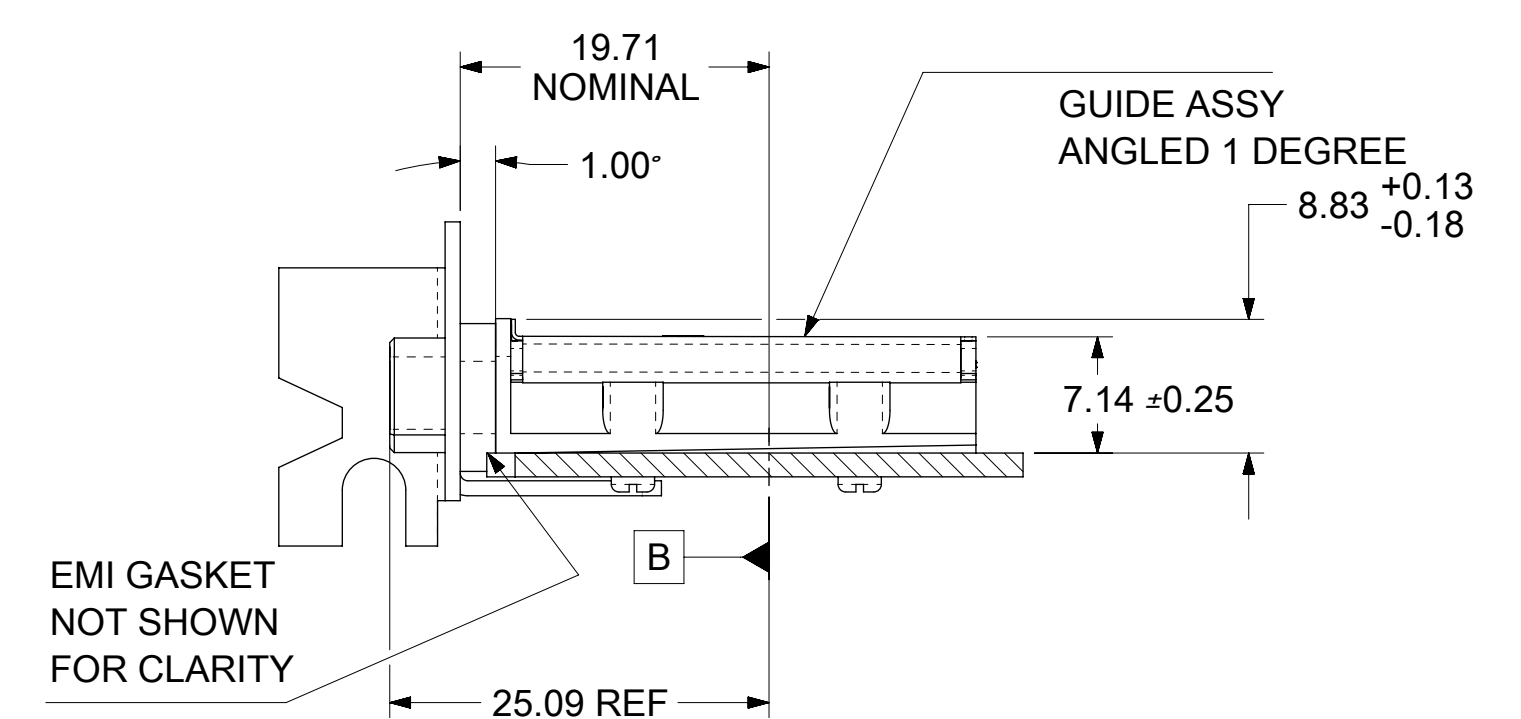


PCIe EXPANSION CARD APPLICATION SHOWN USING 1 DEGREE GUIDE HOUSING ASSEMBLY

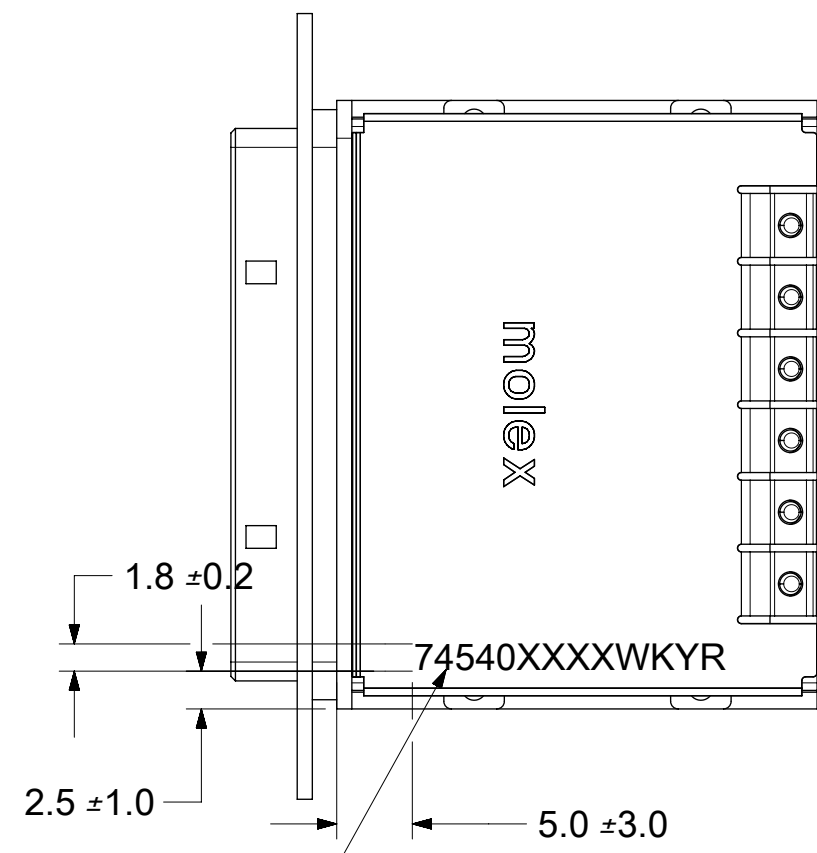
- NOTES:
- REF. PCI EXPRESS CARD ELECTROMECHANICAL SPECIFICATION, REV 1.0a FOR IO BRACKET WINDOW LOCATION.
 - PCB AND IO BRACKET SHOWN FOR REFERENCE ONLY.
 - REFER TO SHEET 2 FOR ATCA GUIDE HOUSING ASSY.
 - GUIDE HOUSING MOUNTING THREAD= M2 X 0.4, SEE SHEET 3 FOR SCREW LENGTH + TORQUE SPEC.
 - PCB NOTCH IS SHOWN FOR PCI COMPLIANT BOARD.
 - THIS PRODUCT MEETS THE RESTRICTION OF HAZARDOUS SUBSTANCES IN ELECTRICAL AND ELECTRONIC EQUIPMENT (RoHS) DIRECTIVE (2002/95/EC).
 - PLATE GROUND PAD WITH EMERSION SILVER OR GOLD.
 - MATES WITH MOLEX 8X CABLE SERIES 74546-080X.
 - GUIDE HOUSING PEGS FOR ALIGNMENT ONLY, DO NOT SOLDER.
 - MATERIAL: Ni PLATED ZINC DIECAST.



PCIe GUIDE HOUSING ASSEMBLY

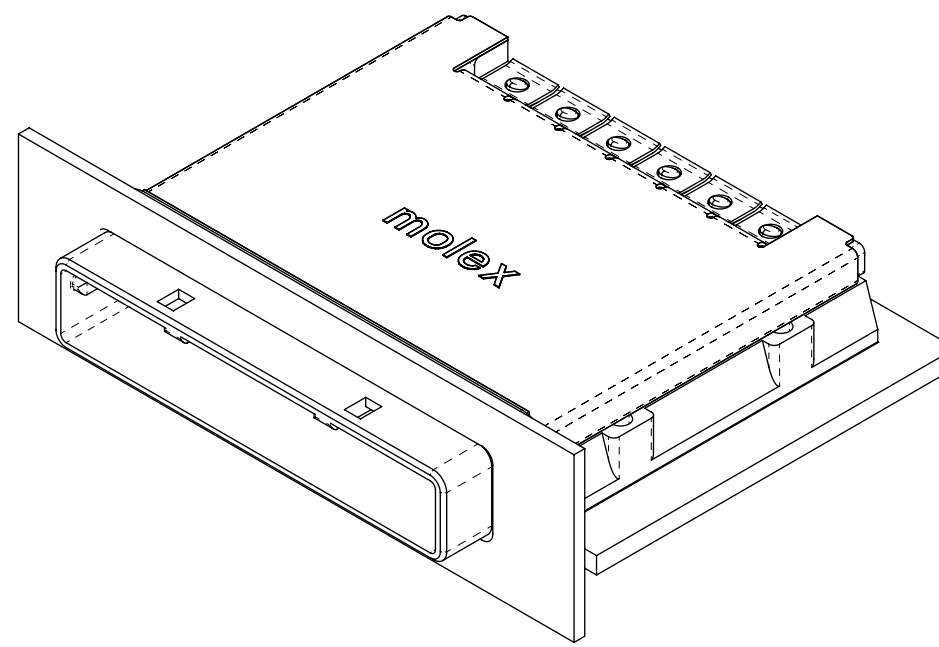
iPass™ is a trademark of Molex

SYMBOLS		THIS DRAWING CONTAINS INFORMATION THAT IS PROPRIETARY TO MOLEX ELECTRONIC TECHNOLOGIES, LLC AND SHOULD NOT BE USED WITHOUT WRITTEN PERMISSION		CURRENT REV DESC: SEE REVISION TABLE	
$\nabla = 0$	DIMENSION UNITS	SCALE	GENERAL TOLERANCES (UNLESS SPECIFIED)		
$\nabla = 0$	mm	2:1	ANGULAR TOL $\pm 0.5^\circ$		
$\nabla = 0$	4 PLACES	\pm	EC NO: 610421		
$\nabla = 0$	3 PLACES	\pm	DRWN: NMUTHARAYAPP 2018/12/26		
$\nabla = 0$	2 PLACES	± 0.05	CHK'D: VK10 2019/01/15		
$\nabla = 0$	1 PLACE	± 0.1	APPR: RCHEN08 2019/01/15		
$\nabla = 0$	0 PLACES	\pm	INITIAL REVISION:		
$\nabla = 0$	DRAFT WHERE APPLICABLE MUST REMAIN WITHIN DIMENSIONS	THIRD ANGLE PROJECTION	DRAWING	SERIES	DOCUMENT NUMBER
$\nabla = 0$			C-SIZE	74540	745400101
					DOC TYPE DOC PART REVISION
					PSD ASY K
					MATERIAL NUMBER CUSTOMER SHEET NUMBER
					SEE P/N TABLE 1 OF 4



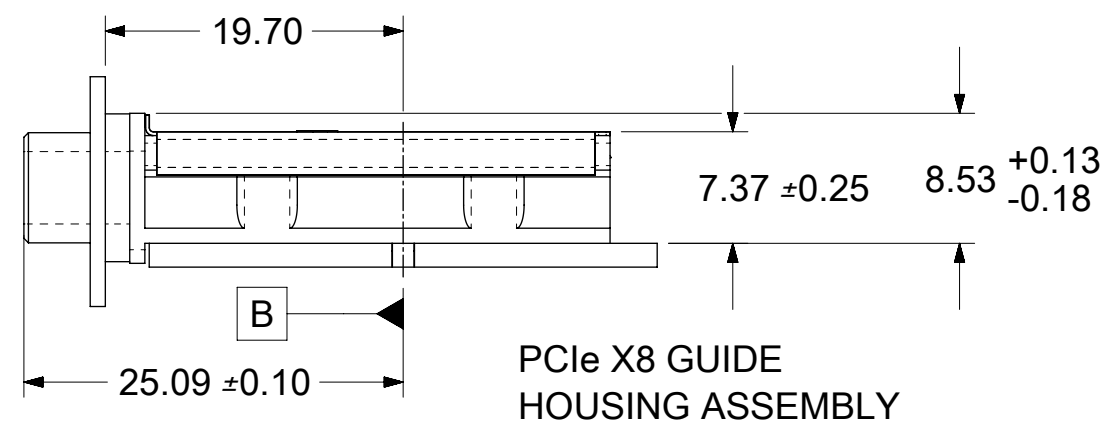
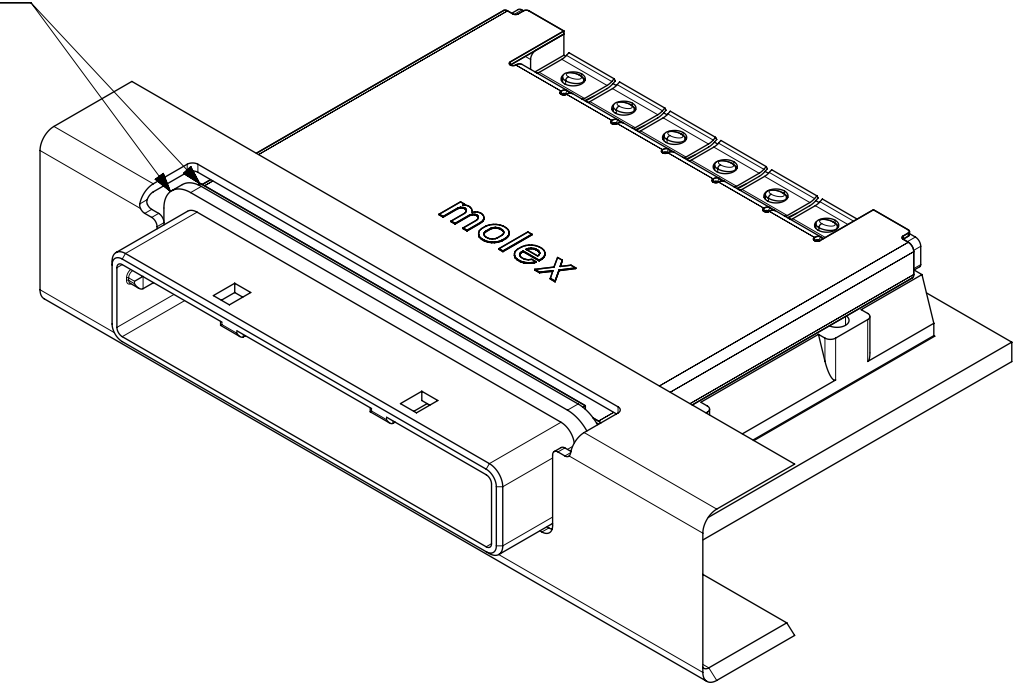
P/N AND WEEK/YEAR DATE CODE TO BE PRINTED ON THE TOP OF COMPLETED CAGE ASSEMBLY AS SHOWN. SEE TABLE BELOW FOR DATE CODE INFORMATION.

WEEK/YEAR DATE CODE TABLE	
WK	WEEK OF THE YEAR 01 THRU 52 (EXAMPLE: 01= FIRST WEEK OF YEAR 52= LAST WEEK OF YEAR)
YR	19, 20, 21,, ETC.. (EXAMPLE: YEAR 2019= 19)

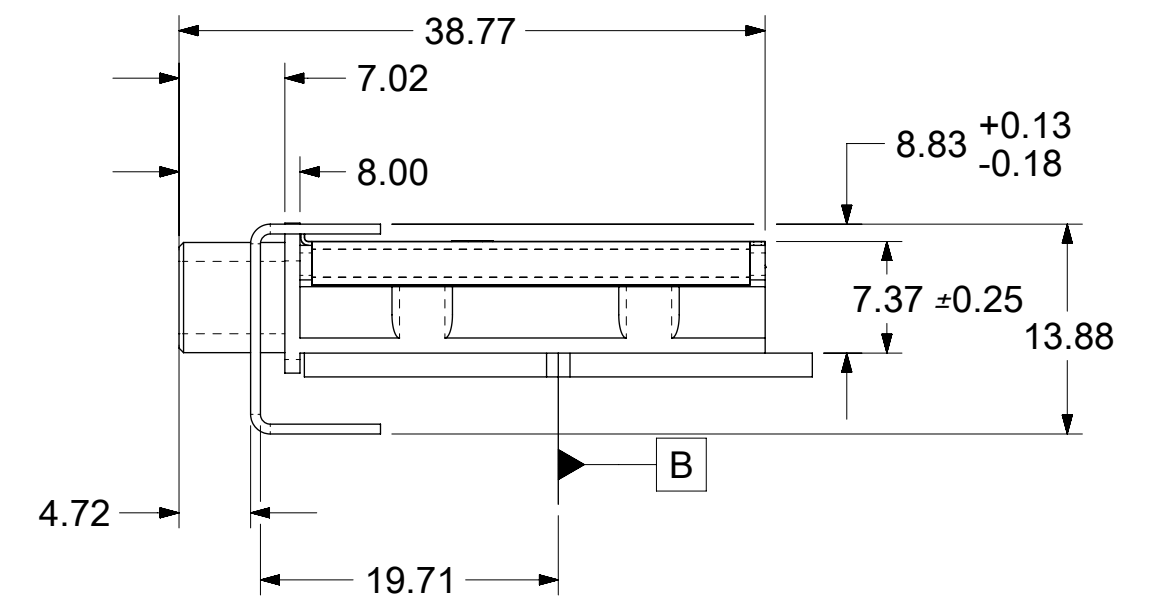
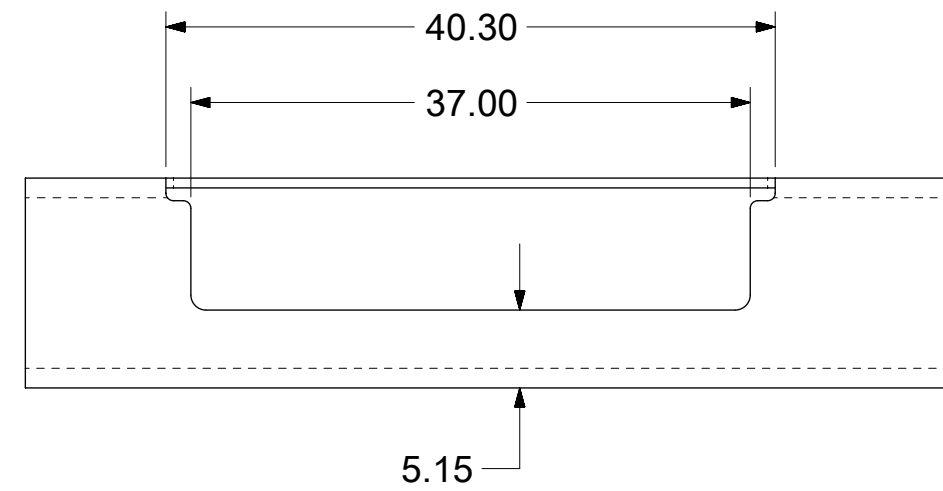


STANDARD APPLICATION SHOWN USING 0 DEG GUIDE HOUSING ASSEMBLY

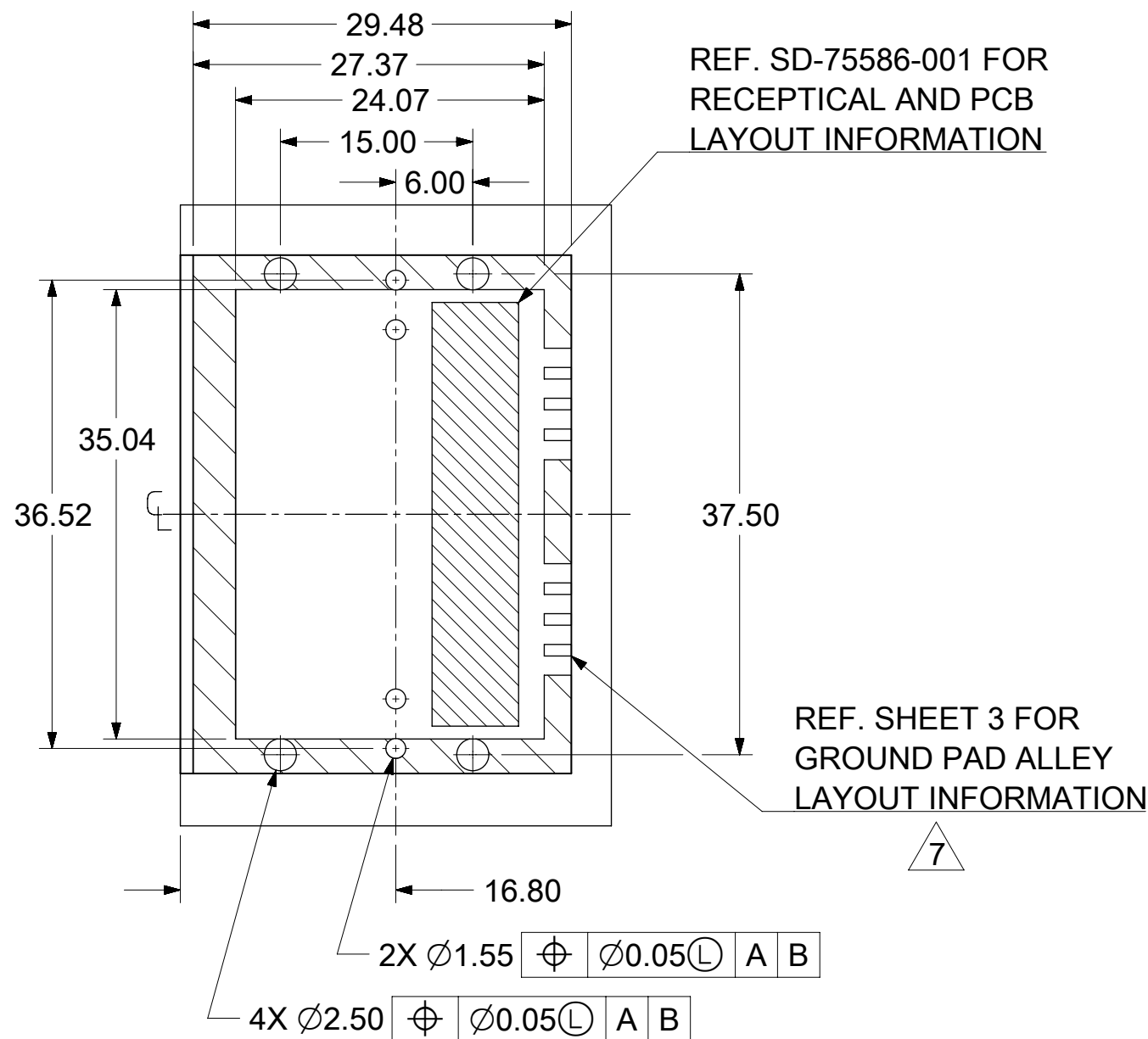
GASKETS NOT SHOWN FOR CLARITY



PCIe X8 GUIDE HOUSING ASSEMBLY



ADVANCED TCA APPLICATION USING 0 DEG GUIDE HOUSING ASSEMBLY



REF. SD-75586-001 FOR RECEPTICAL AND PCB LAYOUT INFORMATION

REF. SHEET 3 FOR GROUND PAD ALLEY LAYOUT INFORMATION



iPass™ is a trademark of Molex

THIS DRAWING CONTAINS INFORMATION THAT IS PROPRIETARY TO MOLEX ELECTRONIC TECHNOLOGIES, LLC AND SHOULD NOT BE USED WITHOUT WRITTEN PERMISSION									
SYMBOLS	DIMENSION UNITS	SCALE	CURRENT REV DESC: SEE REVISION TABLE						
▽ = 0	mm	2:1	EC NO: 610421 DRWN: NMUTHARAYAPP 2018/12/26 CHK'D: VK10 2019/01/15 APPR: RCHEN08 2019/01/15 INITIAL REVISION: DRWN: NMUTHARAYAPP 2018/12/26 APPR: RCHEN08 2019/01/15						
▽ = 0	GENERAL TOLERANCES (UNLESS SPECIFIED)								
▽ = 0	ANGULAR TOL ± 0.5°								
▽ = 0	4 PLACES ±								
▽ = 0	3 PLACES ±								
▽ = 0	2 PLACES ± 0.05								
▽ = 0	1 PLACE ± 0.1		DOCUMENT NUMBER: 745400101 DOC TYPE: PSD DOC PART: ASY REVISION: K						
⊠ = 0	0 PLACES ±		MATERIAL NUMBER: SEE P/N TABLE		CUSTOMER:		SHEET NUMBER: 2 OF 4		
■ = 0	DRAFT WHERE APPLICABLE MUST REMAIN WITHIN DIMENSIONS		THIRD ANGLE PROJECTION		DRAWING: C-SIZE		SERIES: 74540		

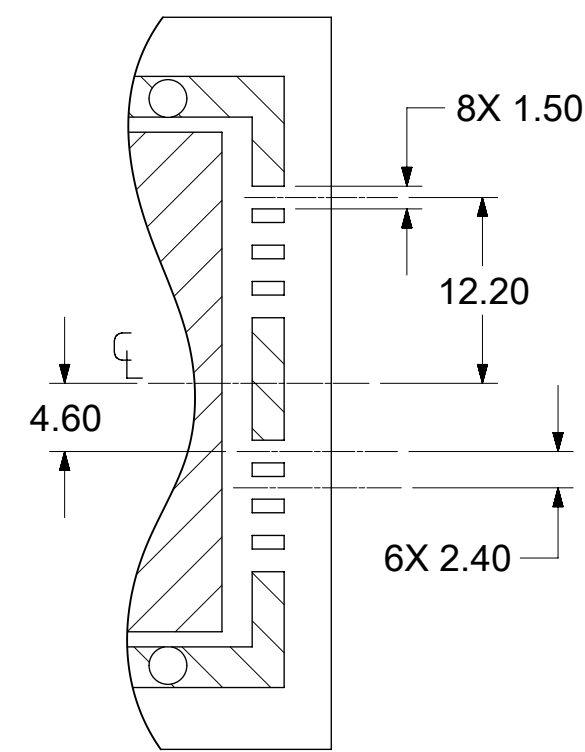
moLEX

I-PASS X8 EMI GUIDE HOUSING ASSEMBLY W/ KEYS

PRODUCT CUSTOMER DRAWING

MOLEX P/N	DESCRIPTION	GEN
745400101	8x EMI Guide Housing Assembly - PCIe / 1 Deg	Gen 1
745400201	8x EMI Guide Housing Assembly - ATCA / 0 Deg	Gen 1

PCB THICKNESS	SCREW LENGTH	TORQUE(IN LBS)
1.6	5MM	2.3
2.38	6MM	2.3
3.2	6MM	2.3
X	+4MM MAX	2.3



GROUND PAD ALLEY
LAYOUT INFORMATION



THIS DRAWING CONTAINS INFORMATION THAT IS PROPRIETARY TO MOLEX ELECTRONIC TECHNOLOGIES, LLC AND SHOULD NOT BE USED WITHOUT WRITTEN PERMISSION										
SYMBOLS	DIMENSION UNITS	SCALE	CURRENT REV DESC: SEE REVISION TABLE							
= 0	mm	2:1	molex I-PASS X8 EMI GUIDE HOUSING ASSEMBLY W/ KEYS PRODUCT CUSTOMER DRAWING							
= 0	GENERAL TOLERANCES (UNLESS SPECIFIED)									
= 0	ANGULAR TOL ± 0.5°									
= 0	4 PLACES ±									
= 0	3 PLACES ±		EC NO: 610421	2018/12/26			DOCUMENT NUMBER 745400101			
= 0	2 PLACES ± 0.05		DRWN: NMUTHARAYAPP	2019/01/15						
= 0	1 PLACE ± 0.1		CHK'D: VK10	2019/01/15						
= 0	0 PLACES ±		APPR: RCHEN08	2019/01/15			DOC TYPE	DOC PART	REVISION	
= 0	DRAFT WHERE APPLICABLE MUST REMAIN WITHIN DIMENSIONS		INITIAL REVISION:		2018/12/26			PSD	ASY	K
= 0	THIRD ANGLE PROJECTION		DRWN: NMUTHARAYAPP		2019/01/15			MATERIAL NUMBER	CUSTOMER	SHEET NUMBER
= 0	DRAWING		APPR: RCHEN08		2019/01/15			SEE P/N TABLE		3 OF 4
= 0	C-SIZE		SERIES		74540					

REVISION HISTORY

REV	DATE (YEAR/MONTH/DAY)	DESCRIPTION
H	2013/12/18	1. ADDED NOTES 10. MATERIAL: Ni PLATED ZINC DIECAST. [SHT 1] 2. CHANGED W/ NEW MOLEX FORMAT
J	2014/07/11	1. CHANGED 25.16 TO 25.09REF TO MEET PCI EXPRESS EXTERNAL CABLING SPECIFICATION @A9 [SHEET 1] 2. ADDED MM 3D NO. @F10 [SHEET 1] 3. THE MOLEX CHARACTER FIGURE UPDATE @F2 [SHEET 1], @F2 F5 [SHEET 2] 4. CHANGED 25.09 TO 25.09+/-0.1 @E9 [SHEET 2]
K	2019/01/15	1. REMASTERD FROM SD-74540-101 REV J TO 745400101 PSD ASY REV_K IN NX 2. SHEET 2: G11 :ADDED TOP VIEW AND PLACED INK MARK IN TOP VIEW

SYMBOLS										THIS DRAWING CONTAINS INFORMATION THAT IS PROPRIETARY TO MOLEX ELECTRONIC TECHNOLOGIES, LLC AND SHOULD NOT BE USED WITHOUT WRITTEN PERMISSION									
DIMENSION UNITS					SCALE					CURRENT REV DESC: SEE REVISION TABLE									
mm					1:1					EC NO: 610421 DRWN: NMUTHARAYAPP 2018/12/26 CHK'D: VK10 2019/01/15 APPR: RCHEN08 2019/01/15 INITIAL REVISION: DRWN: NMUTHARAYAPP 2018/12/26 APPR: RCHEN08 2019/01/15									
GENERAL TOLERANCES (UNLESS SPECIFIED)																			
ANGULAR TOL ± 0.5°					4 PLACES ±														
3 PLACES ±					2 PLACES ± 0.05														
1 PLACE ± 0.1					0 PLACES ±					PRODUCT CUSTOMER DRAWING									
DRAFT WHERE APPLICABLE MUST REMAIN WITHIN DIMENSIONS					THIRD ANGLE PROJECTION					DRAWING					SERIES				
					C-SIZE					74540					DOCUMENT NUMBER				
															745400101				
															DOC TYPE				
															PSD				
															DOC PART				
															ASY				
															REVISION				
															K				
															MATERIAL NUMBER				
															SEE P/N TABLE				
															CUSTOMER				
															SHEET NUMBER				
															4 OF 4				

molex

I-PASS X8 EMI
GUIDE HOUSING ASSEMBLY W/ KEYS

PRODUCT CUSTOMER DRAWING

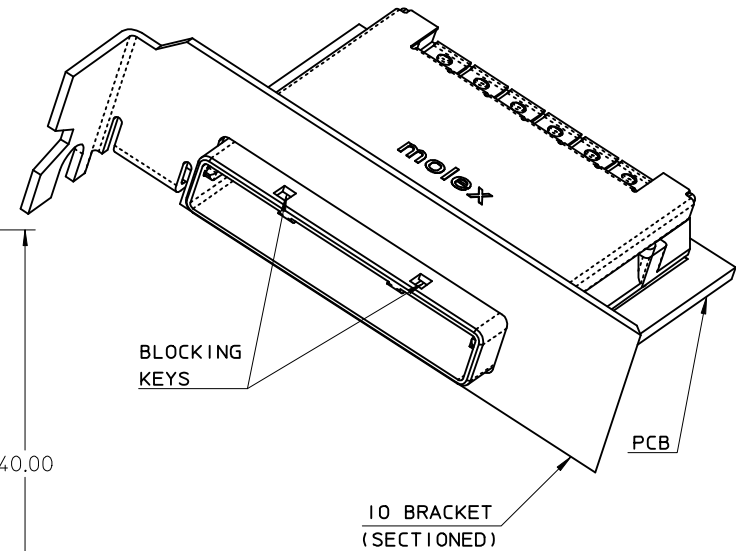
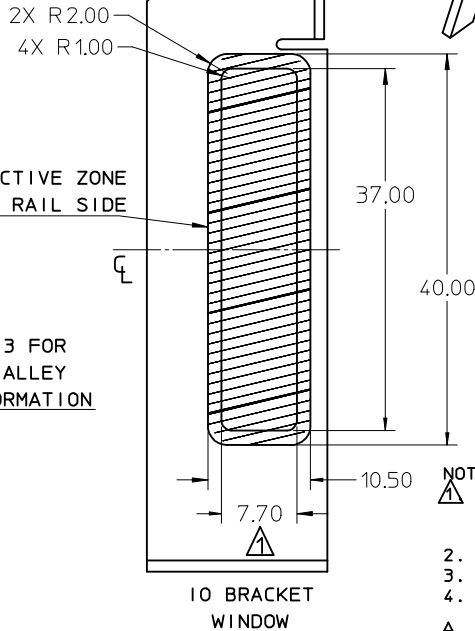
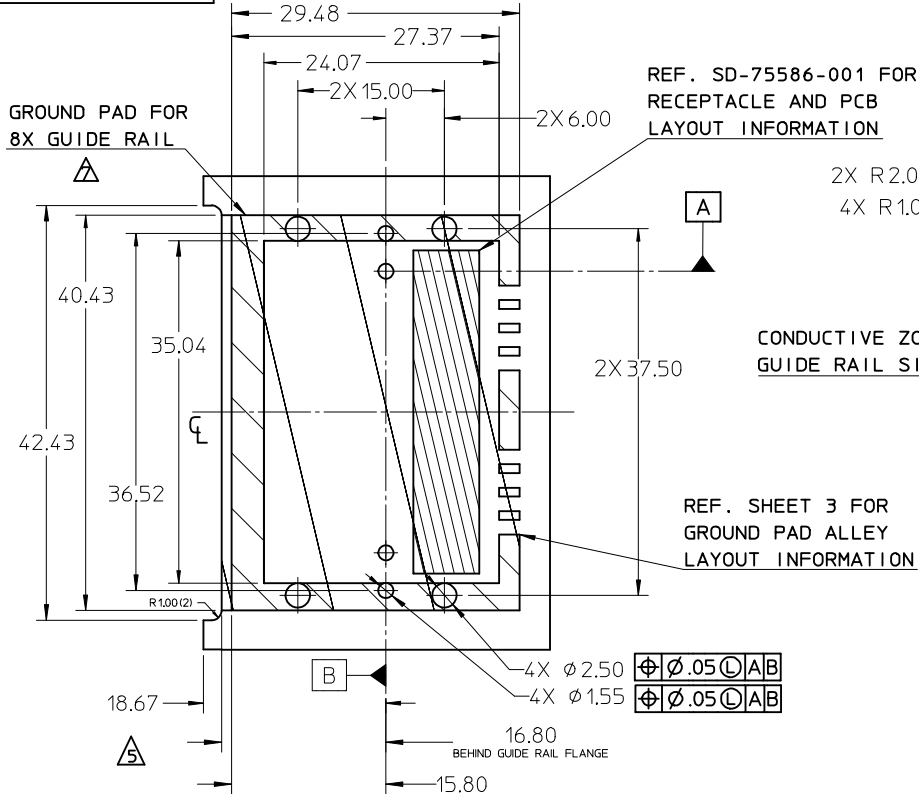
DOCUMENT NUMBER DOC TYPE DOC PART REVISION

745400101 PSD ASY K

MATERIAL NUMBER CUSTOMER SHEET NUMBER

SEE P/N TABLE 4 OF 4

MM : TM-74540-0206



PCIe EXPANSION CARD APPLICATION SHOWN USING 1 DEGREE GUIDE HOUSING ASSEMBLY

NOTES:

- REF. PCI EXPRESS CARD ELECTROMECHANICAL SPECIFICATION, REV 1.0a FOR 10 BRACKET WINDOW LOCATION.
- PCB AND 10 BRACKET SHOWN FOR REFERENCE ONLY.
- REFER TO SHEET 2 FOR ATCA GUIDE HOUSING ASSY.
- GUIDE HOUSING MOUNTING THREAD= M2 X 0.4, SEE SHEET 3 FOR SCREW LENGTH + TORQUE SPEC.
- PCB NOTCH IS SHOWN FOR PCI COMPLIANT BOARD.
- THIS PRODUCT MEETS THE RESTRICTION OF HAZARDOUS SUBSTANCES IN ELECTRICAL AND ELECTRONIC EQUIPMENT (RoHS) DIRECTIVE (2002/95/EC).
- PLATE GROUND PAD WITH EMERSION SILVER OR GOLD.
- MATES WITH MOLEX 8X CABLE SERIES 74546-080X.
- GUIDE HOUSING PEGS FOR ALIGNMENT ONLY, DO NOT SOLDER.
- MATERIAL: NI PLATED ZINC DIECAST.

iPass™ is a trademark of Molex

SCALE 2:1 DESIGN UNITS METRIC THIRD ANGLE PROJECTION

I-PASS X8 EMI GUIDE HOUSING ASSEMBLY W/ KEYS

molex

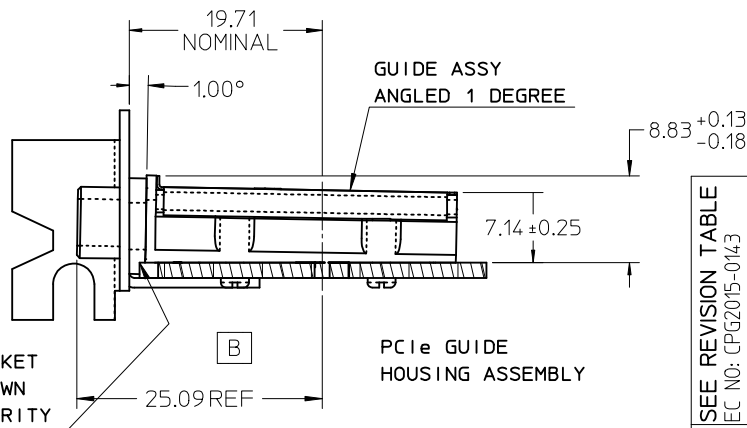
DOCUMENT NO. SD-74540-101

SHEET NO. 1 OF 4

SEE P/N TABLE

DRAFT WHERE APPLICABLE MUST REMAIN WITHIN DIMENSIONS

THIS DRAWING CONTAINS INFORMATION THAT IS PROPRIETARY TO MOLEX INCORPORATED AND SHOULD NOT BE USED WITHOUT WRITTEN PERMISSION



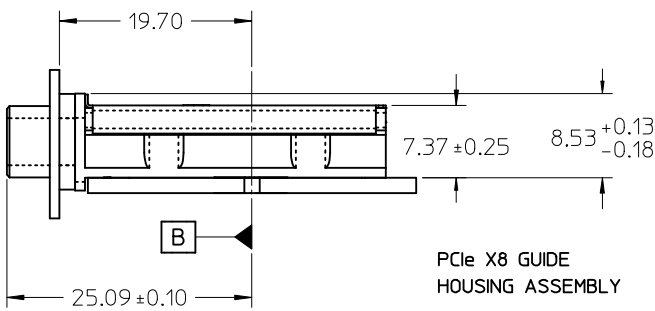
SEE REVISION TABLE	QUALITY SYMBOLS
EC NO: CPG2015-0143	▽/0
DRW:HEMANG07 2014/07/11	▽/0
CHKD:SYANG16 2014/07/14	▽/0
APPR:RCHEN08 2014/07/28	

GENERAL TOLERANCES (UNLESS SPECIFIED)
mm INCH
4 PLACES ± --- ± ---
3 PLACES ± --- ± ---
2 PLACES ± 0.05 ± ---
1 PLACE ± 0.10 ± ---
0 PLACE ± ±

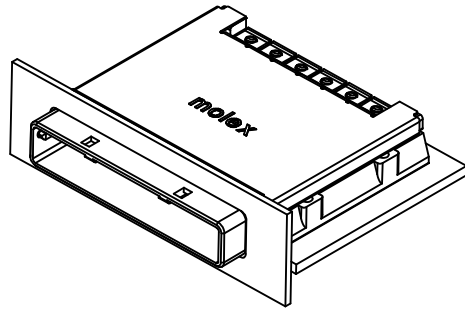
ANGULAR ± 1/2°
SIZE B

DIMENSION STYLE MM ONLY
DRAWN BY DATE
JERWIN 2006/05/25
CHECKED BY DATE
BREED 2006/05/25
APPROVED BY DATE
DDOYE 2006/05/25

10 9 8 7 6 5 4 3 2 1

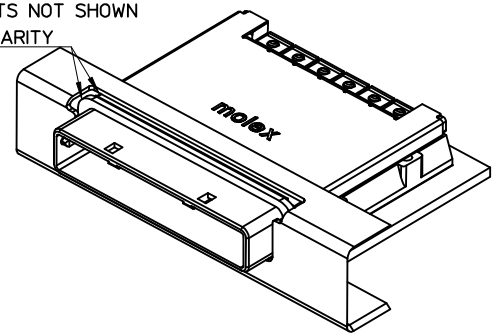


PCIe X8 GUIDE HOUSING ASSEMBLY

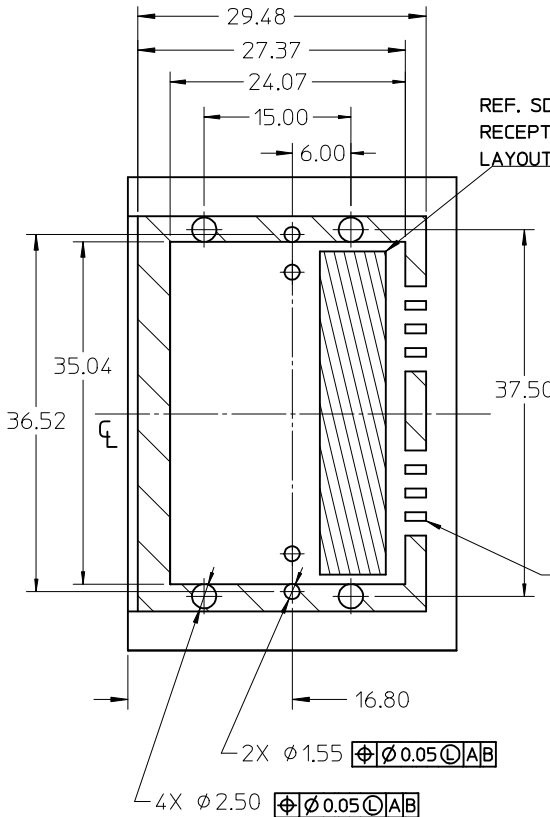


STANDARD APPLICATION SHOWN USING 0 DEG GUIDE HOUSING ASSEMBLY

GASKETS NOT SHOWN FOR CLARITY

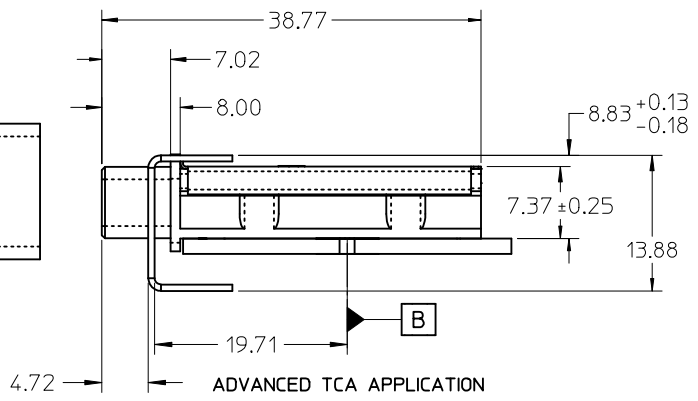
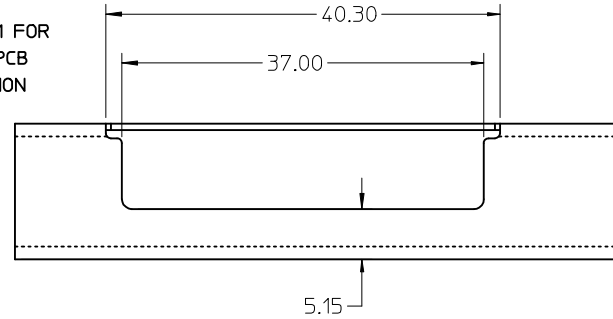


ADVANCED TCA APPLICATION USING 0 DEG GUIDE HOUSING ASSEMBLY



REF. SD-75586-001 FOR RECEPTAL AND PCB LAYOUT INFORMATION

REF. SHEET 3 FOR GROUND PAD ALLEY LAYOUT INFORMATION



iPass™ is a trademark of Molex

SEE REVISION TABLE

EC NO: CPG2015-0143	2014/07/11
DRW:NEWANG07	2014/07/14
CHKD:SYANG16	2014/07/28
APPR:RCHEN08	

REV	DESCRIPTION
▽E/0	
▽E/0	
▽E/0	

GENERAL TOLERANCES (UNLESS SPECIFIED)	
	mm
4 PLACES	± ---
3 PLACES	± ---
2 PLACES	± 0.05
1 PLACE	± 0.10
0 PLACE	±
ANGULAR ±1/2°	
DRAFT WHERE APPLICABLE MUST REMAIN WITHIN DIMENSIONS	

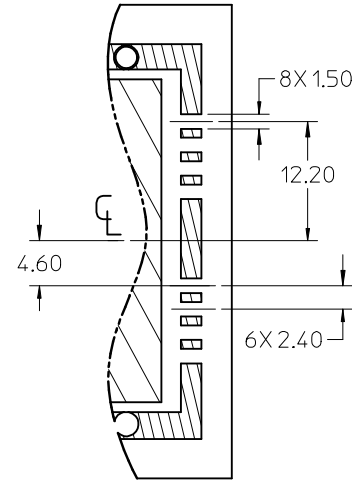
DIMENSION STYLE	
MM ONLY	
DRAWN BY	DATE
JERWIN	2006/05/25
CHECKED BY	DATE
BREED	2006/05/25
APPROVED BY	DATE
DDOYE	2006/05/25
MATERIAL NO.	
SEE P/N TABLE	

SCALE	DESIGN UNITS	THIRD ANGLE PROJECTION
2:1	METRIC	☉ □
TITLE		
I-PASS X8 EMI GUIDE HOUSING ASSEMBLY W/ KEYS		
molex		
DOCUMENT NO.	SHEET NO.	
SD-74540-101	2 OF 4	

9 8 7 6 5 4 3 2 1

MOLEX P/N	DESCRIPTION	GEN
745400101	8x EMI Guide Housing Assembly - PCIe / 1 Deg	Gen 1
745400201	8x EMI Guide Housing Assembly - ATCA / 0 Deg	Gen 1

PCB THICKNESS	SCREW LENGTH	TORQUE (IN LBS)
1.6 (.063")	5MM	2.3
2.38 (.093")	6MM	2.3
3.2 (.125")	6MM	2.3
X	+4MM MAX	2.3



GROUND PAD ALLEY
LAYOUT INFORMATION



SEE REVISION TABLE EC NO: CPG2015-0143 DRAWN: WANG07 2014/07/11 CHKD: SYANG16 2014/07/14 APPR: RCHEN08 2014/07/28	QUALITY SYMBOLS ▽=0 ▽=0 ▽=0	GENERAL TOLERANCES (UNLESS SPECIFIED)		DIMENSION STYLE MM ONLY		SCALE 2:1	DESIGN UNITS METRIC	THIRD ANGLE PROJECTION	
		mm	INCH	DRAWN BY JERWIN	DATE 2006/05/25	TITLE I-PASS X8 EMI GUIDE HOUSING ASSEMBLY W/ KEYS	DOCUMENT NO. SD-74540-101		SHEET NO. 3 OF 4
		4 PLACES	± ---	± ---	CHECKED BY BREED	DATE 2006/05/25	molex		THIS DRAWING CONTAINS INFORMATION THAT IS PROPRIETARY TO MOLEX INCORPORATED AND SHOULD NOT BE USED WITHOUT WRITTEN PERMISSION
		3 PLACES	± ---	± ---	APPROVED BY DDOYE	DATE 2006/05/25			
		2 PLACES	± 0.05	± ---	MATERIAL NO.		SIZE B		
		1 PLACE	± 0.10	± ---	DRAFT WHERE APPLICABLE MUST REMAIN WITHIN DIMENSIONS				
		0 PLACE	±	±	ANGULAR ± 1/2°				

REVISION HISTORY

DATE (YEAR/MONTH/DAY)	REV	DESCRIPTION
2013/12/18	H	1. ADDED NOTES 10. MATERIAL: Ni PLATED ZINC DIECAST. [SHT 1] 2. CHANGED W/ NEW MOLEX FORMAT
2014/07/11	J	1. CHANGED 25.16 TO 25.09REF TO MEET PCI EXPRESS EXTERNAL CABLING SPECIFICATION @A9 [SHEET 1] 2. ADDED MM 3D NO. @F10 [SHEET 1] 3. THE MOLEX CHARACTER FIGURE UPDATE @F2 [SHEET 1], @F2 F5 [SHEET 2] 4. CHANGED 25.09 TO 25.09+/-0.1 @E9 [SHEET 2]

SEE REVISION TABLE EC NO: CPG2015-0143 DRW:NEWANG07 2014/07/11 CHKD:SYANG16 2014/07/14 APPR:RCHEN08 2014/07/28	QUALITY SYMBOLS	GENERAL TOLERANCES (UNLESS SPECIFIED)	DIMENSION STYLE	SCALE	DESIGN UNITS	THIRD ANGLE PROJECTION
	▽F/0	mm INCH	MM ONLY	1:1	METRIC	
	▽F/0	4 PLACES ± --- ± ---	DRAWN BY DATE	TITLE I-PASS X8 EMI GUIDE HOUSING ASSEMBLY W/ KEYS		
	▽F/0	3 PLACES ± --- ± ---	JERWIN 2006/05/25			
		2 PLACES ± 0.05 ± ---	CHECKED BY DATE	DOCUMENT NO. SD-74540-101 SHEET NO. 4 OF 4		
	1 PLACE ± 0.10 ± ---	BREED 2006/05/25				
	0 PLACE ± ±	APPROVED BY DATE	MATERIAL NO. THIS DRAWING CONTAINS INFORMATION THAT IS PROPRIETARY TO MOLEX INCORPORATED AND SHOULD NOT BE USED WITHOUT WRITTEN PERMISSION			
	ANGULAR ±1/2°	DDOYE 2006/05/25				
	DRAFT WHERE APPLICABLE MUST REMAIN WITHIN DIMENSIONS	SEE P/N TABLE				