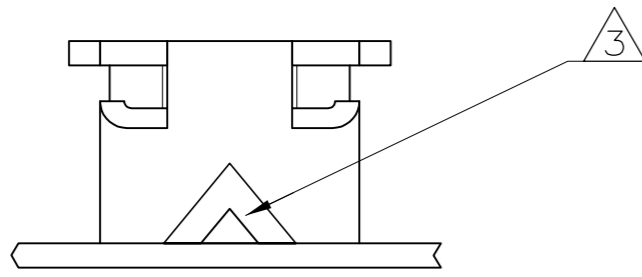
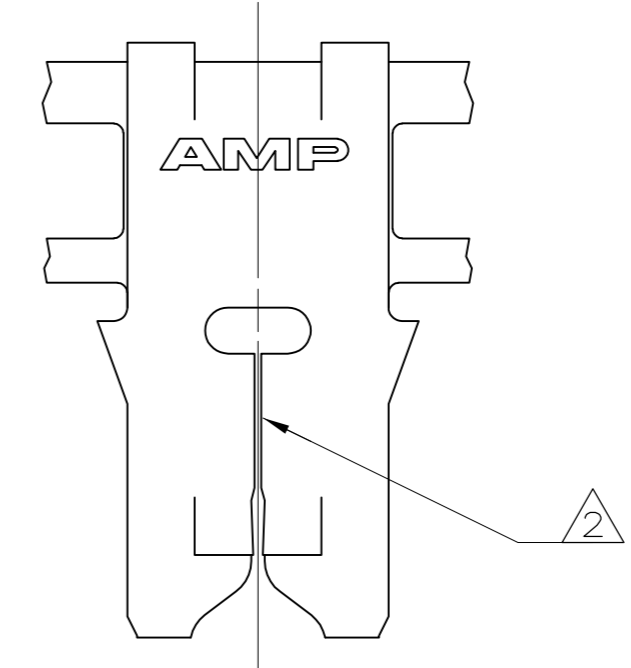
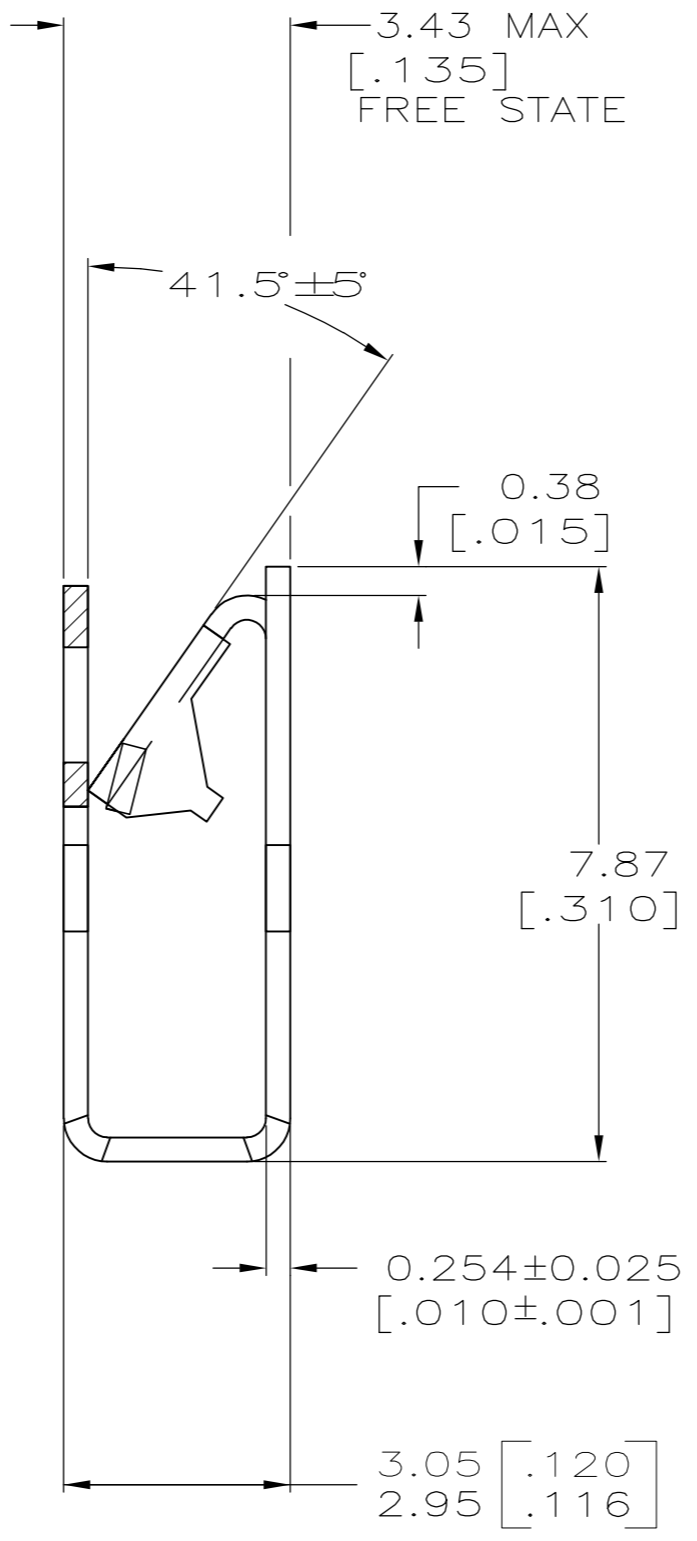
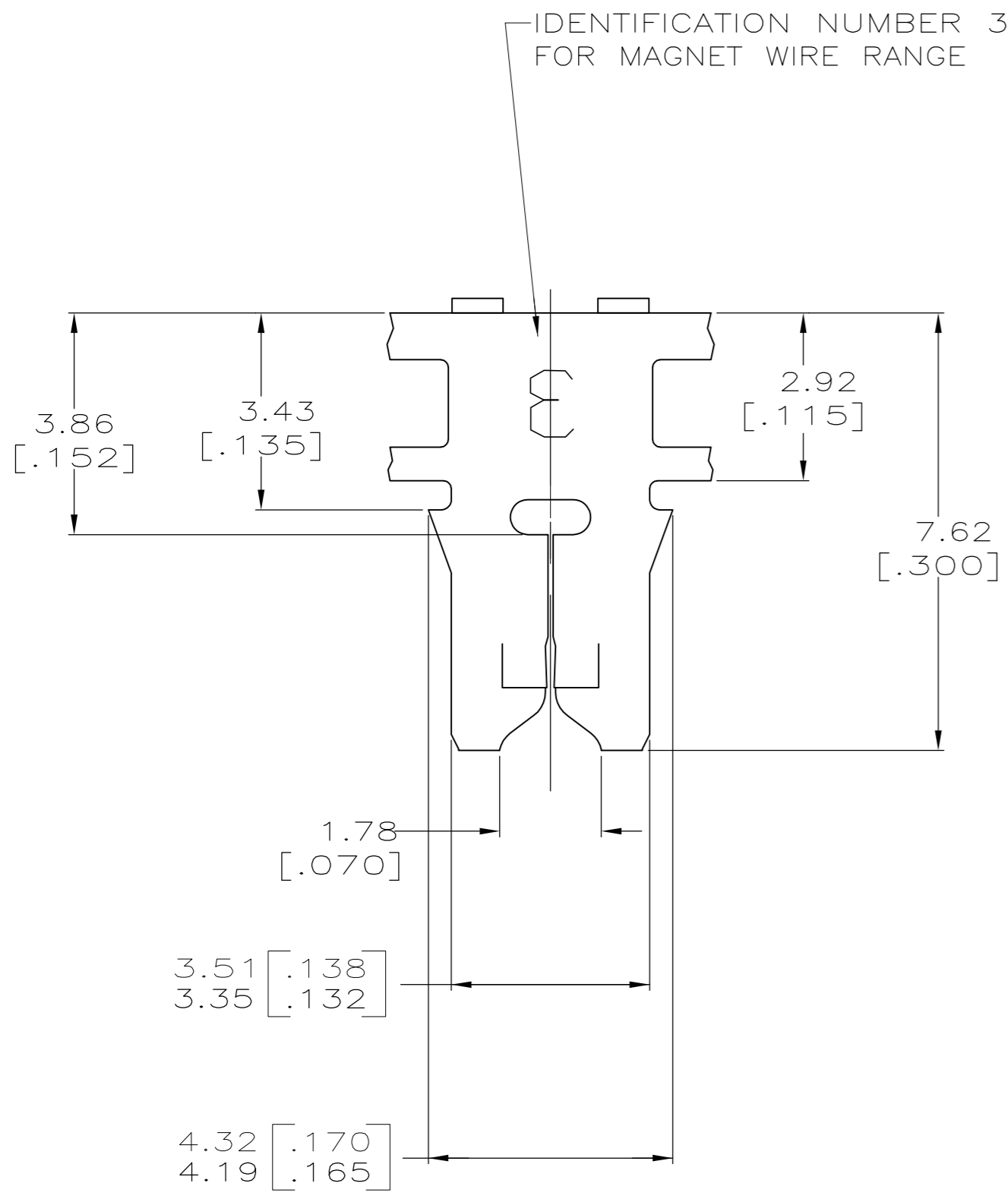


THIS DRAWING IS UNPUBLISHED. RELEASED FOR PUBLICATION
 © COPYRIGHT - By - ALL RIGHTS RESERVED.

LOC	DIST	REVISIONS			
P	LTR	DESCRIPTION	DATE	DWN	APVD
AF	50	D2	ECO-15-018205	18DEC15	PKS RRP



- 1 CONTINUOUS STRIP ON REELS WITH TERMINALS LOCATED ON 5.59±0.08 [.220±.003] CENTERS.
- 2 SLOT ACCEPTS 0.16-0.18mm [#34-#33] AWG COPPER MAGNET WIRE. 2 WIRES OF THE SAME SIZE PER SLOT.
- 3 POKE-IN ACCEPTS A 0.50-0.90mm² [#20-#18] AWG SLOID OR FUSED STRANDED LEAD WIRE.
- 4 REELED WITH PAPER ON PLASTIC REEL.
- 5 NON-US PRODUCTION ONLY.
- 6 TIN PLATE.
- 7 REELED WITH PAPER INTERLEAVE



-	4	63662-2	5
6	7	63662-1	
FINISH	PART NUMBER		

THIS DRAWING IS A CONTROLLED DOCUMENT.		DWN 19JUN2006 MICHAEL S. FEHER	TE Connectivity	
DIMENSIONS: INCHES		CHK 19JUN2006 KURT A. RANDOLPH	NAME	
TOLERANCES UNLESS OTHERWISE SPECIFIED:		APVD 19JUN2006 KURT A. RANDOLPH	PRODUCT SPEC	
0 PLC ± -		108-2012	APPLICATION SPEC	
1 PLC ± -		114-2046	RESTRICTED TO	
2 PLC ± 0.25 [.010]		WEIGHT -	SIZE A2	CAGE CODE 00779
3 PLC ± -		CUSTOMER DRAWING	DRAWING NO C=63662	SCALE 10:1
4 PLC ± -			SHEET 1 of 1	REV D2
ANGLES ± -				
FINISH SEE TABLE				