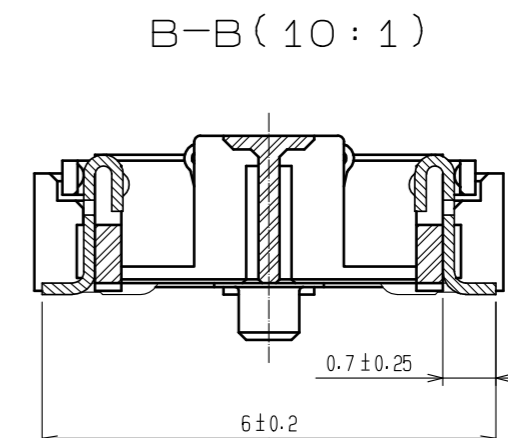
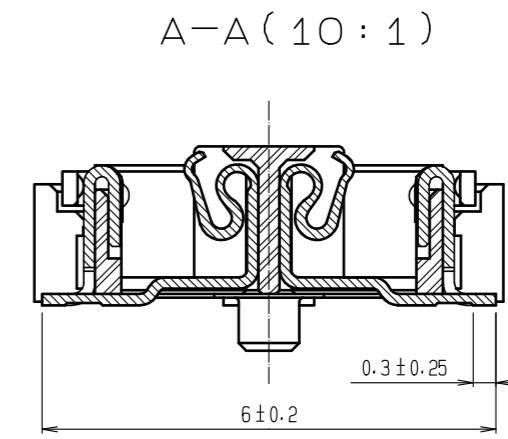
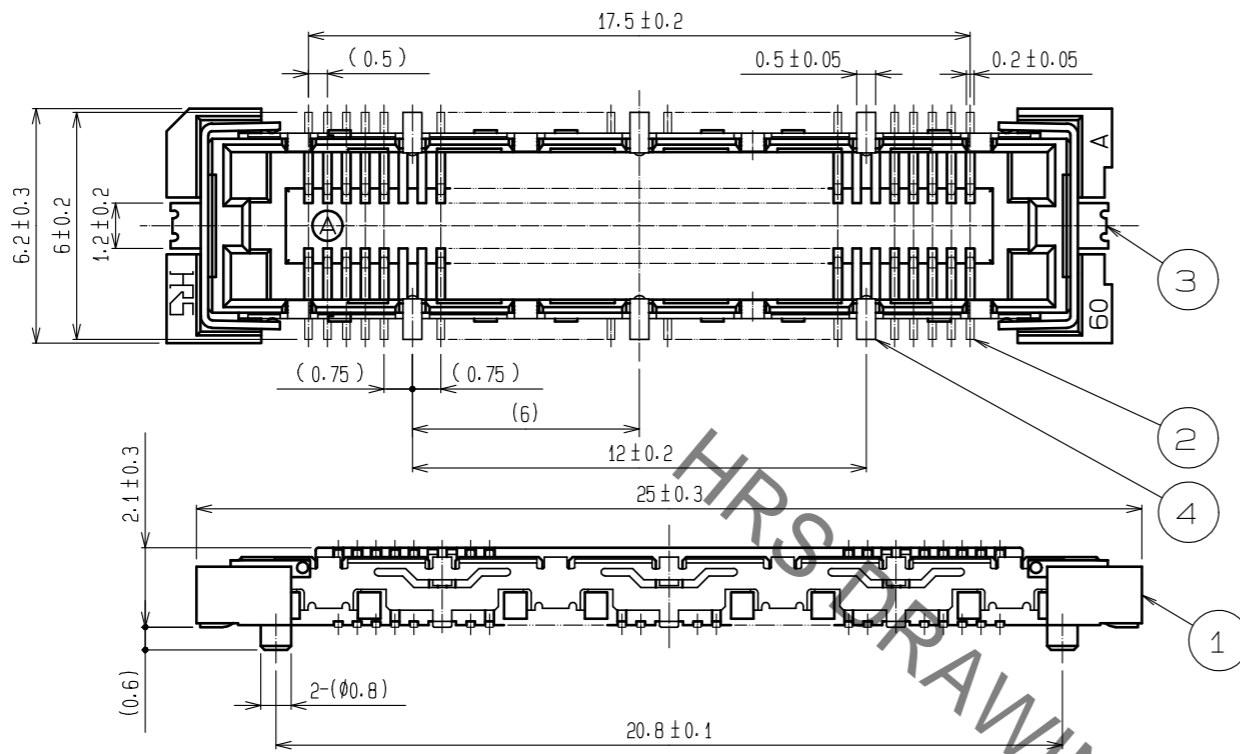
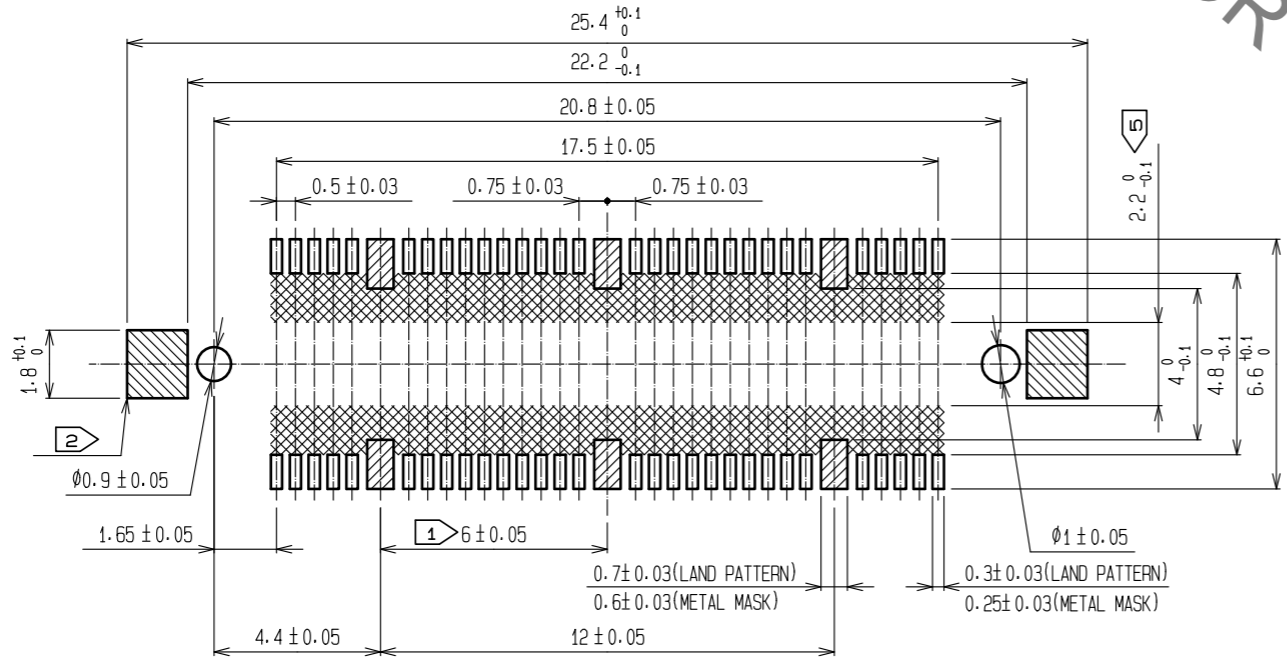


May.1.2023 Copyright 2023 HIROSE ELECTRIC CO., LTD. All Rights Reserved.  
In case of consideration for using Automotive equipment / device which demand high reliability, kindly contact our sales window correspondents.



RECOMMENDED LAND PATTERN DIMENSION OF PCB  
(RECOMMENDED METAL MASK THICKNESS: 0.15mm)

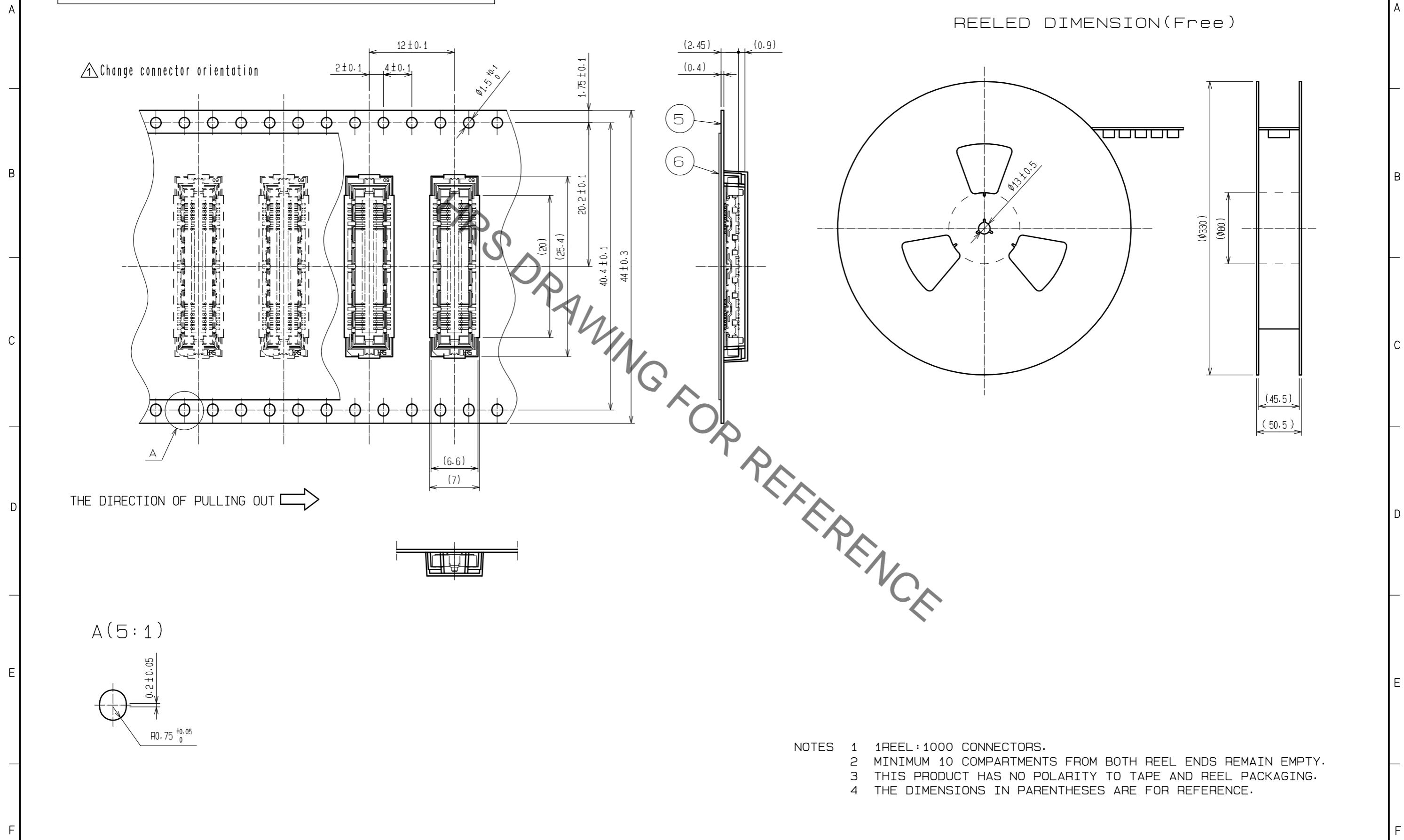


- NOTES
- ① 6 HATCHED PARTS: GROUND CIRCUIT.
  - ② 2 HATCHED PARTS: GROUND CIRCUIT.
  - ③ SMT LEAD-COPLANARITY: 0.1 MAX.
  - ④ THIS PRODUCT HAS NO POLARITY TO PATTERN FOR MOUNTING.
  - ⑤ MAKE SURE WIDTH OF PATTERN IS WITHIN THAT OF LAND .OR LEAD MAY TOUCH PATTERN. (THIS APPLIES TO HATCHED AREA.)
  - ⑥ TO BE EMBOSSED CARRIER TAPED AS SPECIFIED IN SHEET 2.
  - ⑦ THE DIMENSIONS IN PARENTHESES ARE FOR REFERENCE.

3	Phosphor bronze	Tin reflow plating 1μm MIN						
2	Phosphor bronze	Contact: Gold plating 0.1μm MIN	6	PET	Top cover tape			
		Lead : Gold plating 0.03μm MIN	5	PET	Embossed carrier tape			
		Under : Nickel plating 1μm MIN	4	Phosphor bronze	Surface: Tin plating 1μm MIN Under : Nickel plating 1μm MIN			
1	LCP	Beige, UL94V-0						
NO.	MATERIAL	FINISH . REMARKS	NO.	MATERIAL	FINISH . REMARKS			
UNITS mm		SCALE 5:1	COUNT 1	DESCRIPTION OF REVISIONS DIS-F-00005925		DESIGNED MT. ITANO	CHECKED HT. YAMAGUCHI	DATE 20200306
<b>HRS</b> HIROSE ELECTRIC CO., LTD.		APPROVED : HS. OKAWA	20081106	DRAWING NO. EDC-152632-91-21		PART NO. FX11A-60S/6-SV(91)		
		CHECKED : HT. YAMAGUCHI	20081106	CODE NO. CL573-0702-9-91		1/2		
		DESIGNED : SY. KAMIGA	20081106					
		DRAWN : HK. SUNADORI	20081105					

May.1.2023 Copyright 2023 HIROSE ELECTRIC CO., LTD. All Rights Reserved.  
 In case of consideration for using Automotive equipment / device which demand high reliability, kindly contact our sales window correspondents.

# DRAWING FOR PACKING(2:1)



THIS DRAWING FOR REFERENCE

- NOTES
- 1 1REEL : 1000 CONNECTORS.
  - 2 MINIMUM 10 COMPARTMENTS FROM BOTH REEL ENDS REMAIN EMPTY.
  - 3 THIS PRODUCT HAS NO POLARITY TO TAPE AND REEL PACKAGING.
  - 4 THE DIMENSIONS IN PARENTHESES ARE FOR REFERENCE.

<b>HRS</b>	DRAWING NO.	EDC-152632-91-21
	PART NO.	FX11A-60S/6-SV(91)
	CODE NO.	CL573-0702-9-91
		2/2