

Figure 1

**1. INTRODUCTION**

This instruction sheet covers setup, maintenance, and repair for Pneumatic Tool Stand Assembly 856402-1. The tool stand is designed to aid in operating 626 Pneumatic Tools 189722-1, 189723-1, or 189724-1.

**NOTE** *The tool stand will also accommodate "1210" and "2614" Pneumatic Tooling Assemblies.*

Reasons for reissue are provided in Section 6, REVISION SUMMARY.

**2. DESCRIPTION** (Figure 1)

The tool stand consists of a base plate with vise base and a shaft designed with a saddle and two hose clamps. The stand allows the operator to adjust the pneumatic tool to various positions, as shown in Figure 2, to assist in terminating wire to various terminals or splices.

**3. SETUP PROCEDURES** (Figure 2)

1. Position pneumatic tool on the saddle, between the hose clamps. See Figure 2.
2. Secure the tool by adjusting hose clamps with a flat-bladed, slot-style screwdriver. The hose

clamps may require repositioning to avoid interference with the operating mechanisms of the tool.

3. Loosen adjustment knob.

4. Rotate or tilt pneumatic tool to desired position for termination; then retighten knob to secure position of tool.

**NOTE** *The base plate contains two 7.1 mm [.28 in] diameter holes on 177.8 mm [7.0 in.] centerline for securing the tool stand to a work surface. Refer to Figure 2.*

**4. MAINTENANCE**

It is recommended that a maintenance program be performed periodically to ensure optimum tool performance. The pneumatic tool stand assembly should be cleaned and lubricated according to frequency of use.

1. Remove dust, moisture, and other contaminants with a clean, soft brush or lint-free cloth.

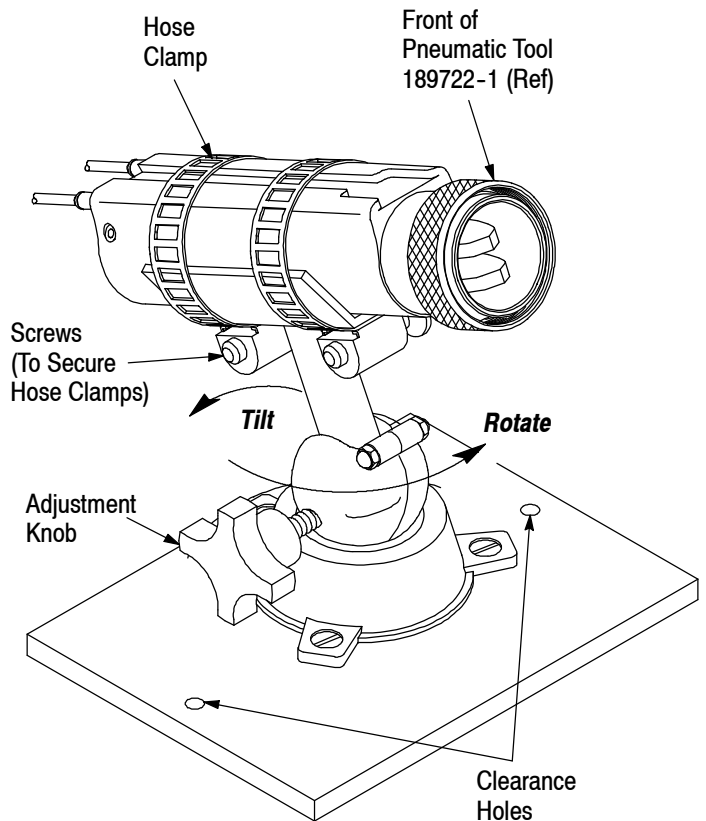


Figure 2

2. Visually inspect the tool stand for worn, chipped, or broken parts.
3. Make certain that all screws are secure.
4. Make certain that all pivot points are protected with a THIN coat of any good SAE 20 motor oil. Remove ANY excess oil from tool.
5. When tool stand is not in use, store it in a clean, dry area.

CUSTOMER SERVICE (38-35)  
 TYCO ELECTRONICS CORPORATION  
 PO BOX 3608  
 HARRISBURG PA 17105-3608

The tool stand can also be returned to Tyco Electronics for evaluation and repair. For customer repair service, contact a Tyco Electronics representative at 1-800-526-5136.

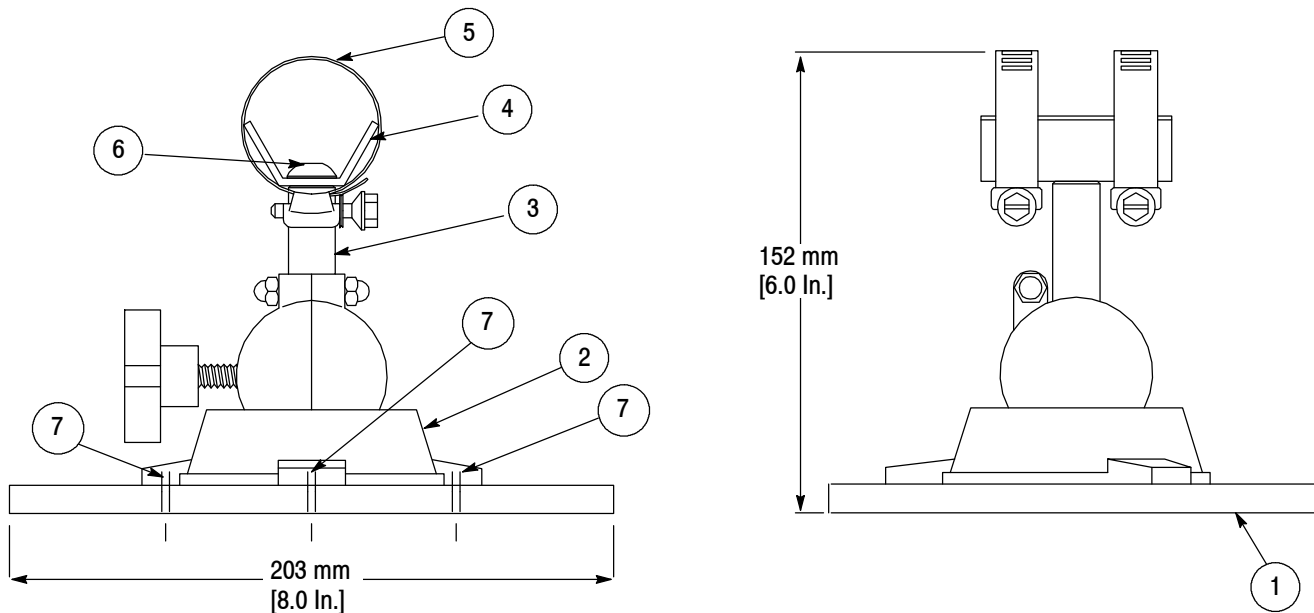
**5. REPLACEMENT AND REPAIR** (Figure 3)

It is recommended that replaceable parts be stocked to prevent loss of production time. Figure 3 lists the customer-replaceable parts which can be purchased by contacting:

**6. REVISION SUMMARY**

Since the previous release of this document, the following revisions were made per EC 0990-0653-01:

- Added "Original Instructions;"
- Applied TE logo.



**CUSTOMER-REPLACEABLE PARTS**

ITEM	PART NO.	DESCRIPTION	QTY PER ASSY
1	1490474-1	626 BASE PLATE	1
2	19928-1	BASE, Vise	1
3	856403-1	SHAFT	1
4	856404-1	SADDLE	1
5	20019-9	CLAMP, Hose	2
6	4-21002-4	SCREW, Button Head Socket Cap	1
7	3-21003-6	SCREW, Flat Head Socket Cap	3

Figure 3