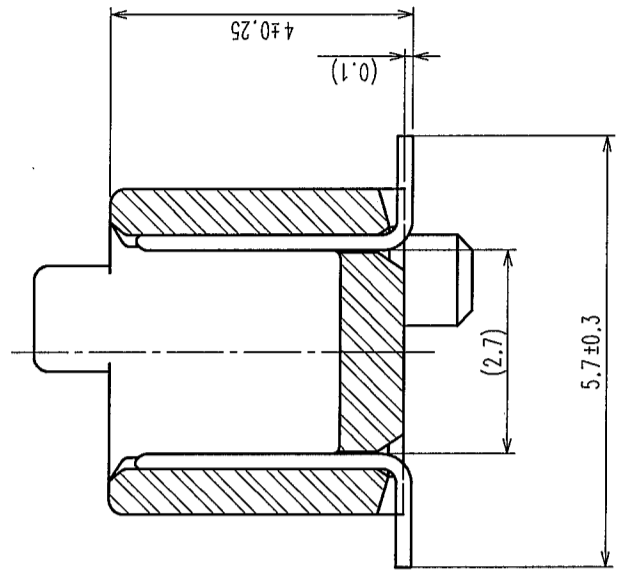
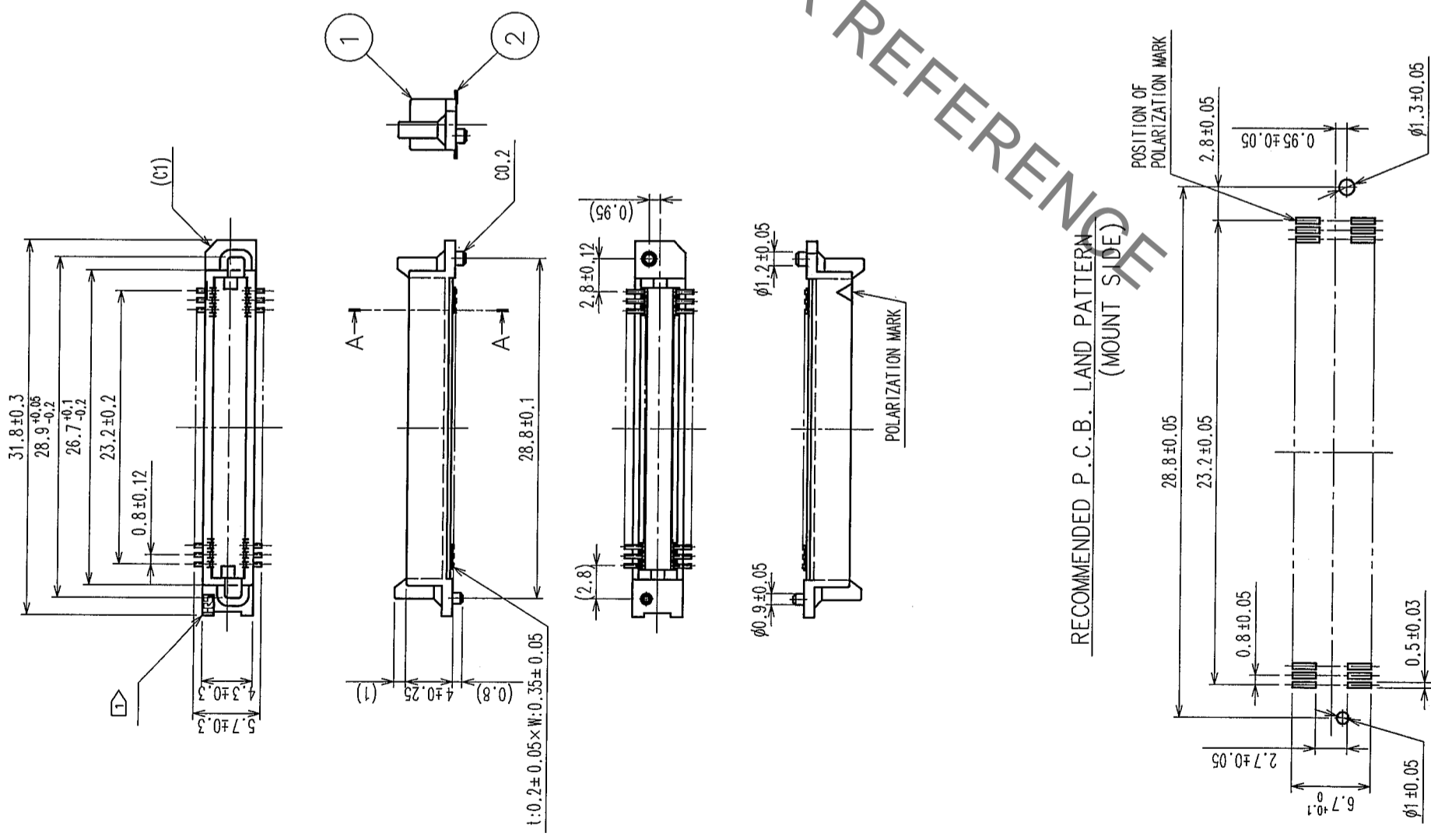


COUNT	DESCRIPTION OF REVISIONS	BY	CHKD	DATE	COUNT	DESCRIPTION OF REVISIONS	BY	CHKD	DATE
△					△				
△					△				
△					△				

AA(10:1)



HRS DRAWING FOR REFERENCE

- NOTE
- 1 HRS MARK SHALL BE OPTIONAL.
  - 2 LEAD CO-PLANARITY SHALL BE 0.1mm MAX.
  - 3 THE DIMENSIONS IN PARENTHESES ARE FOR REFERENCE.
  - 4 EMBOSSED CARRIER TAPE PACKAGING SHALL BE APPLIED FOR THIS PRODUCT.
  - 5 FOR MODIFICATION, ETC, PREVENTIVE HOLE FOR SINK MARK MAY BE ADDED ACCORDING TO CIRCUMSTANCES.

1	POLYPHENYLENE SULFIDE	LIGHT BROWN	UL94V-0	2	PHOSPHOR BRONZE					CONTACT AREA : GOLD 0.1μm min.	
NO.	MATERIAL	FINISH, REMARKS	NO.	MATERIAL	NO.	DESIGNED	CHECKED	APPROVED	RELEASED	LEAD AREA : GOLD PLATING FLASH	
CODE NO. (OLD)						Y. AOYAGI	K. Ogyama	H. Kawano		UNDER PLATING : NICKEL 1.5μm min.	
						05.09.22	05.09.27	05.09.27		FINISH, REMARKS	
DRAWING NO. EDC3-084968-22				PART NO. FX6-60P-0.8SV(92)							
SCALE 2:1				CODE NO. CL576-0005-4-92							
UNITS mm				HIROSE ELECTRIC CO., LTD							

TO	
----	--

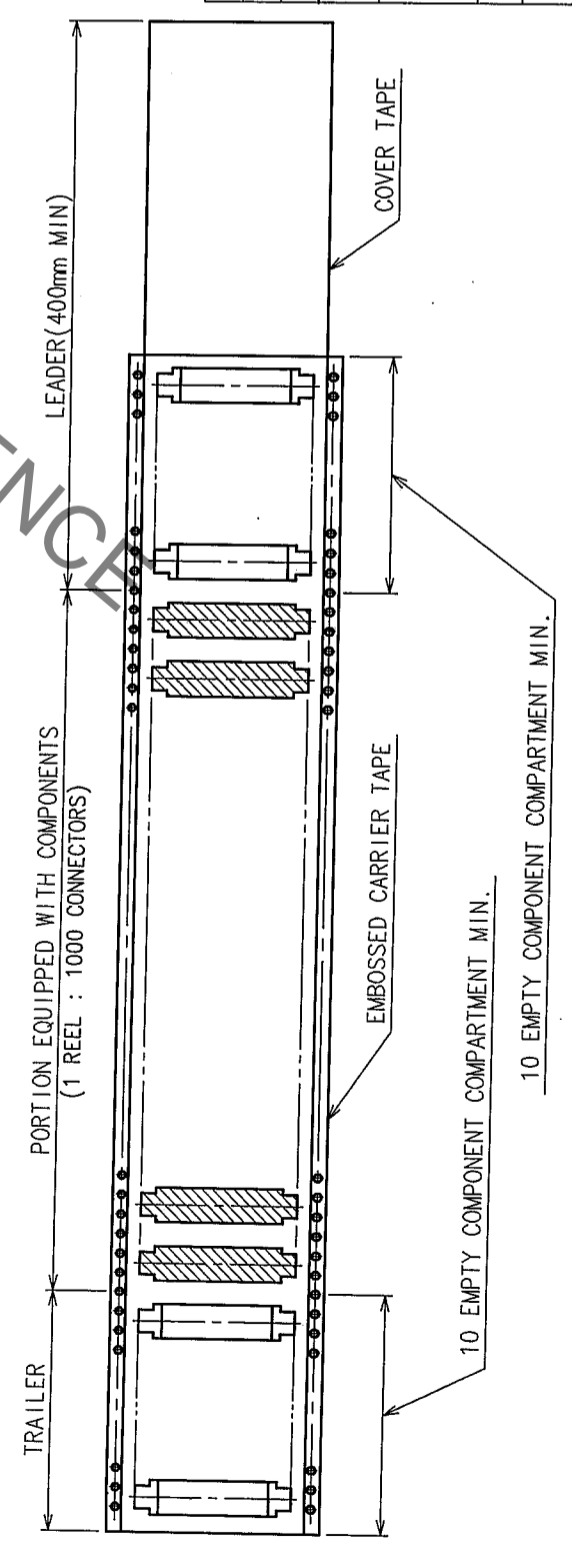
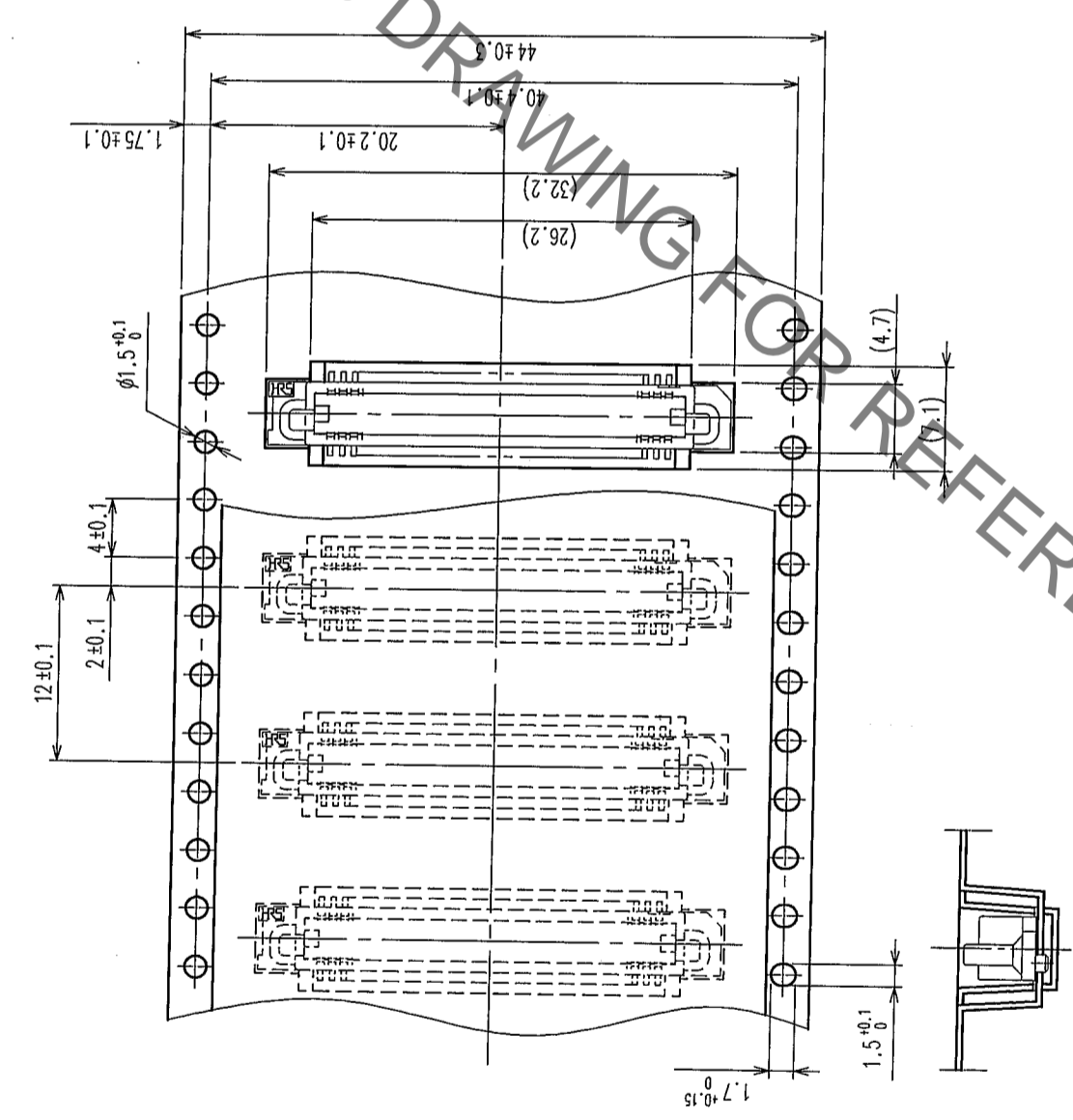
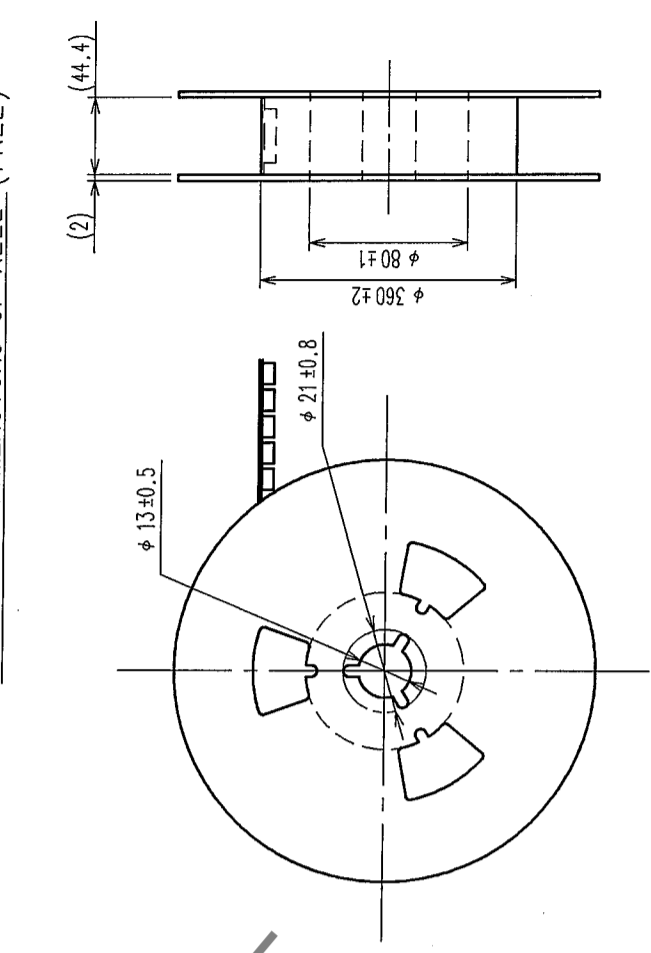
2 In case of consideration for using Automotive Equipment / device which demand high reliability, kindly contact our sales window correspondents.

3 May.1.2023 Copyright 2023 HIROSE ELECTRIC CO., LTD. All Rights Reserved.

COUNT	DESCRIPTION OF REVISIONS	BY	CHKD	DATE	COUNT	DESCRIPTION OF REVISIONS	BY	CHKD	DATE

DIRECTION OF UNREELING

STYLE AND DIMENSIONS OF REEL (FREE)



NOTE 1 THE DIMENSIONS IN PARENTHESES ARE FOR REFERENCE.  
 2 1 REEL : 1000 CONNECTORS

NO.	MATERIAL	FINISH, REMARKS	NO.	MATERIAL	FINISH, REMARKS	DESIGNED	CHECKED	APPROVED	RELEASED
2	POLYESTER	COVER TAPE							
1	POLYSTYRENE	EMBOSSED CARRIER TAPE	3		(CONNECTOR)				

CODE NO. (OLD)	DRAWN	DESIGNED	CHECKED	APPROVED	RELEASED
	Y. AOYAGI '05.09.22	J. Noda '05.09.22	X. Ogyama '05.09.21	H. Okawa '05.09.27	

DRAWING NO.	PART NO.
EDC3-084968-22	FX6-60P-0.8SV (92)

SCALE	UNITS	CODE NO.
2 : 1	mm	CL576-0005-4-92

HIROSE ELECTRIC CO., LTD  
 CL576-0005-4-92