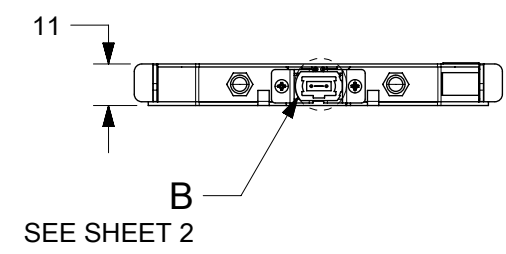
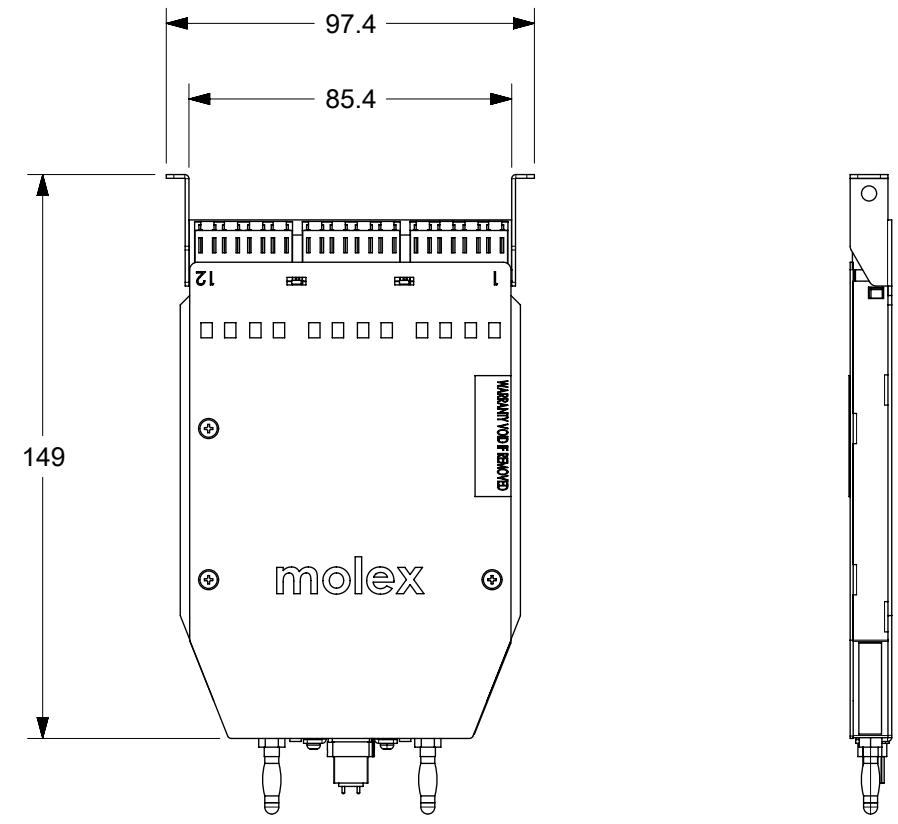
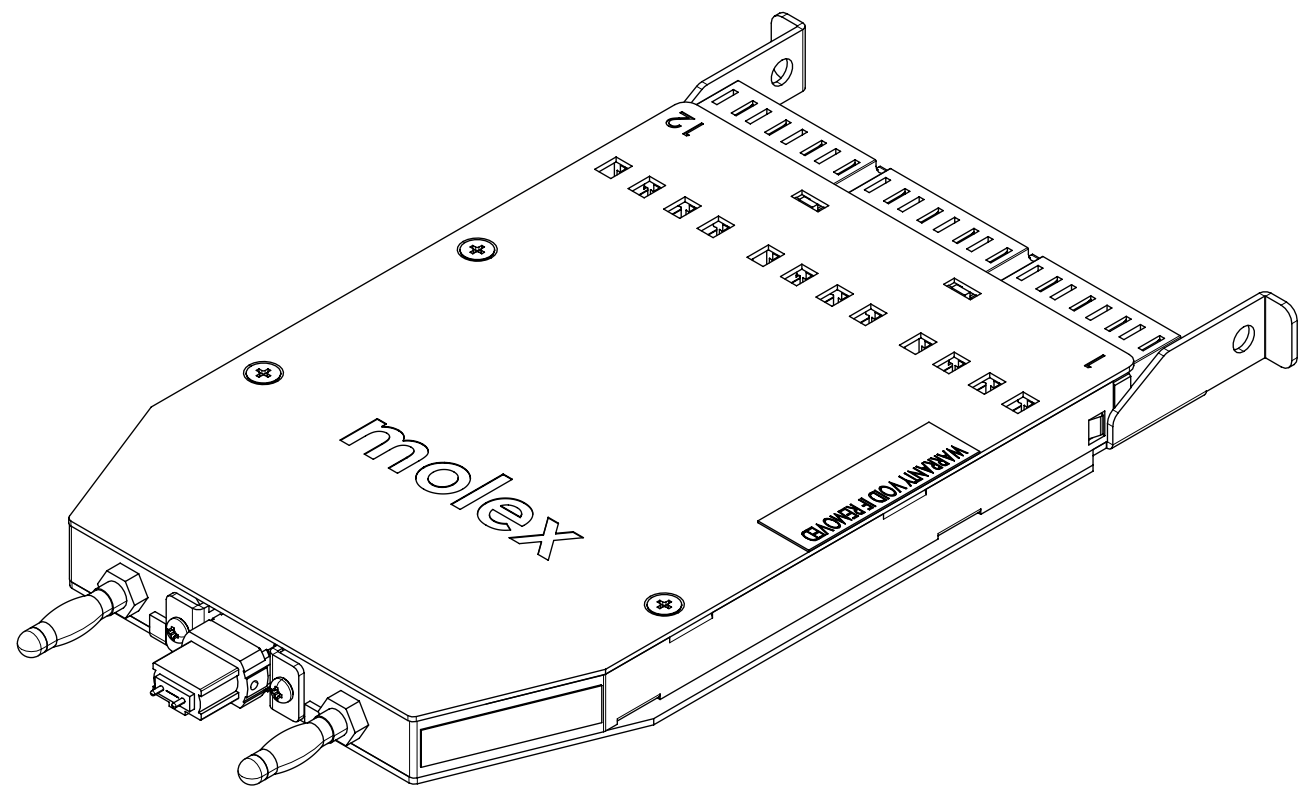


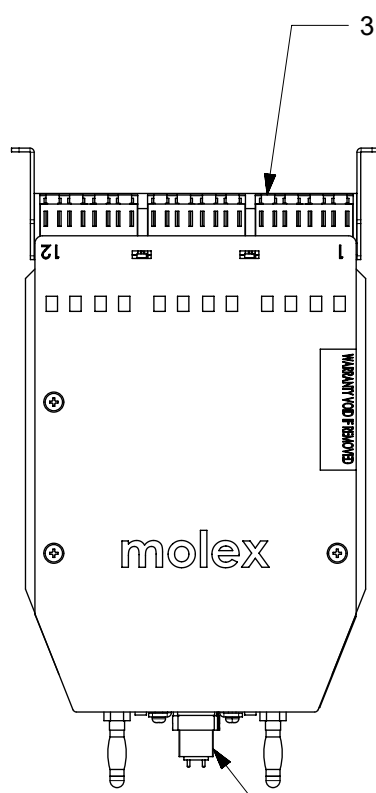
CST P/N	TYPE	ADAPTER COLOR
1064810000	SM	BLUE
1064810001	MM-OM3	AQUA
1064810002	MM-OM4	

SCALE 1:2

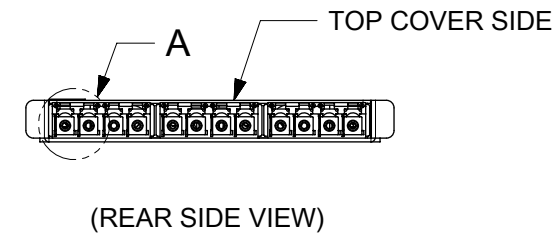


- NOTES:
- 1.MATERIAL: SPCC t=1.0mm.
 - 2.FINISH: LIQUID COATING.
 - 3.COLOR : BLACK.
 - 4.DIMENSION: 149x97.4X11mm.
 - 5.PRODUCT STRUCTURE:
 - 5-1 ADAPTOR: LC QUAD ADAPTOR, FLANGELESS.
 - 5-2 CABLE ASS'Y: 12C LC-MTP(M) FANOUT ASS'Y.
 - 6.WEIGHT: APPROX 221gm.
 - 7.PACKING METHOD SHOULD BE PER MOLEX STANDARD.
 - 8.ALL MATERIAL ARE COMPLIANT WITH THE LATEST RoHS DIRECTIVE REQUIREMENT.

FUNCTIONAL SYMBOLS	THIS DRAWING CONTAINS INFORMATION THAT IS PROPRIETARY TO MOLEX ELECTRONIC TECHNOLOGIES, LLC AND SHOULD NOT BE USED WITHOUT WRITTEN PERMISSION		CURRENT REV DESC:										
	DIMENSION UNITS	SCALE						EC NO: 639952 DRWN: IGUMIN 2020/06/18 CHK'D: TWANG74 2020/06/20 APPR: TWANG74 2020/06/20 INITIAL REVISION: DRWN: IGUMIN 2018/06/29 APPR: IGUMIN 2018/07/02					
	GENERAL TOLERANCES (UNLESS SPECIFIED)										SLIM CST G657A1 1X12 MTP(ME)-LC PRODUCT CUSTOMER DRAWING		
	ANGULAR TOL ± °												
DIVISIONAL SYMBOLS	4 PLACES ±	3 PLACES ±		DOCUMENT NUMBER									
	2 PLACES ±	2 PLACES ±		1064810000									
	1 PLACE ±	1 PLACE ±		DOC TYPE	DOC PART	REVISION							
	0 PLACES ±	0 PLACES ±		PSD	001	B							
DRAFT WHERE APPLICABLE MUST REMAIN WITHIN DIMENSIONS		THIRD ANGLE PROJECTION	DRAWING	SERIES	MATERIAL NUMBER	CUSTOMER	SHEET NUMBER						
			B-SIZE	106481	SEE TABLE		1 OF 2						

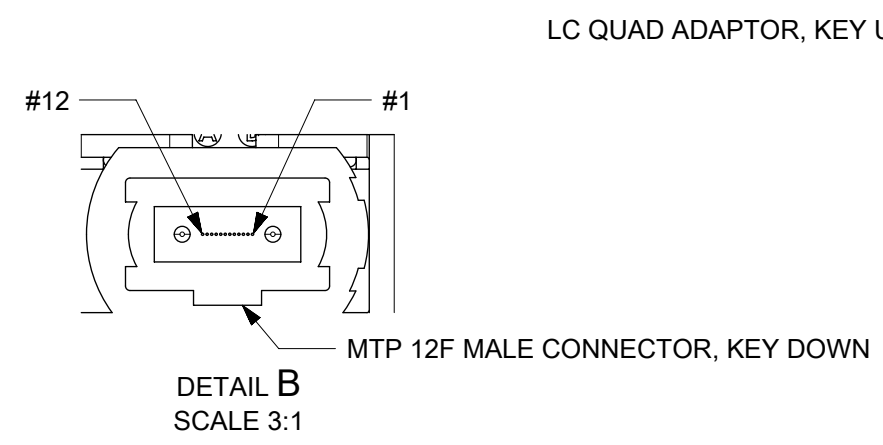


3 x LC QUAD ADAPTOR FLANGELESS

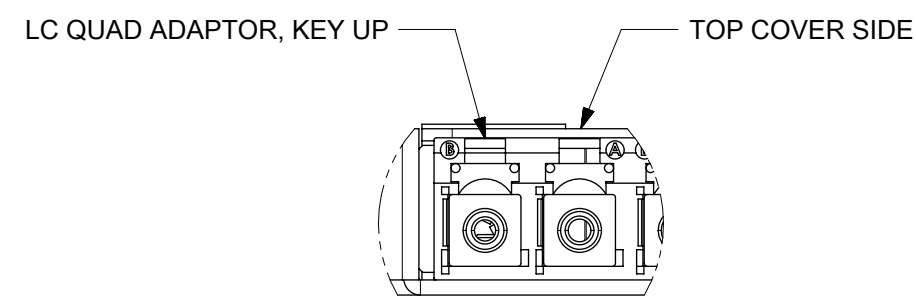


(REAR SIDE VIEW)

1 x 12C LC-MTP(M) FANOUT ASS'Y.
(THE DUST CAPS ARE INSTALLED BUT NOT SHOWN)



DETAIL B
SCALE 3:1



DETAIL A
SCALE 2:1

Item	Parameters	Note	Min.	Typ.	Max.	Unit
1	Operating Wavelength ¹	Single-Mode	1310 / 1550		nm	
		Multimode	850			
2	Insertion Loss ^{1,2}	Single-Mode			0.65	dB
		Multi-Mode			0.65	
3	Return Loss ^{1,2} (MPO side)	Single-Mode	55			dB
		Multi-Mode	N/A			
4	Return Loss ^{1,2} (Fan-out side)	Single-Mode	PC	55		dB
			APC	60		
		Multi-Mode	PC	N/A		
5	Operating Temperature	-	-20		70	C

Note:
 1. Single-mode loss test to be performed at 1310nm and 1550nm.
 Multimode loss test to be performed at 850nm.
 IL and RL must be tested at room temperature.
 (Multimode RL testing is not required.)
 2. Consistent optical performance for multimode (flat protruded polish) and single-mode (Angled protruded polish).

CHANNEL MAPPING TABLE

LC NO.	1	2	3	4	5	6	7	8	9	10	11	12
FIBER COLOR	BL	OR	GR	BR	SL	WH	RD	BK	YL	VI	RS	AQ
MTP NO.	1	2	3	4	5	6	7	8	9	10	11	12

FUNCTIONAL SYMBOLS	THIS DRAWING CONTAINS INFORMATION THAT IS PROPRIETARY TO MOLEX ELECTRONIC TECHNOLOGIES, LLC AND SHOULD NOT BE USED WITHOUT WRITTEN PERMISSION												
	DIMENSION UNITS	SCALE	CURRENT REV DESC:										
	$\nabla/A = 0$	mm	1:2	<p style="text-align: center;">molex</p> <p style="text-align: center;">SLIM CST G657A1 1X12 MTP(ME)-LC</p> <p style="text-align: center;">PRODUCT CUSTOMER DRAWING</p>									
	$\nabla/E = 0$	GENERAL TOLERANCES (UNLESS SPECIFIED)											
$\nabla/F = 0$	ANGULAR TOL ± °												
DIVISIONAL SYMBOLS	4 PLACES	±	EC NO: 639952										
	3 PLACES	±	DRWN: IGUMIN 2020/06/18										
	2 PLACES	±	CHK'D: TWANG74 2020/06/20										
	1 PLACE	±	APPR: TWANG74 2020/06/20										
INITIAL REVISION:			DOCUMENT NUMBER										
0 PLACES	±		DRWN: IGUMIN 2018/06/29										
APPR: IGUMIN 2018/07/02			1064810000										
DRAFT WHERE APPLICABLE MUST REMAIN WITHIN DIMENSIONS			THIRD ANGLE PROJECTION	DRAWING	SERIES	MATERIAL NUMBER			CUSTOMER			SHEET NUMBER	
				B-SIZE	106481	SEE TABLE						2 OF 2	