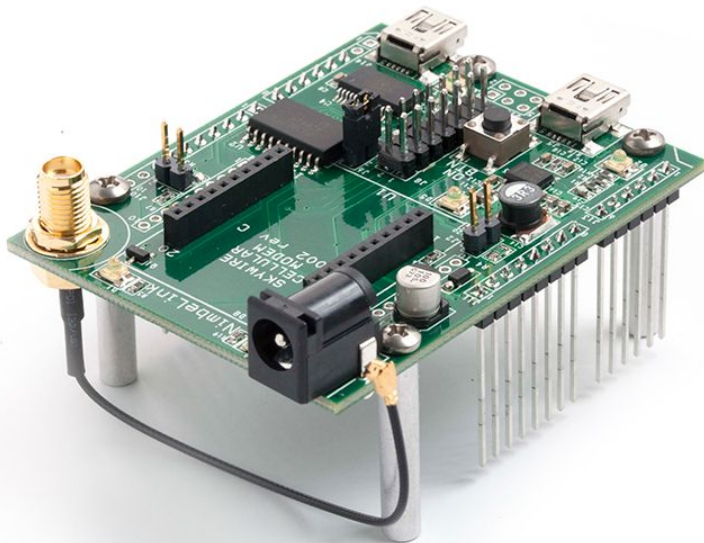


# Skywire<sup>®</sup> Development Kit

## User Manual

NimbeLink Corp

Updated: August 2019



© NimbeLink Corp. 2019. All rights reserved.

NimbeLink Corp. provides this documentation in support of its products for the internal use of its current and prospective customers. The publication of this document does not create any other right or license in any party to use any content contained in or referred to in this document and any modification or redistribution of this document is not permitted.

While efforts are made to ensure accuracy, typographical and other errors may exist in this document. NimbeLink reserves the right to modify or discontinue its products and to modify this and any other product documentation at any time.

All NimbeLink products are sold subject to its published Terms and Conditions, subject to any separate terms agreed with its customers. No warranty of any type is extended by publication of this documentation, including, but not limited to, implied warranties of merchantability, fitness for a particular purpose and non-infringement.

NimbeLink is a registered trademark, and Skywire is a registered trademark, of NimbeLink Corp. All trademarks, service marks and similar designations referenced in this document are the property of their respective owners.

# Table of Contents

<b>Introduction</b>	<b>4</b>
Orderable Part Numbers	4
Product Overview	5
Block Diagram	5
<b>Connect to Kit using a PC</b>	<b>6</b>
Unpack Kit Contents	6
Skywire Placement	7
Attach Antenna to Baseboard	8
Short Jumper J6	8
Attach Jumper Wires (NL-SW-LTE-WM14 only)	9
Plug in 12V Power Supply to connector J15	9
Plug USB cable into connector J14 and PC	9
Power On the Modem	10
Open Terminal Emulator	11
Install FTDI driver (Windows)	11
Test Serial Communication	12
Test Signal Strength	13
For Non-LTE Modems	13
Note: Bit Error Rate only available during active data connections.	13
For LTE Modems	13
For the following product models (NL-SW-LTE-GELS3, NL-SW-LTE-TC4NAG, NL-SW-LTE-TC4EU):	15
Activate Modem (one-time step)	16
SIM Card Detection (GSM Only)	17
Send Modem Activation String (1xRTT and EVDO only)	17
Setup PDP Context	18
NL-SW-GPRS, -HSPA, -TNAG, -TEUG, -TC4EU, -TC4NAG (AT&T Firmware)	
APN Configuration:	18
NL-SW-LTE-TC4NAG (Verizon Firmware) APN Configuration	19
NL-SW-LTE-TSVG APN Configuration	20
NL-SW-LTE-GELS3 APN Configuration	21
NL-SW-LTE-WM14 APN Configuration:	22
NL-SW-LTE-QBG96 APN Configuration:	22

Check Network Registration	23
2G/3G Network Registration	23
LTE Modem Network Registration	24
NL-SW-LTE-GELS3	24
NL-SW-LTE-WM14	25
NL-SW-LTE-QBG96	25
<b>APN Setup</b>	<b>26</b>
Overview	26
Common APNs and Their Respective Carriers	26
<b>Common Next Steps</b>	<b>26</b>

# 1. Introduction

## 1.1. Orderable Part Numbers

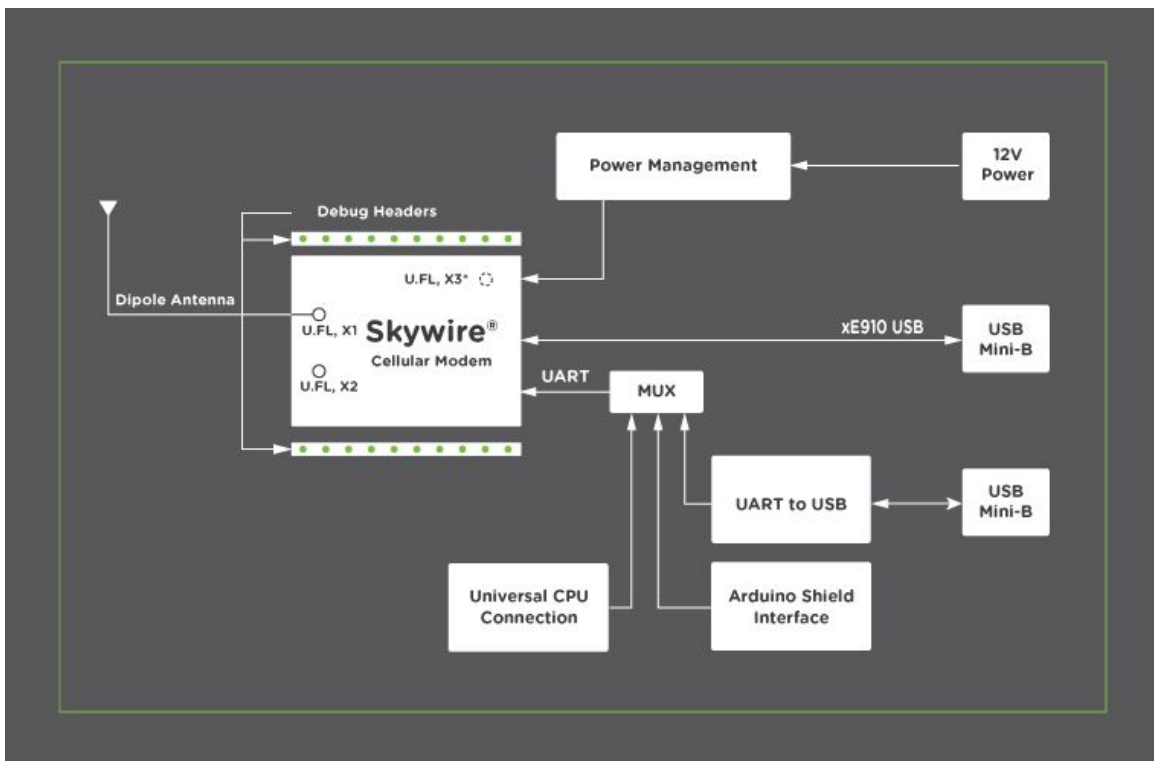
Orderable Device	Description	Carrier	Network Type
NL-SWDK	Skywire Development Kit	Any	Any
NL-SW-1xRTT-A	2G 1xRTT	Aeris	CDMA
NL-SW-1xRTT-S	2G 1xRTT	Sprint	CDMA
NL-SW-1xRTT-V	2G 1xRTT	Verizon	CDMA
NL-SW-GPRS	2G GPRS	Any GSM (AT&T, T-Mobile, etc.)	GSM
NL-SW-EVDO-A	3G EVDO, GPS, GLONASS	Aeris	CDMA
NL-SW-EVDO-V	3G EVDO, GPS, GLONASS	Verizon	CDMA
NL-SW-HSPA	3G HSPA+, GNSS, GLOBAL BANDS	Any HSPA/GSM Carrier (AT&T, T-Mobile, etc.)	HSPA/GSM
NL-SW-HSPA-B	3G HSPA+, GNSS, GLOBAL BANDS	Any HSPA/GSM Carrier (AT&T, T-Mobile, etc.)	HSPA/GSM
NL-SW-LTE-TSVG-B	LTE without Fallback, GNSS	Verizon	LTE
NL-SW-LTE-TNAG-B	LTE with HSPA+ Fallback, GNSS	Any GSM Carrier (AT&T, T-Mobile, etc.)	LTE/GSM
NL-SW-LTE-TEUG	LTE with HSPA+ Fallback, GNSS, EU	Any EU LTE/GSM Carrier	LTE/GSM
NL-SW-LTE-GELS3-C	LTE CAT1, Verizon	Verizon	LTE
NL-SW-LTE-GELS3-D	LTE CAT1, Verizon	Verizon	LTE
NL-SW-LTE-WM14-B	LTE CAT1, GSM	Any LTE Carrier (AT&T, T-Mobile, etc.)	LTE
NL-SW-LTE-QBG96	LTE CAT M1, GNSS	AT&T, Orange, Telstra, Telus, T-Mobile, Verizon, Vodafone, and more	LTE
NL-SW-LTE-TC4EU	LTE Cat4, EU	EU Carriers	LTE
NL-SW-LTE-TC4NAG	LTE Cat 4	AT&T, Verizon	LTE

## 1.2. Product Overview

The Skywire® Development Kit includes one baseboard, antenna, power supply, SIM cards, and debug cables. Skywire modems must be purchased separately. The kit enables you to develop your application directly on the Skywire modem with three different ways to connect:

- Connect your PC to the Skywire modem UART port via onboard USB-to-UART converter and send AT commands directly to the modem through PC terminal applications. You can also connect over USB for access to multiple COM ports.
- The kit is an Arduino shield, so you can plug the kit directly onto an Arduino microcontroller. Please see Section 4: Common Next Steps for links to example documentation.
- To connect the kit to a different processor or development kit, a 14-pin header breaks out the necessary signals for easy connection to any device. The modem supports I/O levels from 1.65-5.5V, simplifying connection to other systems.

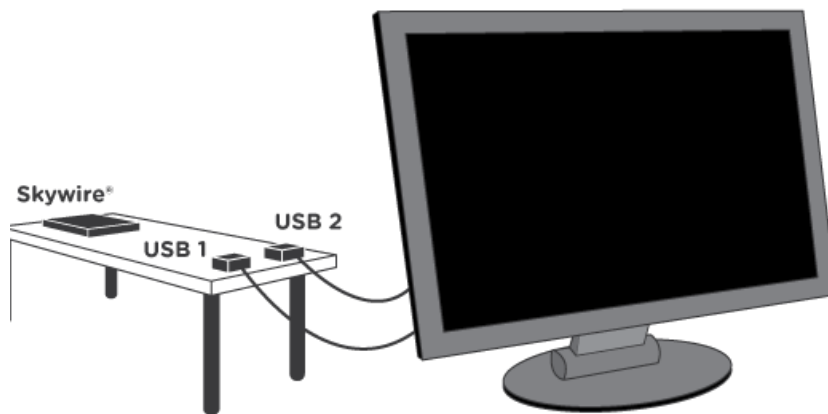
## 1.3. Block Diagram



\*X2 and X3 U.F.L. connectors not present on all modems.

## 2. Connect to Kit using a PC

This section covers how to connect your development kit to a PC and provision the modem with your cellular plan. It also covers how to communicate over the serial port to the Skywire modem which only requires the use of USB port and connector marked J14 or USB2 in the diagram below. USB1 (connector J5) is used for high speed data connections and firmware updates to the modem and is not used in this section.



### 2.1. Unpack Kit Contents



## 2.2. Skywire Placement

To mount your Skywire Cellular modem follow these steps:

1. Gather the following:
  - a. Skywire Development Kit board
  - b. Skywire Cellular Modem
  - c. U.FL extractor tool (Always use a U.FL extractor tool when placing or removing U.FL cables on the Skywire modem to avoid damaging the U.FL connectors).
2. Line up your Skywire's cellular U.FL connector(s) on the side of the board closest to the antenna connector. Depending on the type of Skywire Modem you have there may be one, two, or three U.FL connections.
3. To avoid damage to the U.FL connector and maximize connector life, a U.FL removal tool should be used when attaching/removing the U.FL connector. Always insert and remove the U.FL connector with a force perpendicular to the board. If your Skywire is using GPS, attach the GPS antenna to the bottom of the Skywire connector X3. If you are not using your Skywire's GPS or if your Skywire does not support GPS, continue to step 4.
4. Attach the U.FL cable to the top U.FL connector X1 on the Skywire. If you are using a Skywire with the cellular diversity antenna option attach a second antenna to connector X2.
5. Carefully seat your Skywire into the board's Skywire socket (U1). Take care to ensure that the pins are correctly aligned. Failure to properly align the pins may damage your Skywire.



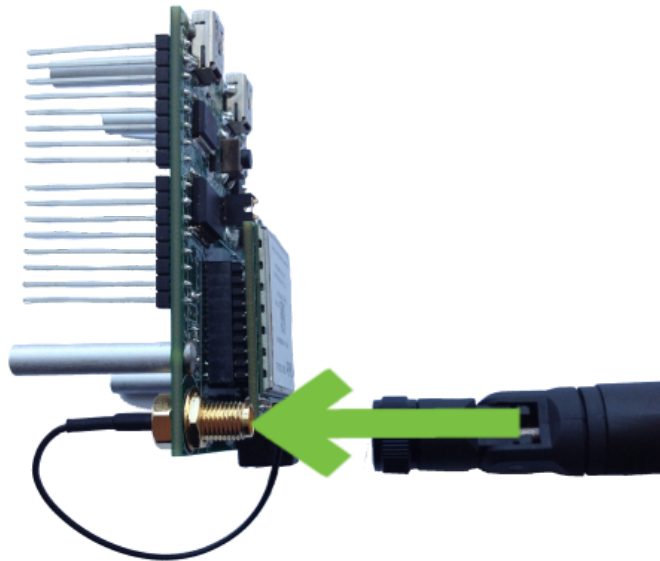
A properly mounted Skywire™ Modem with U.FL cable attached to top U.FL connector X1.



A common issue is accidentally inserting the modem with pins misaligned by one row. Check pin alignment **BEFORE** applying power to prevent modem damage.

### 2.3. Attach Antenna to Baseboard

Antenna screws onto SMA connector with a clockwise rotation



### 2.4. Short Jumper J6

Ensure header J6 is shorted with 2 pin Jumper. This enables USB to UART communication between the PC and the modem.





## 2.5. Attach Jumper Wires (NL-SW-LTE-WM14 only)

To power on the NL-SW-LTE-WM14 modem, you must tie the SW\_ON\_OFF pin to GND. Place a jumper wire to connect header J8 Pins 2 and 8 together.

Please see page 3 of the Skywire Development Kit schematic for pin locations:

[http://nimbelink.com/Documentation/Development\\_Kits/NL-SWDK/20002\\_NL-SWDK\\_Schematic.pdf](http://nimbelink.com/Documentation/Development_Kits/NL-SWDK/20002_NL-SWDK_Schematic.pdf)

## 2.6. Plug in 12V Power Supply to connector J15



## 2.7. Plug USB cable into connector J14 and PC



## 2.8. Power On the Modem

Press and hold button S1 to power on the modem. Please see the table below for the length of time needed to hold down button S1 for your particular modem.



Device	Hold Time ( $t_h$ ) for Button S1 To Power On the Modem	Wait Time ( $t_w$ ) Before Software Communication*	LED D1 Activity
NL-SW-1xRTT-A	1 second < $t_h$ < 2 seconds	$t_w$ > 10 seconds	Blink once
NL-SW-1xRTT-S	1 second < $t_h$ < 2 seconds	$t_w$ > 10 seconds	Blink once
NL-SW-1xRTT-V	1 second < $t_h$ < 2 seconds	$t_w$ > 10 seconds	Blink once
NL-SW-GPRS	$t_h$ > 5 seconds	$t_w$ > 10 second	Blink once
NL-SW-EVDO-A	1 second < $t_h$ < 2 seconds	$t_w$ > 10 seconds	Blink twice
NL-SW-EVDO-V	1 second < $t_h$ < 2 seconds	$t_w$ > 10 seconds	Blink twice
NL-SW-HSPA	$t_h$ > 5 seconds	$t_w$ > 2 seconds	Solid on
NL-SW-HSPA-B	$t_h$ > 5 seconds	$t_w$ > 2 seconds	Solid on
NL-SW-LTE-TSVG	1 second < $t_h$ < 2 seconds	$t_w$ > 15 seconds	No activity
NL-SW-LTE-TNAG	1 second < $t_h$ < 2 seconds	$t_w$ > 15 seconds	No activity
NL-SW-LTE-TEUG	1 second < $t_h$ < 2 seconds	$t_w$ > 15 seconds	No activity
NL-SW-LTE-GELS3	1 second < $t_h$ < 2 seconds	$t_w$ > 30 seconds	Solid on
NL-SW-LTE-WM14	n/a (Done in Section 2.5)	$t_w$ > 30 seconds	Solid on
NL-SW-LTE-QBG96	$t_h$ > 1 second	$t_w$ > 4 seconds	Solid on
NL-SW-LTE-TC4EU	$t_h$ > 5 second	$t_w$ > 5 seconds	Solid on
NL-SW-LTE-TC4NAG	$t_h$ > 1 second	$t_w$ > 5 seconds	Solid on

Note: Depending on your modem and depending on the setup, the modem may be available for use before  $t_w$ .

## 2.9. Open Terminal Emulator

Open Tera Term, Putty, or similar terminal emulator to communicate with the modem.

If you do not have a terminal emulator program, you can download Tera Term here: <https://tssh2.osdn.jp/index.html.en>

Your PC may have multiple COM ports. Select appropriate USB COM port to communicate with the development kit.



**Note:** Your device may not show up on the port list due to a missing driver. Drivers can be downloaded from <https://www.ftdichip.com/Drivers/VCP.htm>. Refer to 2.9.1 for instructions on installing a driver.

You may need to adjust the Serial Settings. These can be accessed in Tera Term by going *Setup>Serial Port*. They can also be updated in Putty by navigating *Connection>Serial*. Serial Settings should be as follows (these are the default settings):

Baud Rate:	115,200 bps
Data:	8bit
Parity:	none
Stop:	1bit
Flow Control:	none

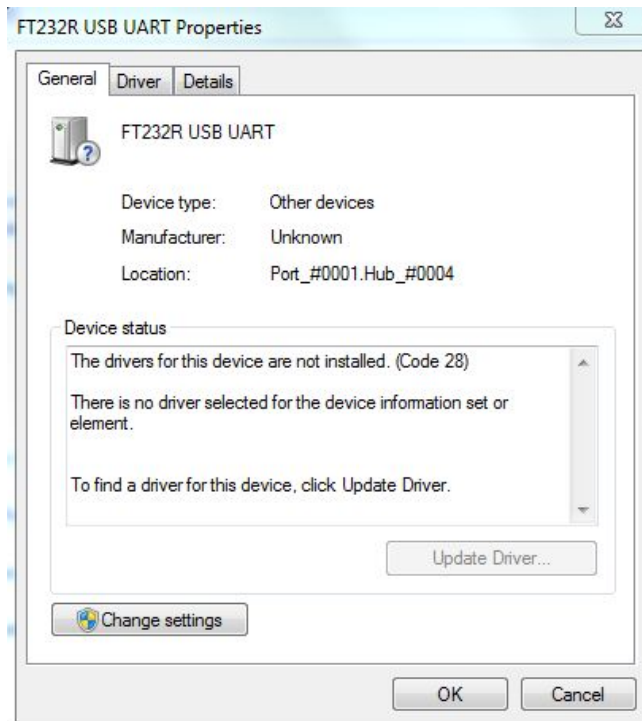
### 2.9.1. Install FTDI driver (Windows)

1. Download and unzip the required driver from <https://www.ftdichip.com/Drivers/VCP.htm>
2. Navigate to the device manager. *Start>Control Panel>Hardware and Sound>Device Manager*
3. *In the Device list, scroll down to the Other devices section and locate your device.*



4. *Right click on the device and choose Properties.*
5. *From the properties menu click Update Driver.*

- a. **Note:** If you don't have admin privileges on your computer you will need to first click *Change settings* and login as an admin



6. Select the *Search my computer* option and select the driver folder you downloaded in step 1.

## 2.10. Test Serial Communication

In the terminal program, type the command:

**AT**

followed by the Enter key, and the terminal should respond with:

**OK**

**Note:** For the NL-SW-LTE-WM14, you will not see the characters you have typed until hitting the enter key.

You may need to turn echo on in order to see what you are typing. If you type the command:

**AT**

and don't see it being typed on your screen, hit the Enter key, and type the following command:

**ATE1**

followed by the Enter key, and the terminal program should respond with:

**OK**

Type the following command:

**AT**

to verify you can see the command you are typing. After pressing the Enter key, the terminal program will respond with:

**OK**

Note: The modem will output "ERROR" when a command is entered incorrectly. To enable verbose error mode to see what error is occurring issue AT+CME=2 to the modem.

## 2.11. Test Signal Strength

### 2.11.1. For Non-LTE Modems

In the terminal program, type the command:

**AT+CSQ**

followed by the Enter key, and the terminal should respond with:

**+CSQ: xx,yy**

where xx is the signal strength of the antenna, and yy is the bit error rate in percent. Typical values are as follows:

Values of xx	Relative Signal Strength
0 – 9	Poor: <= -95 dBm
10 – 14	OK: -93 dBm to -85 dBm
15 – 19	Good: -83 dBm to -75 dBm
20 – 30	Excellent: -73 dBm to -53 dBm
31	Excellent: -51 dBm or greater
99	Not known or not detectable

Values of yy	Bit Error Rate (in percent)
0	Less than 0.2%
1	0.2% to 0.4%
2	0.4% to 0.8%
3	0.8% to 1.6%
4	1.6% to 3.2%
5	3.2% to 6.4%
6	6.4% to 12.8%
7	More than 12.8%
99	Not known or not detectable

Note: Bit Error Rate only available during active data connections.

### 2.11.2. For LTE Modems

To check the signal strength on an LTE modem the user should refer to the RSRP (Reference Signal Received Power) & RSRQ (Reference Signal Received Quality) values reported by the modem. These signal measurements will more accurately reflect the quality of the cellular link for LTE modems by not only

measuring **<rsrq>** is the Reference Signal Received Quality (RSRQ) and **<rsrp>** is the Reference Signal Received Power (RSRP). Typical values are as follows:

Values of <rsrq>	RSRQ (Reference Signal Received Quality)
0	RSRQ < -19.5 dB
1	-19.5 dB ≤ RSRQ < -19 dB
2	-19 dB ≤ RSRQ < -18.5 dB
...	...
32	-4 dB ≤ RSRQ < -3.5 dB
33	-3.5 dB ≤ RSRQ < -3 dB
34	-3 dB ≤ RSRQ
255	Not known or detectable

Values of <rsrp>	RSRP (Reference Signal Received Power)
0	RSRP < -140 dBm
1	-140 dBm ≤ RSRP < -139 dBm
2	-139 dBm ≤ RSRP < -138 dBm
...	...
95	-46 dBm ≤ RSRP < -45 dBm
96	-45 dBm ≤ RSRP < -44
97	-44 dBm ≤ RSRP
255	Not known or not detectable

Here are estimated signal qualities based on the above values:

Values of <rsrq>	RSRQ	Values of <rsrp>	RSRP	Quality
0	RSRQ < -19.5 dB	0 - 40	RSRP < -100 dBm	Marginal
1 - 9	-19.5 dB ≤ RSRQ < -15 dB	41 - 50	-100 dBm ≤ RSRP < -90 dBm	Fair
10 - 19	-15 dB ≤ RSRQ < -10 dB	51 - 59	-90 dBm ≤ RSRP < -80 dBm	Good
20 - 34	≥ -10 dB	60 - 97	≥ -80 dBm	Excellent

**For the following product models (NL-SW-LTE-GELS3, NL-SW-LTE-TC4NAG, NL-SW-LTE-TC4EU):**

In the terminal program, type the command:

**AT+CESQ**

followed by the Enter key, and the terminal should respond with:

**+CESQ: <rxlev>,<ber>,<rscp>,<ecno>,<rsrq>,<rsrp>**

Where <rsrq>,<rsrp> are the RSRQ/RSRP values as defined by the modems AT command manual.

**For the following product models (NL-SW-LTE-TSVG, NL-SW-LTE-TNAG, NL-SW-LTE-TEUG):**

In the terminal program, type the command:

**AT#MONI**

followed by the Enter key, and the terminal should respond with:

**#MONI: <netname> RSRP:<rsrp> RSRQ:<rsrq> TAC:<tac> Id:<id>  
EARFCN:<earfcn> PWR:<dBm> DRX:<drx>**

Where <rsrq>,<rsrp> are the RSRQ/RSRP values as defined by the modems AT command manual.

**For the following product models (NL-SW-LTE-WM14):**

In the terminal program, type the command:

**AT%MEAS="97"**

followed by the Enter key, and the terminal should respond with:

**%MEAS: EARFCN=<earfsn>1000, CellID=<cid>, RSRP=<rsrp>,  
RSRQ=<rsrq>**

Where <rsrq>,<rsrp> are the RSRQ/RSRP values as defined by the modems AT command manual.

**For the following product model (NL-SW-LTE-QBG96):**

In the terminal program, type the command:

**AT+QCSQ**

followed by the Enter key, and the terminal should respond with:

**+QCSQ: <sysmode>, <rssI>, <rsrp>, <sinr>, <rsrq>**

Where <sysmode> is the current cellular service mode, <rssI> is the RSSI value, <rsrp> is the RSRP value, <sinr> is the signal to interference plus noise ratio, and <rsrq> is the RSRQ value. **Note:** the values for RSRP and RSRQ are returned as raw values (dB or dBm), as opposed to encoded as per the tables on the next page.

For further information regarding the SINR ratio and the <sysmode> parameter, please refer to the QBG96 AT command manual.

## 2.12. Activate Modem (one-time step)



If you are using a new Skywire™ cellular modem, it does not have an active cellular plan. To activate Verizon, T-Mobile, or AT&T data plans, visit <http://go.nimbelink.com> and create an account and activate your Skywire there.

All Skywire modems have a label indicating the IMEI of the modem. An example of the IMEI location is the photo below.





## 2.13. SIM Card Detection (GSM Only)

Applies to:

- NL-SW-GPRS
- NL-SW-HSPA
- NL-SW-HSPA-B

If you are using a Skywire GSM modem that uses a SIM card, you need to configure the Skywire modem to detect it.

In the terminal program, type the command:

```
AT#SIMDET=1
```

followed by the enter key. The terminal program will respond with:

```
#SIMDET: 1,1
```

This will enable the Skywire SIM detection.

## 2.14. Send Modem Activation String (1xRTT and EVDO only)

Applies to:

- NL-SW-1xRTT-V
- NL-SW-EVDO-V

In the terminal program, type the command:

```
ATD*22899;
```

followed by the Enter key, and the modem will begin the activation process which can take **several minutes**. The terminal should respond with:

```
OK
```

```
#OTASP: 0
```

```
#OTASP: 1
```

```
#OTASP: 2
```

```
NO CARRIER
```

For all other responses, review network status responses online.

## 2.15. Setup PDP Context

Before you can successfully communicate with the network using a GSM or LTE Skywire, you need to define the PDP context.

Non-Verizon LTE devices must have their APN's configured in order to connect to the network. Devices using the Verizon LTE network will automatically have the APN pushed to them after registering on the network. In the event the APN push does not occur the APN can be manually set.

Applies to:

- NL-SW-GPRS
- NL-SW-HSPA
- NL-SW-HSPA-B
- NL-SW-LTE-TSVG
- NL-SW-LTE-TNAG
- NL-SW-LTE-TEUG
- NL-SW-LTE-GELS3
- NL-SW-LTE-WM14
- NL-SW-LTE-QBG96
- NL-SW-LTE-TC4EU
- NL-SW-LTE-TC4NAG (Non-Verizon Firmware)

**NOTE: The NL-SW-LTE-TC4NAG has dual firmware images for both Verizon and Non-Verizon networks. Please follow the steps outlined in the [modems datasheet](#) to select the appropriate firmware version for the desired carrier.**

### 2.15.1. NL-SW-GPRS, -HSPA, -TNAG, -TEUG, -TC4EU, -TC4NAG (AT&T Firmware) APN Configuration:

In the terminal program, type the command:

```
AT+CGDCONT = 1,"IP","APN"
```

where **APN** is the individual APN for your network, followed by the Enter key, and the terminal program should respond with:

**OK**

**Note: Consult Section 3: APN Setup for help with your APN.**

To verify that the APN was set correctly, in the terminal program type the command:

```
AT+CGDCONT?
```

followed by the Enter key, and the terminal should respond with:

```
+CGDCONT: 1,"IP","APN"
```

as well as the other PDP context information on the device. To enable this setting, in the terminal program type the command:

**AT#SGACT=1,1**

followed by the enter key, and the terminal should respond with:

**#SGACT: www.xxx.yyy.zzz**

where **www.xxx.yyy.zzz** is the Skywire modem's IP address.

If the **AT#SGACT** command does not work, the terminal will respond with

**#ERROR or +CMEE ERROR: activation failed**

and further setup may be necessary. Check the signal strength with **AT+CSQ** to verify the Skywire is getting an acceptable signal. Otherwise, consult the Telit AT Command Reference Guide for your particular modem.

### 2.15.2. NL-SW-LTE-TC4NAG (Verizon Firmware) APN Configuration

The Verizon network will automatically push the APN to the NL-SW-LTE-TC4NAG modem the first time it registers on the network.

To manually set the APN follow these steps:

Type the command:

**AT+CGDCONT?**

Read the response from the terminal and see what 3rd PDP context changed to.

In the terminal program, type the command:

**AT#SCFG=3,3,300,90,600,50**

followed by the Enter key. The terminal should respond with:

**OK**

This is configuration information for setting up the context in the next step.

In the terminal program, type the command:

**AT+CGDCONT=3, "IPV4V6", "Verizon APN"**

where **Verizon APN** is the specific APN to connect to for your intended use, followed by the Enter key, and the terminal should respond with:

**OK**

**Note:** Consult Section 3: APN Setup for help with your Verizon APN.

To verify that the APN was set correctly, type the command:

**AT+CGDCONT?**

followed by the Enter key, and the terminal should respond with:

**+CGDCONT: 3, "IPV4V6", "Verizon APN"**

as well as the other PDP context information on the device.

To enable this setting, in the terminal program type the command:

**AT#SGACT=3,1**

followed by the enter key, and the terminal should respond with:

**#SGACT: www.xxx.yyy.zzz**

where **www.xxx.yyy.zzz** is the Skywire modem's IP address.

If the **AT#SGACT** command does not work, the terminal will respond with

**#ERROR**

and further setup may be necessary. Check the signal strength with **AT+CESQ** to verify the Skywire is getting an acceptable signal and the network registration with '**AT+CEREG?**' to confirm the modem has registered. Otherwise, consult the Telit AT Command Reference Guide for your particular modem.

### **2.15.3. NL-SW-LTE-TSVG APN Configuration**

Users have two options for setting up PDP Context on the CAT3 LTE Skywire™.

Use the VZW network to pull the proper APN:

In the terminal program, type the command:

**AT#OTAUIDM=0**

followed by the enter key, then wait for #DRELL response from the terminal.

Next, type the command:

**AT+CGDCONT?**

Read the response from the terminal and see what 3rd PDP context changed to.

The second method is to manually set the APN provided by VZW.

In the terminal program, type the command:

**AT#SCFG=3,3,300,90,600,50**

followed by the Enter key. The terminal should respond with:

**OK**

This is configuration information for setting up the context in the next step.

In the terminal program, type the command:

**AT+CGDCONT=3, "IP", "Verizon APN"**

where **Verizon APN** is the specific APN to connect to for your intended use, followed by the Enter key, and the terminal should respond with:

**OK**

**Note: Consult Section 3: APN Setup for help with your Verizon APN.**

To verify that the APN was set correctly, type the command:

**AT+CGDCONT?**

followed by the Enter key, and the terminal should respond with:

**+CGDCONT: 3, "IP", "Verizon APN"**

as well as the other PDP context information on the device.

To enable this setting, in the terminal program type the command:

**AT#SGACT=3,1**

followed by the enter key, and the terminal should respond with:

**#SGACT: www.xxx.yyy.zzz**

where **www.xxx.yyy.zzz** is the Skywire modem's IP address.

If the **AT#SGACT** command does not work, the terminal will respond with

**#ERROR**

and further setup may be necessary. Check the signal strength with **AT+CSQ** to verify the Skywire is getting an acceptable signal. Otherwise, consult the Telit AT Command Reference Guide for your particular modem.

#### **2.15.4. NL-SW-LTE-GELS3 APN Configuration**

In the terminal program, type the command:

**AT+CGDCONT=3, "IPV4V6", "Verizon APN"**

where **Verizon APN** is the specific APN to connect to for your intended use, followed by the Enter key, and the terminal should respond with:

**OK**

**Note: Consult Section 3: APN Setup for help with your Verizon APN.**

To verify that the APN was set correctly, type the command:

**AT+CGDCONT?**

followed by the Enter key, and the terminal should respond with:

**+CGDCONT: 3, "IPV4V6", "Verizon APN"**

as well as the other PDP context information on the device.

To enable this setting, in the terminal program type the command:

**AT^SICA=1,3**

followed by the enter key, and the terminal should respond with:

**OK**

To verify that the APN is correct, type the command:

**AT^SICA?**

followed by the enter key, and the terminal should respond with:

**^SICA: 1,1**

**^SICA: 2,0**

**^SICA: 3,1**

**^SICA: 4,0**

**^SICA: 8,0**

If the **AT^SICA** command does not work, the terminal will respond with

**#ERROR**

or **AT^SICA?** will respond with:

**^SICA: 3,0**

Check the signal strength with **AT+CSQ** to verify the Skywire is getting an acceptable signal. Otherwise, consult the Nimbelinek AT Command Manual for Firmware 4.3.2.0.

#### **2.15.5. NL-SW-LTE-WM14 APN Configuration:**

In the terminal program, type the command:

**AT%PDNSET=1,"APN","IP"**

where **APN** is the individual APN for your network, followed by the Enter key, and the terminal program should respond with:

**OK**

**Note: Consult Section 3: APN Setup for help with your APN.**

To verify that the APN was set correctly, in the terminal program type the command:

**AT%PDNSET?**

followed by the Enter key, and the terminal should respond with:

**%PDNSET: 1,APN,IP,,,,,0**

as well as the other PDP context information on the device.

Further setup may be necessary. Check the signal strength with **AT+CSQ** to verify the Skywire is getting an acceptable signal. Otherwise, consult the Telit AT Command Reference Guide for your particular modem.

#### **2.15.6. NL-SW-LTE-QBG96 APN Configuration:**

In the terminal program, type the following command:

**AT+CFUN=0**

The terminal should respond with:

**OK**

The above command disables cellular functionality, and deactivates any previously activated PDP contexts. Next, enter the command below to configure the APN:

**AT+CGDCONT=1,"IPV4V6","APN"**

Where **APN** is replaced with the individual APN for your network. The terminal program should respond with:

**OK**

**Note: Consult Section 3: APN Setup for help with your APN.**

Finally, turn on cellular functionality by issuing the following command:

**AT+CFUN=1**

The modem should respond with:

**OK**

After turning on cellular functionality, the Skywire will automatically activate the specified PDP context. To confirm that the PDP context has indeed been activated, issue the following command:

**AT+CGACT?**

The terminal should respond with:

**+CGACT: 1,1**

If the modem responds with the above line, then the PDP context has been successfully activated.

## 2.16. Check Network Registration

The commands to check network registration differ depending on the modem technology your modem is using. 2G/3G devices will use the AT+CREG command and LTE devices will use the AT+CEREG or AT+CGREG commands.

### 2.16.1. 2G/3G Network Registration

To check network registration for these modems:

- NL-SW-1xRTT-A
- NL-SW-1xRTT-S
- NL-SW-1xRTT-V
- NL-SW-EVDO-A
- NL-SW-EVDO-V
- NL-SW-GPRS
- NL-SW-HSPA
- NL-SW-HSPA-B

follow this procedure:

In the terminal program, type the command:

**AT+CREG?**

followed by the Enter key, and the terminal should respond with:

**+CREG: 0,1** or **+CREG: 0,5**

For all other responses, review network status responses online in your respective AT Commands Manual.

## 2.16.2. LTE Modem Network Registration

To check network registration for these modems:

- NL-SW-LTE-TSVG
- NL-SW-LTE-TNAG
- NL-SW-LTE-TEUG
- NL-SW-LTE-TC4EU
- NL-SW-LTE-TC4NAG

follow this procedure:

In the terminal program, type the command:

**AT+CEREG?**

followed by the Enter key, and the terminal should respond with:

**+CEREG: 0,1** or **+CEREG: 0,5**

For all other responses, review network status responses online in your respective AT Commands Manual.

### 2.16.2.1. NL-SW-LTE-GELS3

To test NL-SW-LTE-GELS3, follow this procedure:

If you recently updated the firmware on your NL-SW-LTE-GELS3, verify that cellular functionality is enabled. To do so, type the following command into the terminal program:

**AT+CFUN=1**

followed by the Enter key, and the terminal should respond with:

**OK**

Next, in the terminal program, type the command:

**AT+CEREG?**

For Firmware 4.3.2.0 or newer, the terminal should respond with:

**+CEREG: 0,1** or **+CEREG: 0,5**

For all other responses, review network status responses online in your respective AT Commands Manual.



### 2.16.2.2. NL-SW-LTE-WM14

To test NL-SW-LTE-WM14, follow this procedure:

In the terminal program, type the command:

**AT+CEREG?**

followed by the Enter key, and the terminal should respond with:

**+CEREG: 2, 1, xxxx, yyyyyyyy, z**

For all other responses, review network status responses online in your respective AT Commands Manual.

### 2.16.2.3. NL-SW-LTE-QBG96

For NL-SW-LTE-QBG96 Skywire Modems:

In the terminal program, issue the following command:

**AT+CEREG?**

The modem should respond with:

**+CEREG: x,1**

Where **x** indicates the state of the **+CEREG** unsolicited response code, and **1** indicates that the modem is registered to the home network. The modem may also respond with:

**+CEREG: x,5**

Which indicates that the modem is registered, and roaming on the cellular network.

For all other responses, review network status responses online in your respective AT Commands Manual.

For information on the **+CEREG** URC, please refer to the AT command manual on the QBG96 product page.



**Reset power, and repeat steps 2.5 through 2.15 (as applicable) before moving on to Section 4.**

## 3. APN Setup

### 3.1. Overview

GSM and LTE-based Skywire modems can be setup to use different APNs. APNs are used by devices and cellular networks to initialize and properly set up a cellular connection. Accordingly, in order to connect to a cellular network, it is crucial to ensure that the proper APN is set on the device.

If you activated your Skywire modem on <https://go.nimbelink.com>, use the APN's defined in Section 3.2. For data plans not activated through NimbeLink please reach out to your carrier for APN configuration details.

### 3.2. Common APNs and Their Respective Carriers

The table below contains a list of common APNs and their respective carriers. It is important to use the APN that corresponds to the proper carrier and the specific IP address configuration. Failure to do so will result in failed cellular network connections.

Cellular Carrier	Common APNs	Description
Verizon	NIMBLINK.GW12.VZWENTP	APN for Verizon devices activated through Go.NimbeLink.com
	MW01.VZWINTERNET	APN for devices upgraded to a Public Static IP address
AT&T	iot0718.com.attz	AT&T Direct APN
T-Mobile	m2mgloba1	T-Mobile Direct APN

## 4. Common Next Steps

Once the network setup and testing is complete, you are ready to start developing with your Skywire modem. Common application examples include sending and receiving SMS messages, FTP file transfer, TCP/UDP packets, and using the modem with an external microcontroller, such as an Arduino. Please consult these application notes on the Skywire Development Kit page (<http://nimbelink.com/skywire-development-kit/>) or your Skywire-specific page for specific examples of each type of operation.