

SPECIFICATION :

1. Electrical Char.

- Insulation Resistance : 500M-Ohm Min. 500V DC. for 1 minute.
- Contact Resistance : 20milli-ohm Max.
- Rating Current : 1.5A Max.
- Rating Voltage : 120V AC.
- Dielectric Voltage : 1,000 Vrms at 1MA 60 Sec. Min.

2. Physical char.

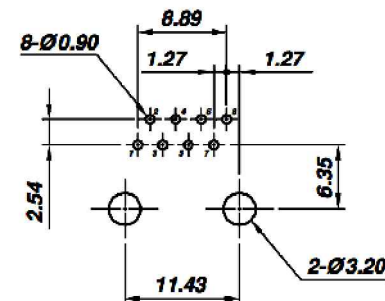
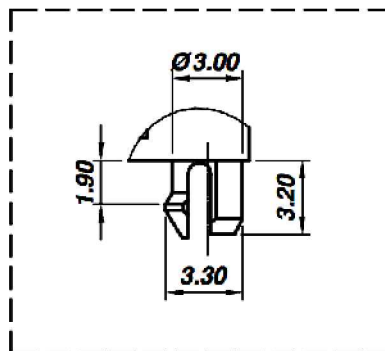
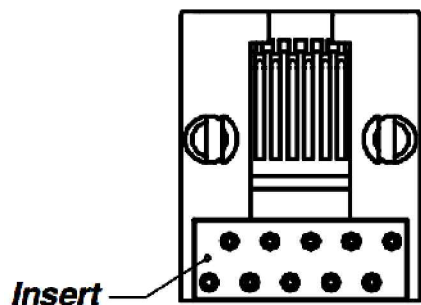
Housing(Optional) :

- PBT Glass Filled (UL 94V-0),Soldering Temperature:235°C for 5 Sec.
- Nylon (UL 94V-0),Soldering Temperature:260°C for 5 Sec.

Color : Black Color

Spring Wire :

- 0.45mm Dia Phosphor Bronze Gold Plating Over Nickel
- Temperature Range : -40°C /+85°C
- Durability : 500 Mating cycles Min.



**PCB LAYOUT
(Top View)**

RoHS compliant
Unit: mm

| | | | | | | | | |
|-----------|-------|-----|--------------|------------|----------|------------|--------|-------------------|
| Scale | FREE | | | | | Date | Name | Customer-No. |
| TOLERANCE | | | | | Drawn | 08.06.2016 | Joanna | |
| X. | ±1 | | | | Approved | 08.06.2016 | Joanna | ASSMANN WSW-No. |
| .XX | ±0.25 | | | | | | | A-2004-2-4-LP-N-R |
| .XXX | ±0.13 | | | | | | | Drawing-No. |
| .XXXX | ±0.05 | | | | | | | ASS 7273 CO |
| | | Ⓢ | Drawn | 08.06.2016 | Joanna | | | rev00 |
| Angle | TOL | Id. | Modification | Date | Name | | | Replace |

