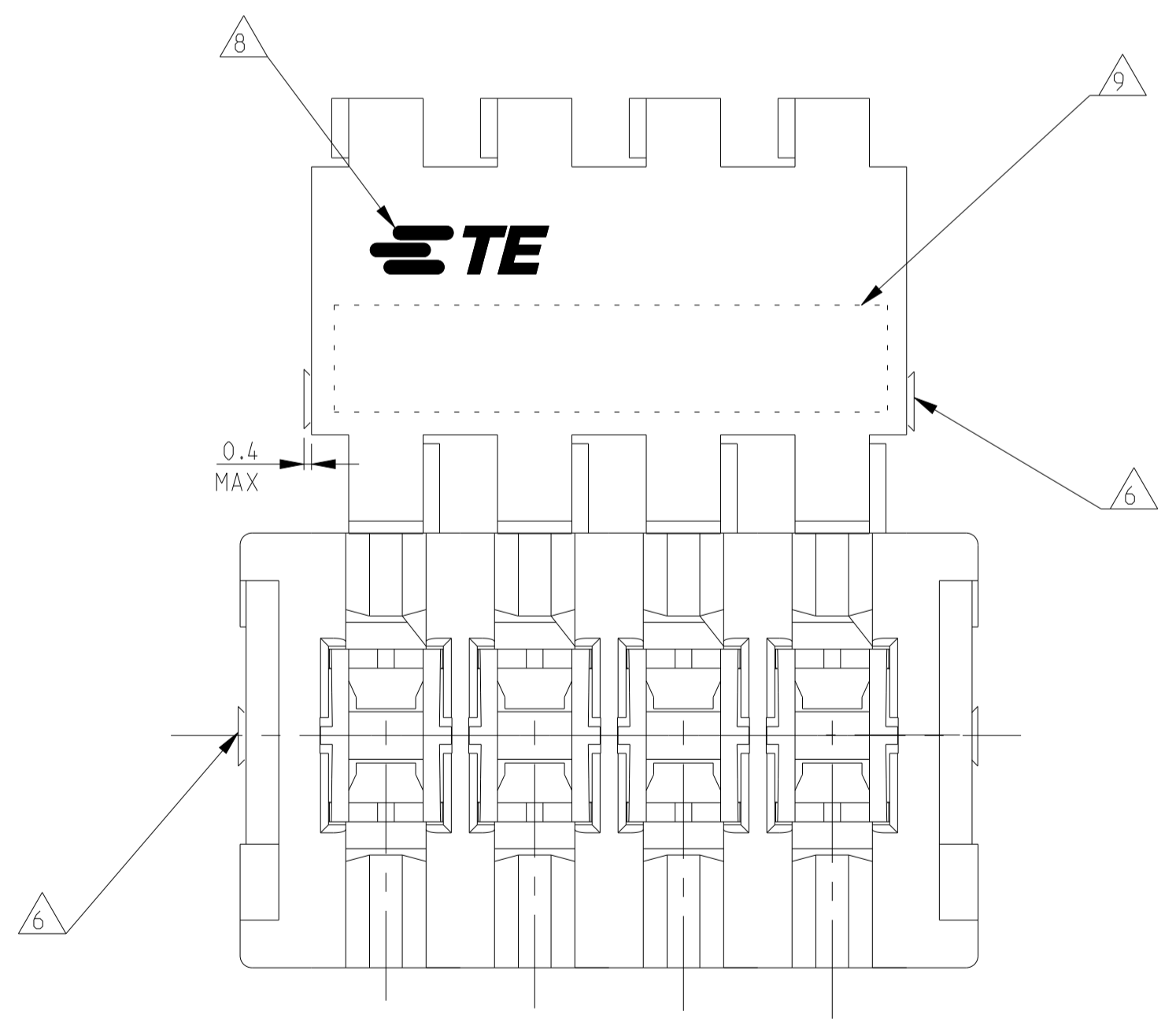
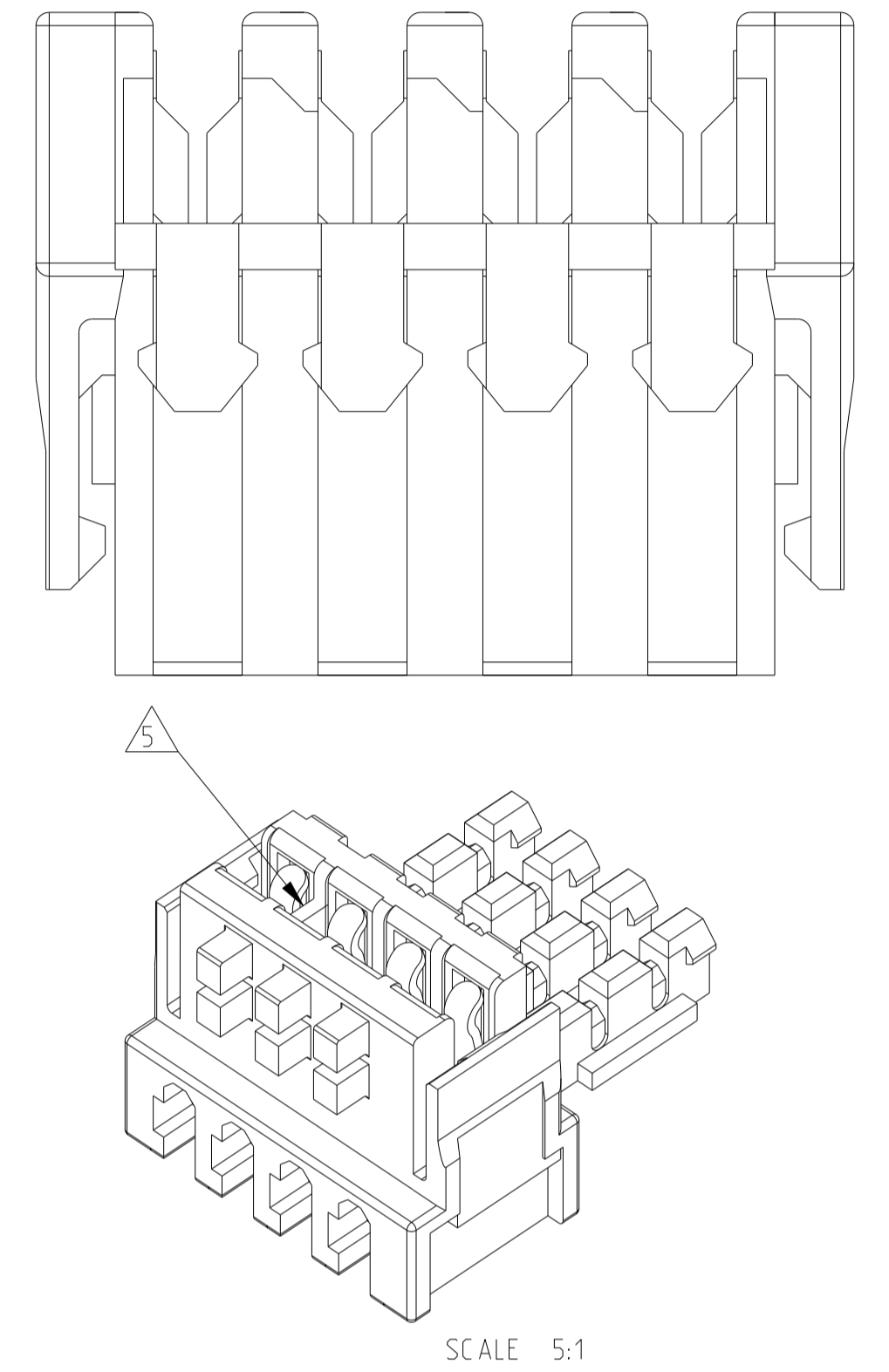
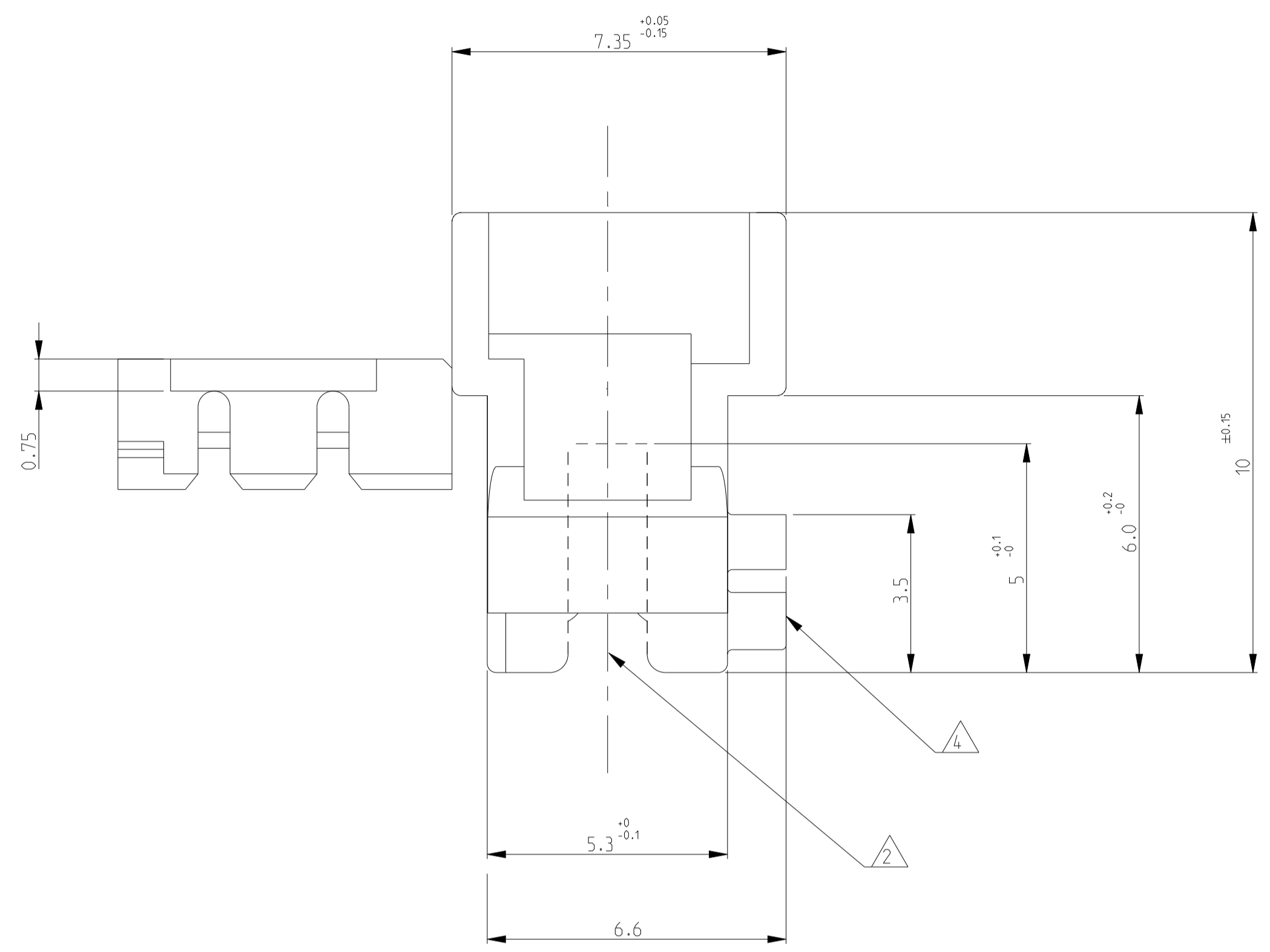
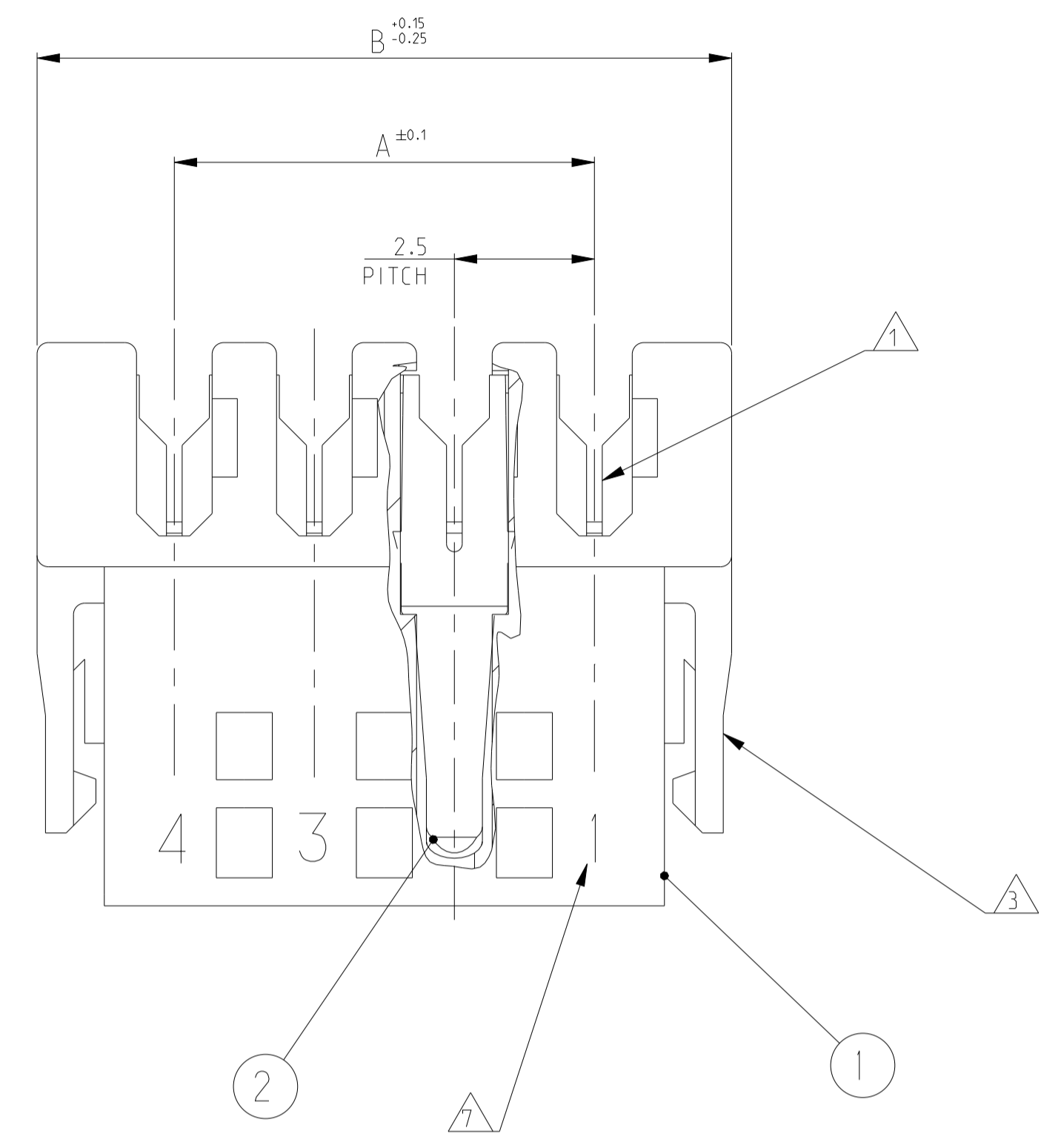


REVISONS		DATE	DWN	APVD
B4	ECR-22-126910	24JAN2022	DC	FL
C	ECR-22-128794	10FEB2022	DC	FL
C1	ECR-22-134224	04APR2022	DC	FL
C2	ECR-22-162225	13JAN2023	DC	FL



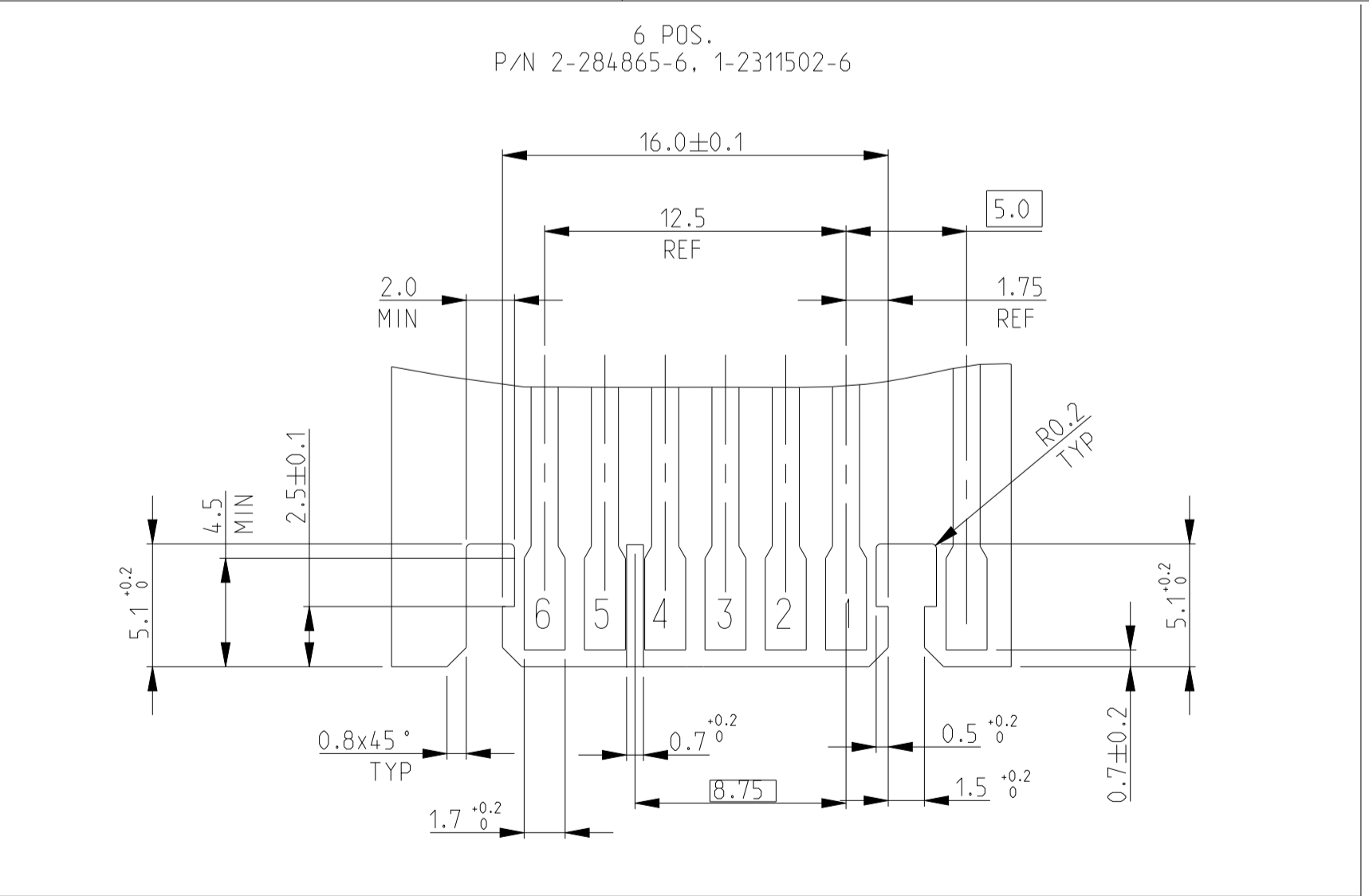
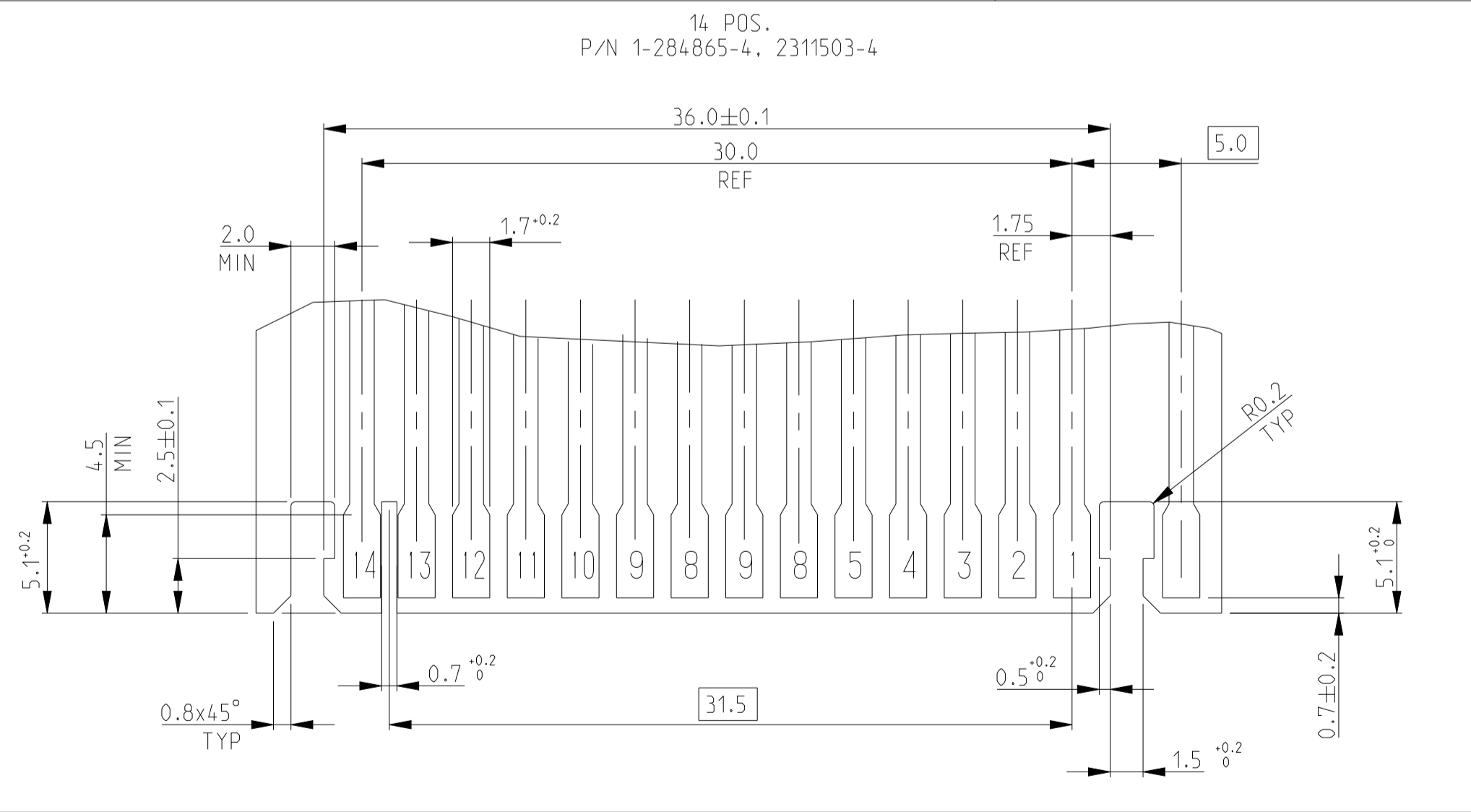
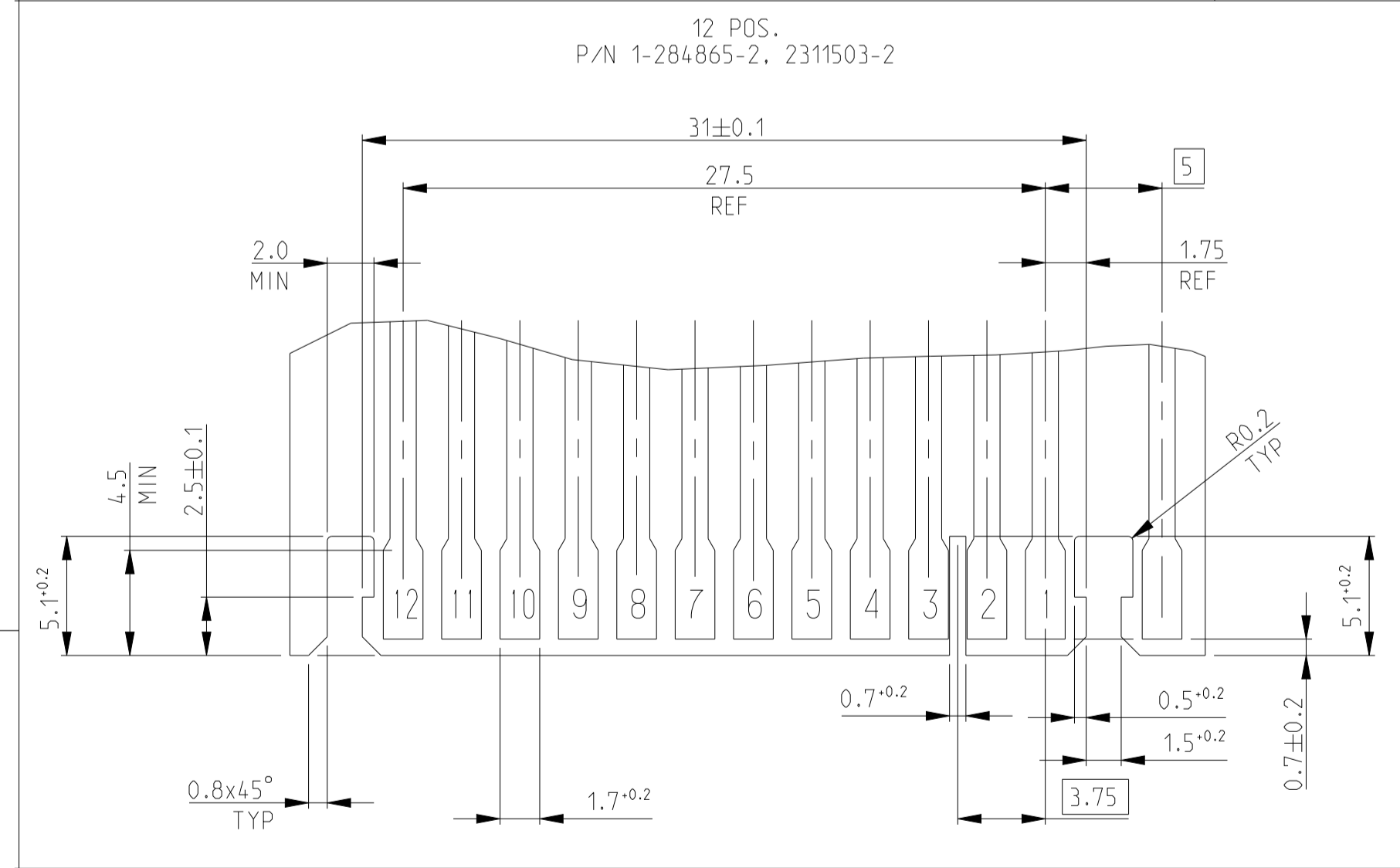
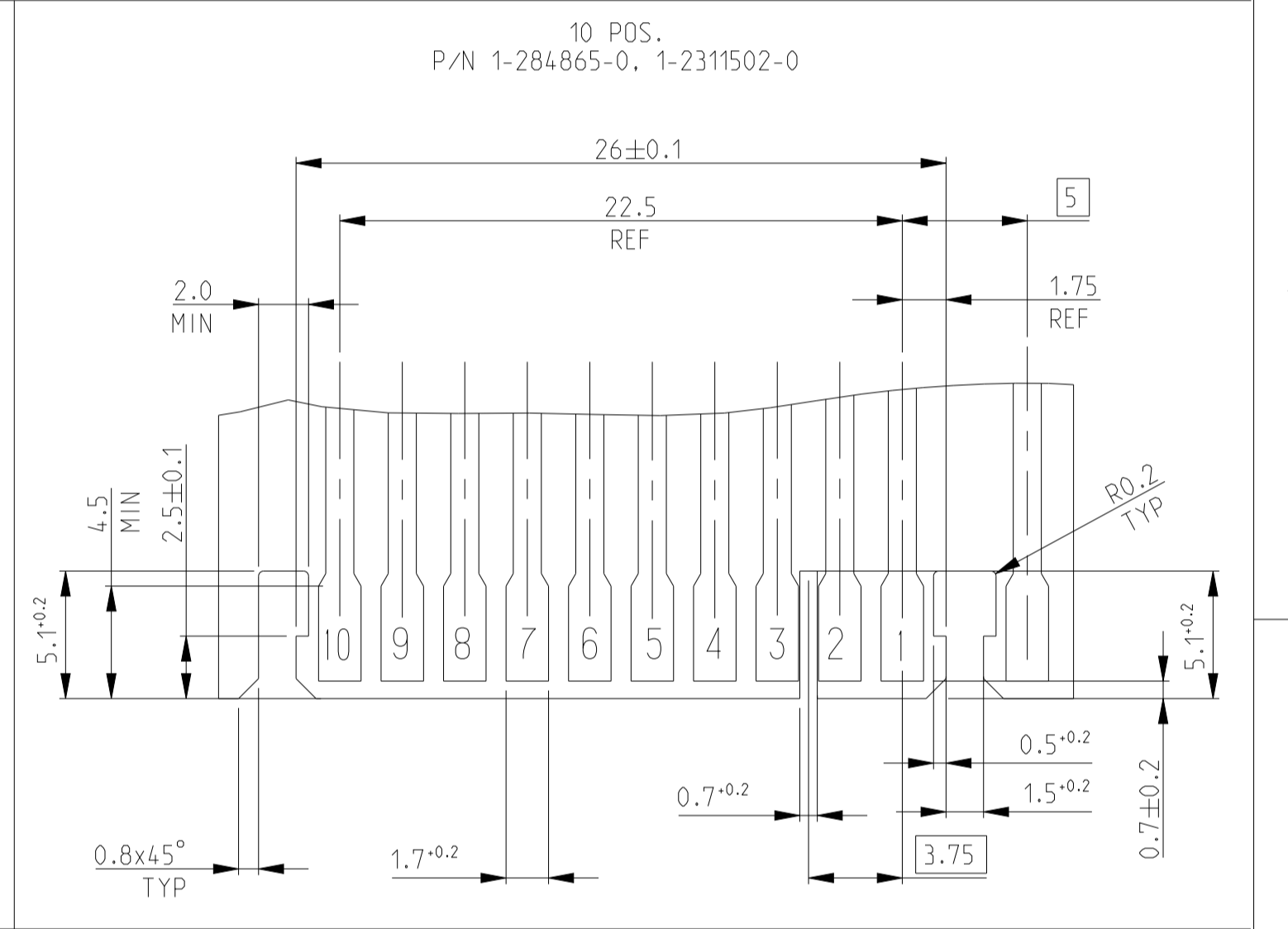
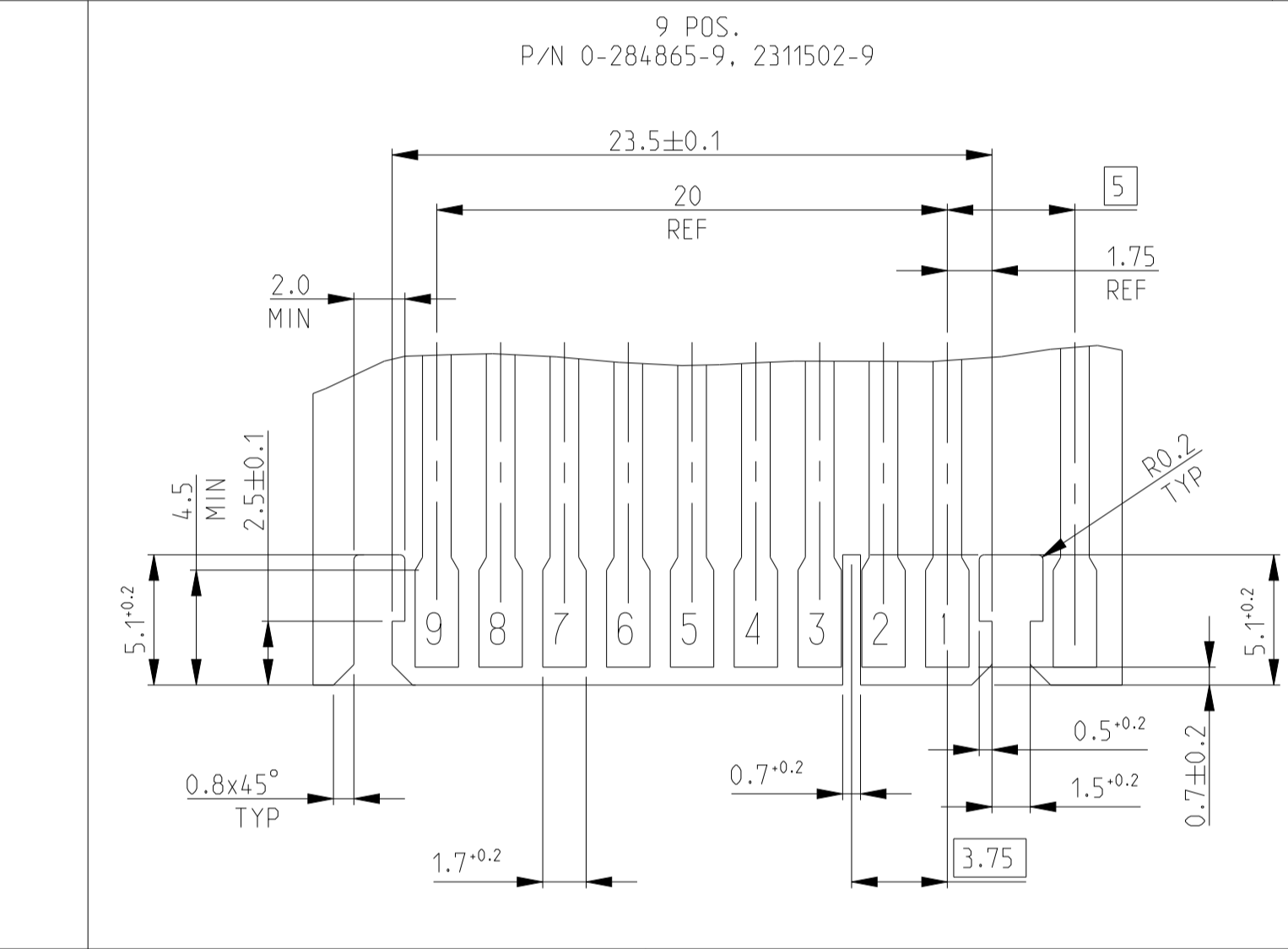
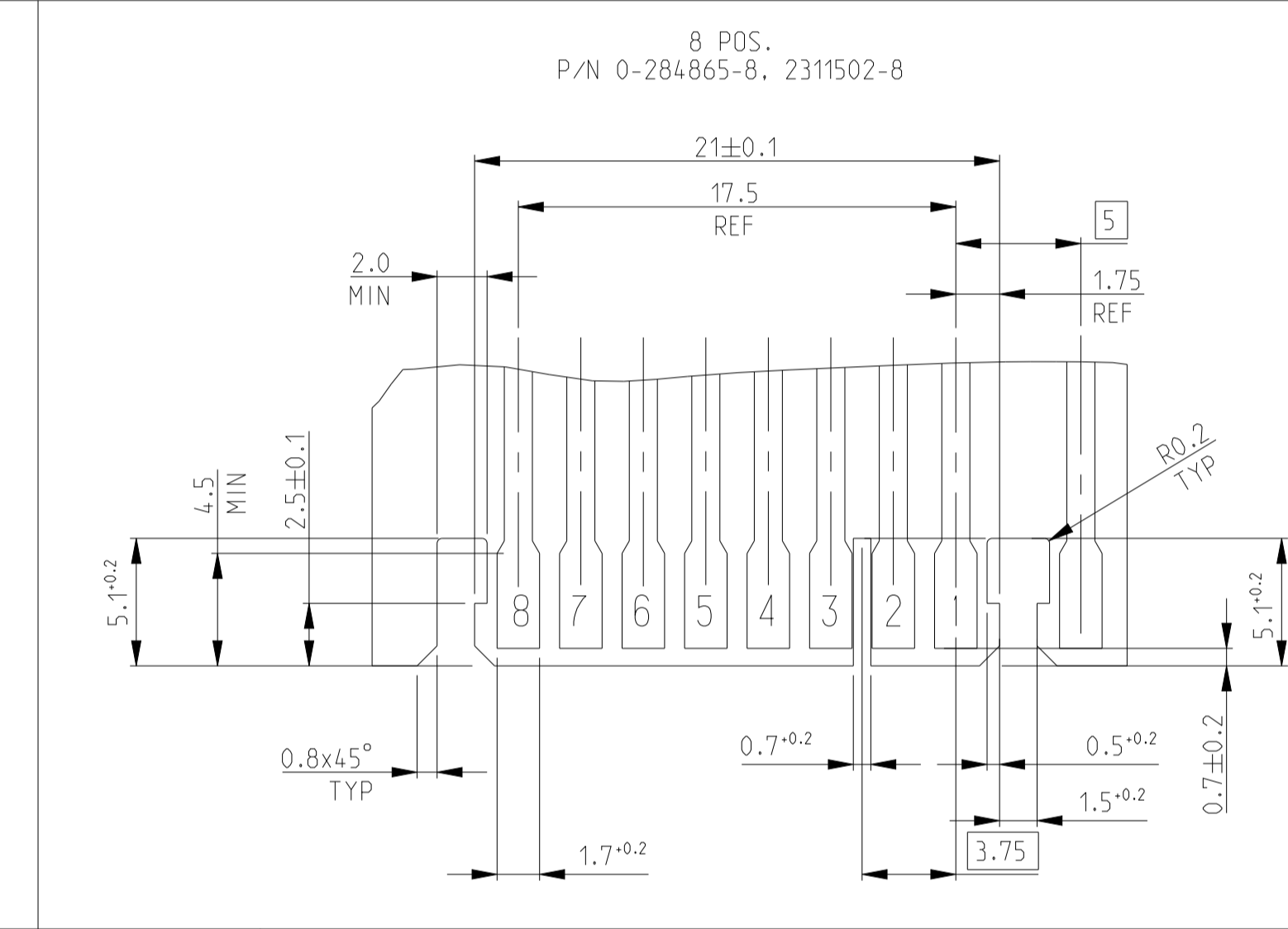
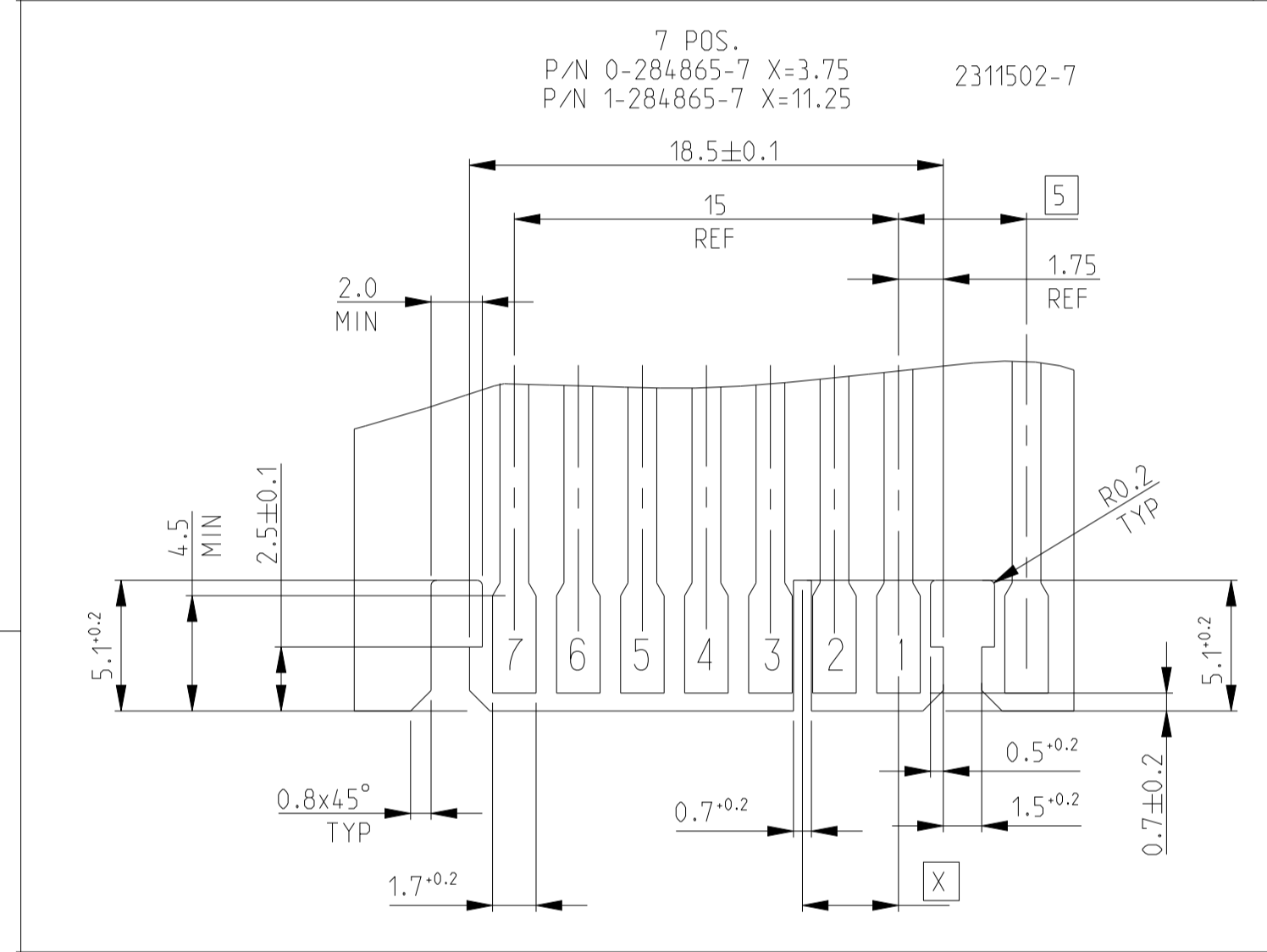
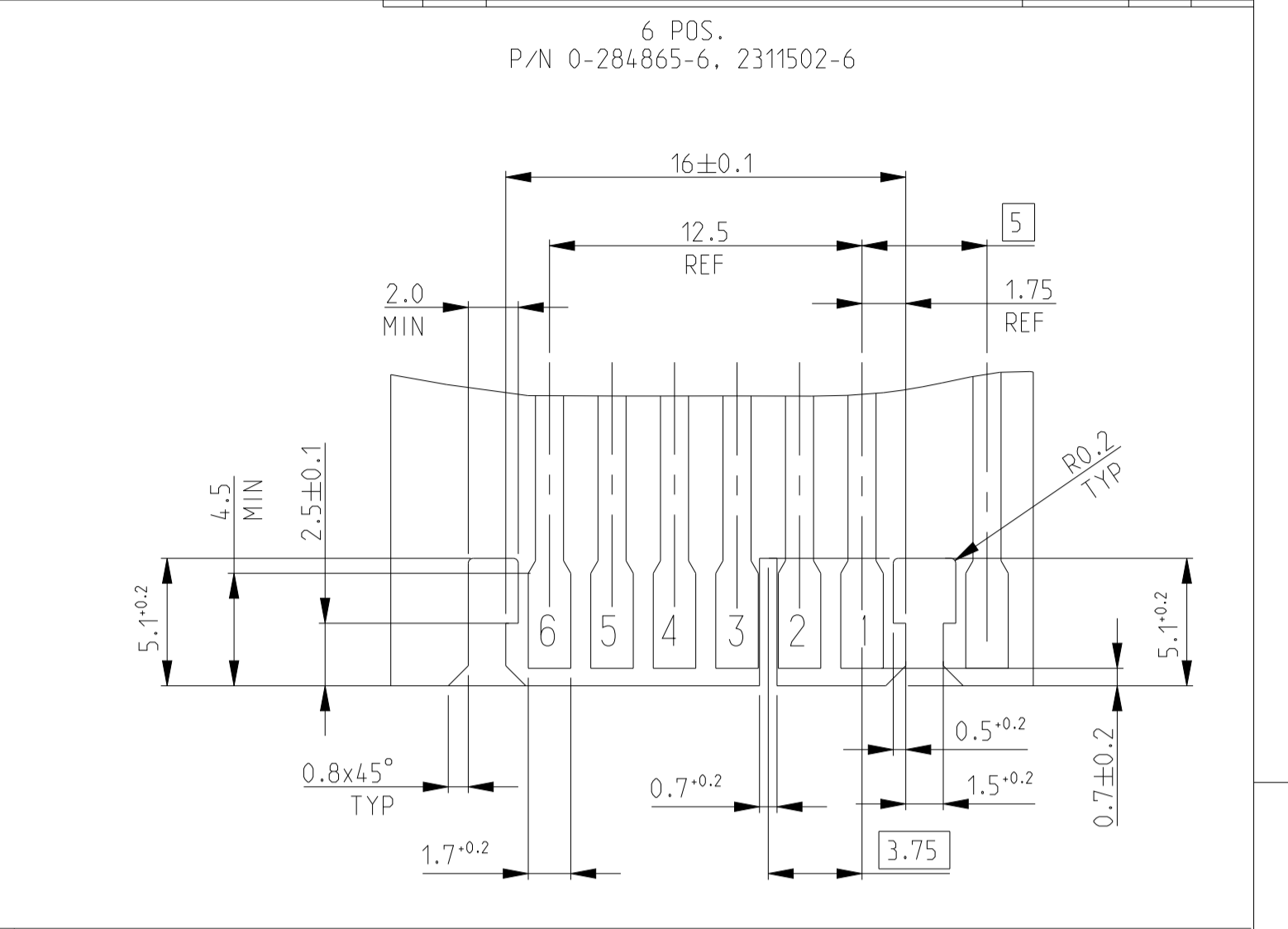
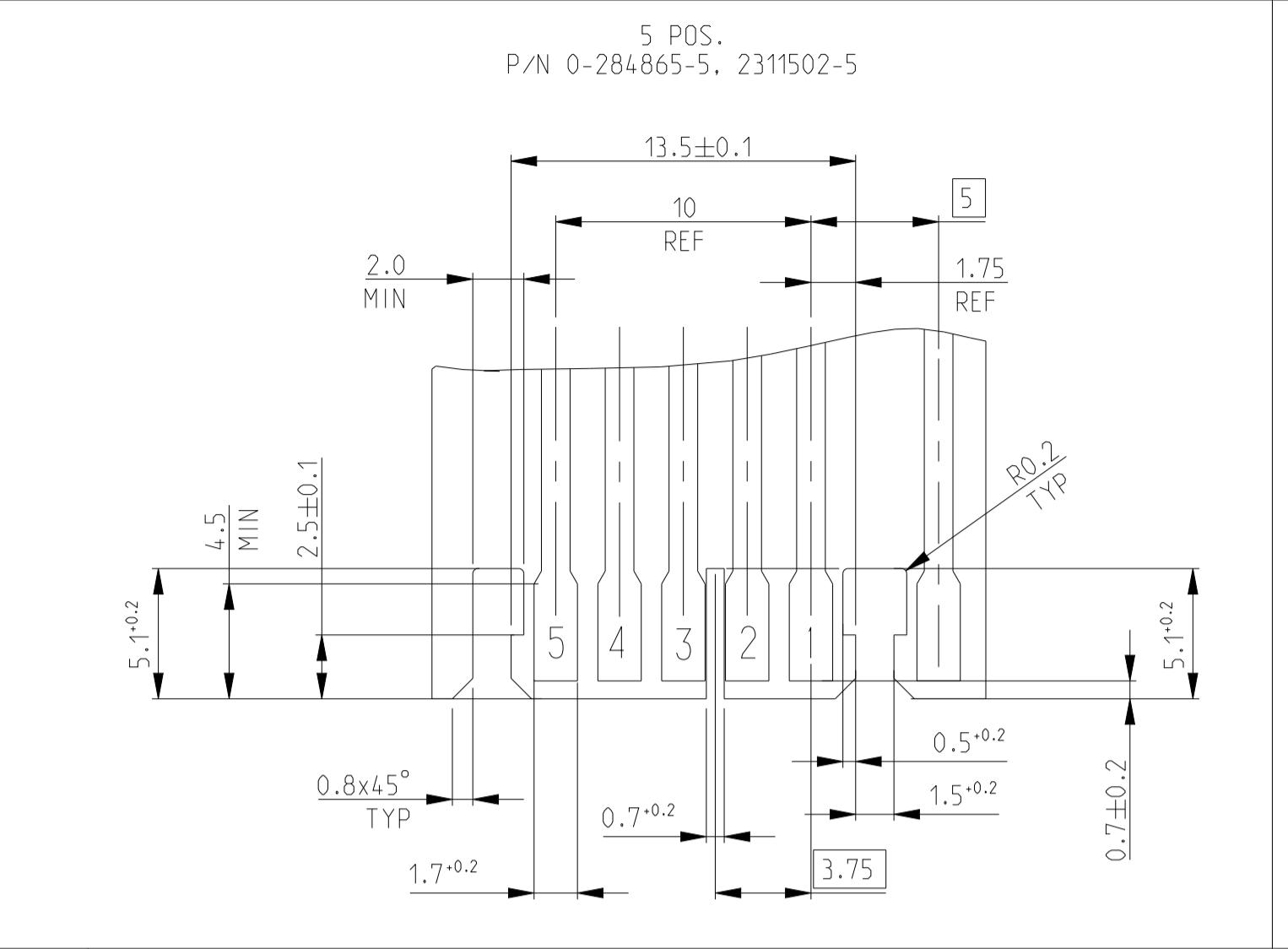
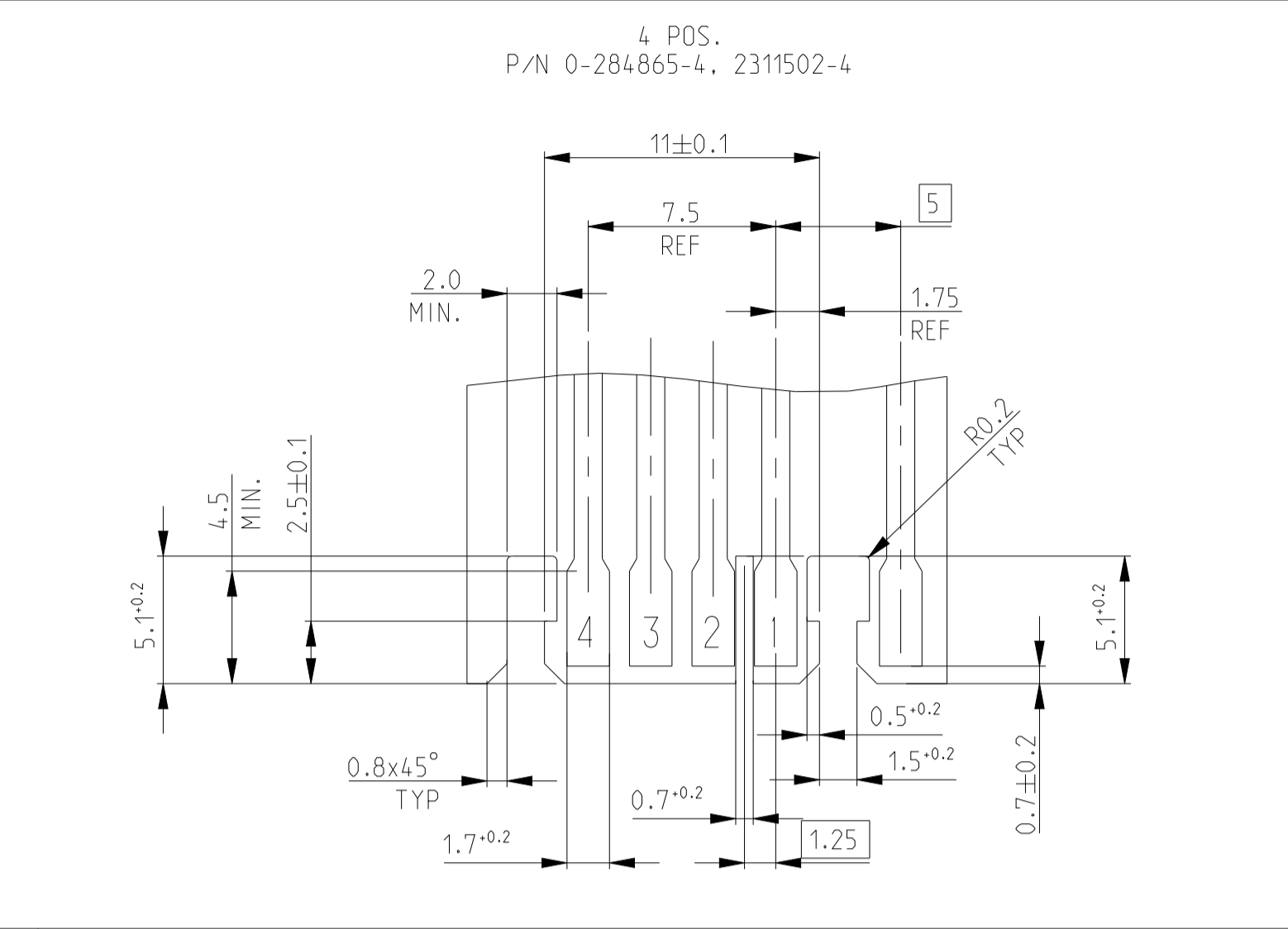
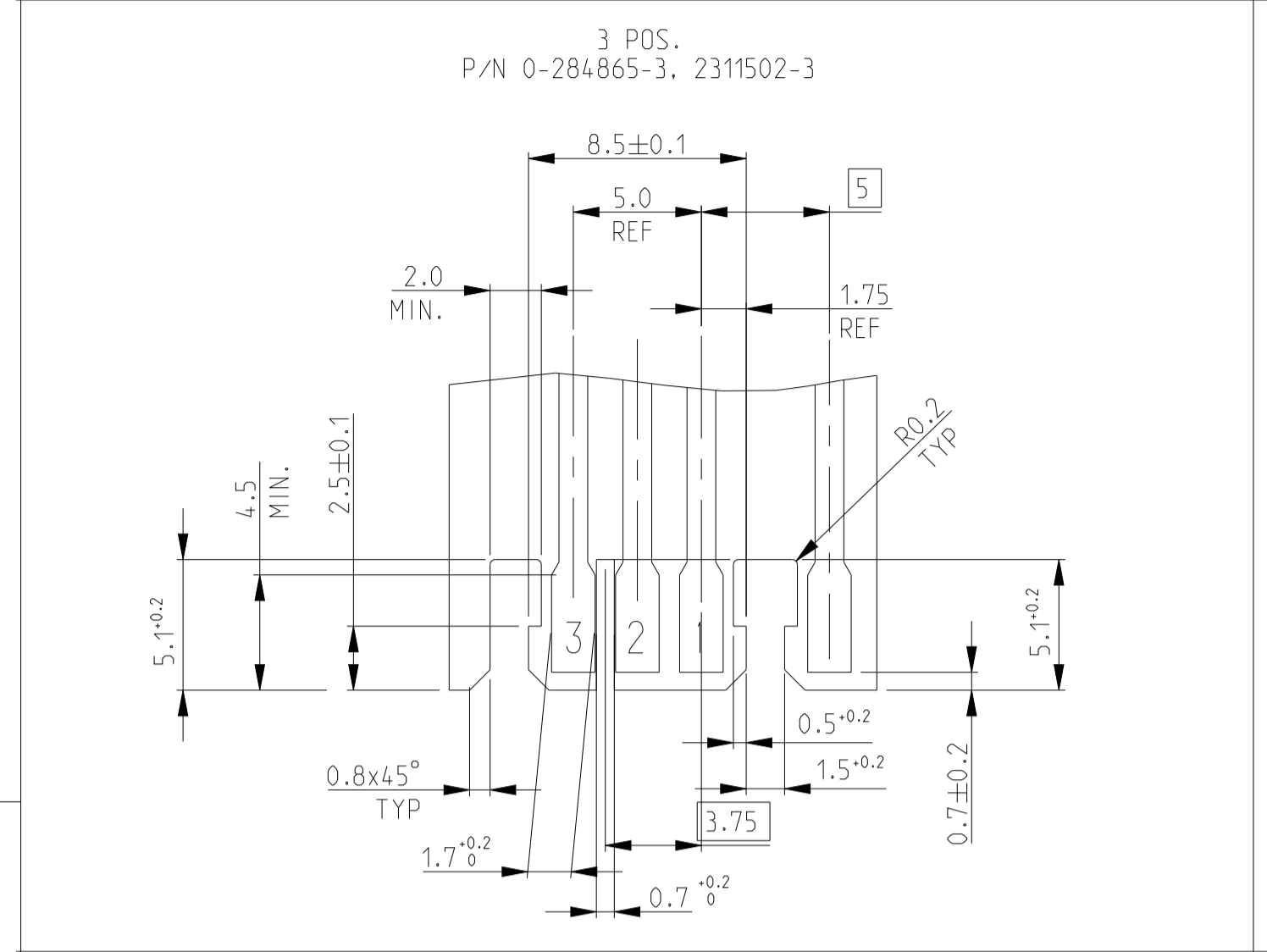
- 1 WIRE RANGE : STRANDED 0.22-0.35 mm² (INS. DIA. 1.30±0.1)
- 2 MATING PART: P.C.B. EDGE, DOUBLE SIDE, THK 1.5 (COPPER CLADDING INCLUDED)
- 3 SIDE LOCKING DEVICE
- 4 KEYING RIBS TO BE REMOVED BY TERMINATION MACHINE
- 5 POLARIZATION RIBS BETWEEN CAVITIES
- 6 CUT OFF DIMENSION DUE TO PRODUCTION PROCESS
- 7 CIRCUIT No. IDENTIFICATION
- 8 TE TRADEMARK (OPTIONAL POSITION)
- 9 TAMPOGRAPHIC COLOUR CODE AREA (P/Ns IDENTIFICATION BEFORE CRIMPING AREA)
- 10 FOR PCB LAYOUT, SEE PAGES 2-3 FOR CONNECTION VIEW LAYOUT, SEE PAGE 3
- 11 PRELIMINARY PART, NOT YET RELEASED FOR PRODUCTION
- 12 NOT DEFINED DURING PRELIMINARY STATUS
- 13 PBT GF
- 14 PA GF, UL94-V0 & GWPT 750 NO-FLAME, NATURAL
- 15 ALTERNATIVE RESIN PBT GF
- 16 PART RELEASED WITHOUT EXTENSIVE TERMINATION TESTS

COLOUR CODE	POLARIZ. RIB POS.	HSG POS.	DIM.A	DIM.B	TE P/N	TE P/N	TE P/N
BLACK	13/14	14	32.5	37.4	1-284865-4	2311503-4	1-2402731-4
RED	11/12	12	27.5	32.4	2-284865-2	1-2311503-2	2-2402731-2
BLACK	2/3	10	22.5	27.4	1-284865-2	2311503-2	1-2402731-2
RED	9/10	8	17.5	22.4	2-284865-0	2-2311502-0	2-2402731-0
BLACK	2/3	9	20.0	24.9	1-284865-0	1-2311502-0	1-2402731-0
BLACK	2/3	9	20.0	24.9	0-284865-9	2311502-9	2402731-9
RED	3/4	8	17.5	22.4	2-284865-8	1-2311502-8	2-2402731-8
BLACK	2/3	7	15.0	19.9	0-284865-8	2311502-8	2402731-8
-	5/6	7	15.0	19.9	1-284865-7	2311502-7	1-2402731-7
BLACK	2/3	7	15.0	19.9	0-284865-7	2311502-7	2402731-7
-	3/4				5-284865-6	4-2311502-6	5-2402731-6
ORANGE	5/6				4-284865-6	3-2311502-6	4-2402731-6
OBSOLETE	BLUE	1/2	6	12.5	17.4	3-284865-6	-
RED	4/5				2-284865-6	1-2311502-6	2-2402731-6
BLACK	2/3				0-284865-6	2311502-6	2402731-6
GREY	1/2				3-284865-5	2-2311502-5	3-2402731-5
RED	3/4	5	10.0	14.9	2-284865-5	1-2311502-5	2-2402731-5
BLACK	2/3				0-284865-5	2311502-5	2402731-5
RED	3/4				3-284865-4	1-2311502-4	3-2402731-4
OBSOLETE	RED	N/A			2-284865-4	-	-
BLACK	1/2	4	7.5	12.4	0-284865-4	2311502-4	2402731-4
RED	1/2	3	5.0	9.9	2-284865-3	1-2311502-3	2-2402731-3
BLACK	2/3				0-284865-3	2311502-3	2402731-3

-				THIS DRAWING IS A CONTROLLED DOCUMENT.				DWN R. FABRIS 03JUL2002	
SEE TABLE	PH. BRONZE, TIN PLATED	IDC RECEPTACLE CONTACT	2	DIMENSIONS: mm		TOLERANCES UNLESS OTHERWISE SPECIFIED:		APVD G. TURCO	
Q.TY	PBT GLASS FIBER FILLED	FEMALE HOUSING	1	±0.2		±0.1		NAME	
1	MATERIAL	DESCRIPTION	ITEM	±0.1		±0.1		DUOPLUG 2.5 FEMALE CONN., SIDE LOCKING KEYED (FULLY LOADED)	
REVISIONE DELL'ASSEMBLATO (REVISION OF EACH ASSY NO)				MATERIAL SEE TABLE		SEE TABLE		SIZE CAGE CODE DRAWING NO RESTRICTED TO	
ELENCO DEI COMPONENTI (PARTS LIST)				SEE TABLE		SEE TABLE		116-18049-1 WEIGHT	
P/N 0-284865-4 AS SHOWN				SEE TABLE		SEE TABLE		A1 00779 C=284865	
Customer Drawing				SCALE 10:1		SHEET 1 OF 4		REV. 2	

PCB LAYOUT -Soldering side-
 (SCALE 4:1)

LOC		DIST		REVISIONS			
P	LTN	DATE	OWN	APVD	DESCRIPTION		
-	-	-	-	-	SEE SHEET 1		



THIS DRAWING IS A CONTROLLED DOCUMENT. OWN R. FABRIS 03JUL2002
 DIMENSIONS: mm TOLERANCES UNLESS OTHERWISE SPECIFIED:
 0 PLC # # # # #
 1 PLC # # # # #
 2 PLC # # # # #
 3 PLC # # # # #
 4 PLC # # # # #
 ANGLES # # # # #
 MATERIAL SEE TABLE FINISH SEE TABLE

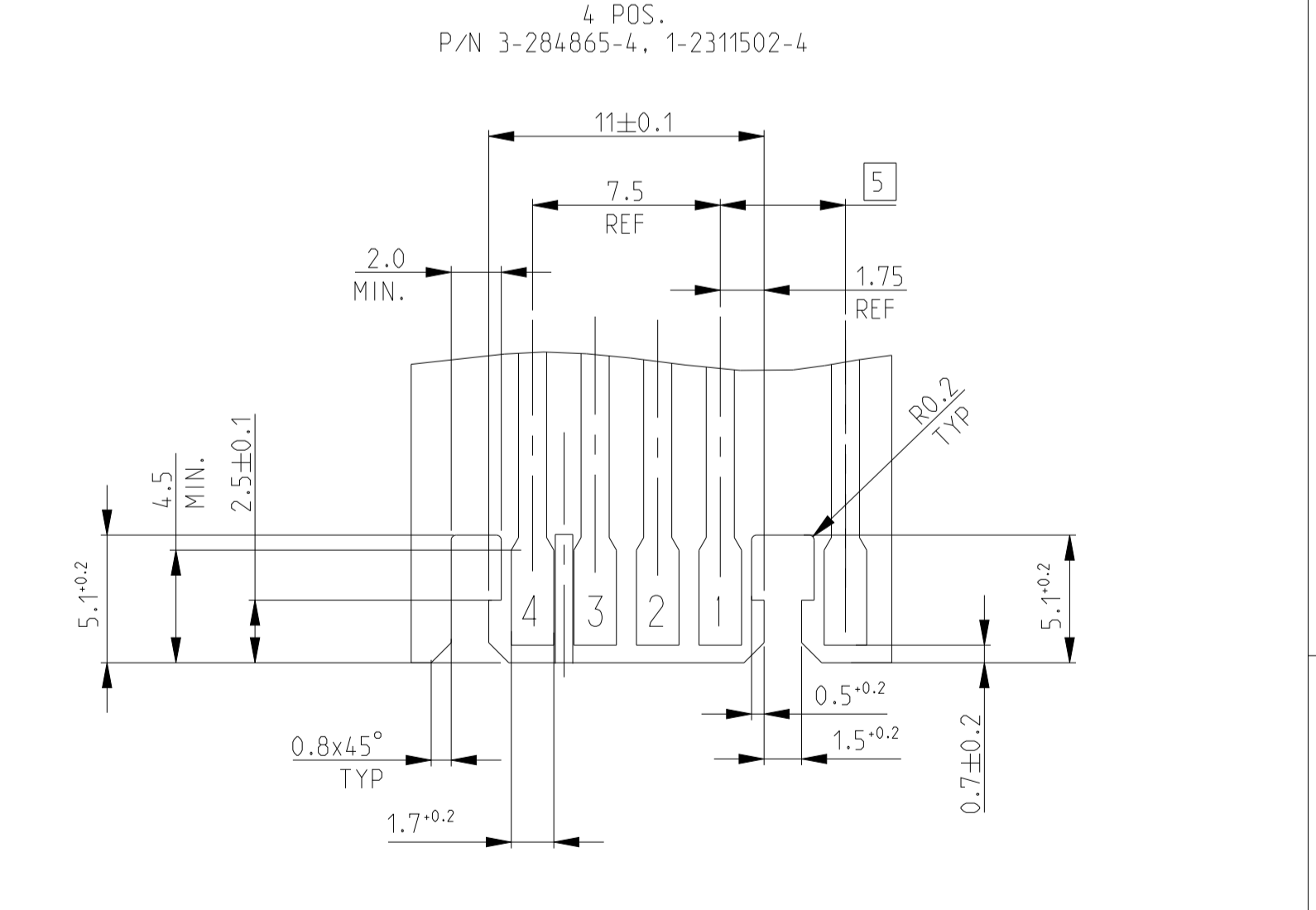
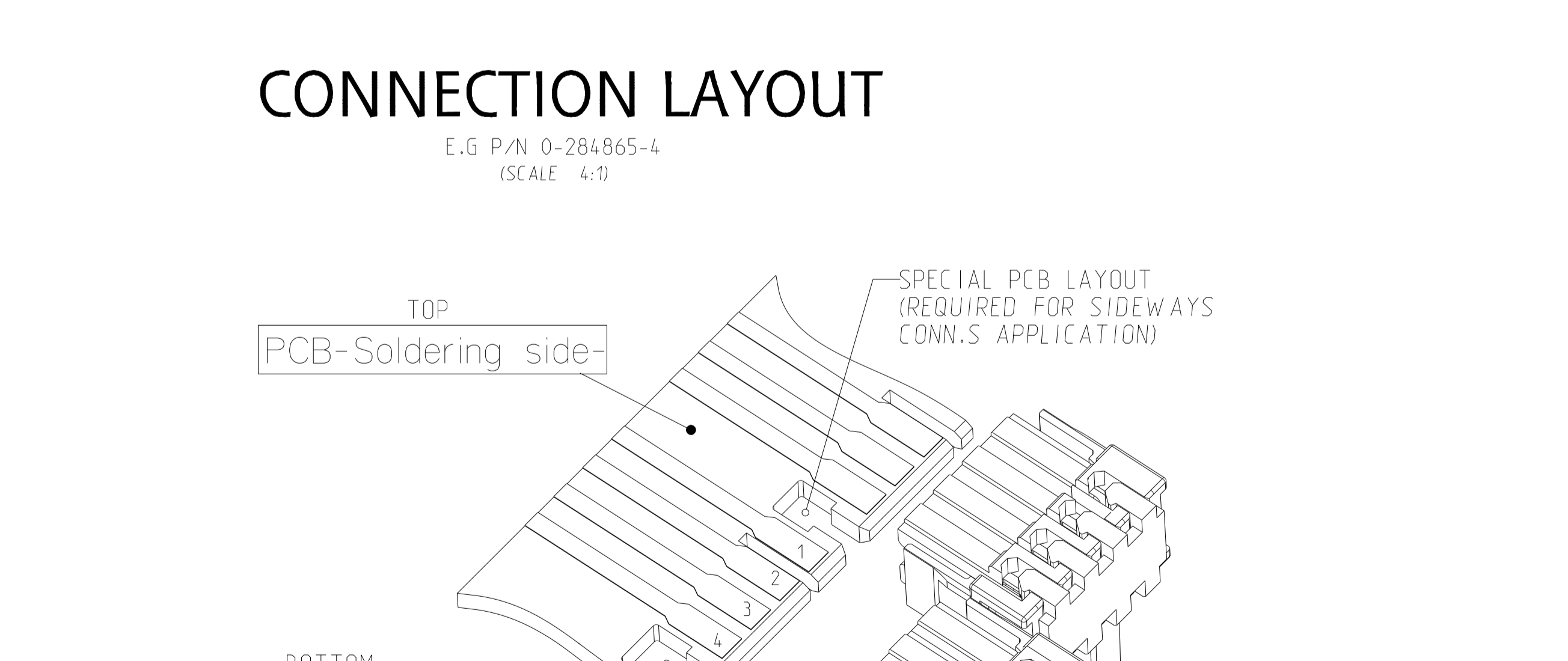
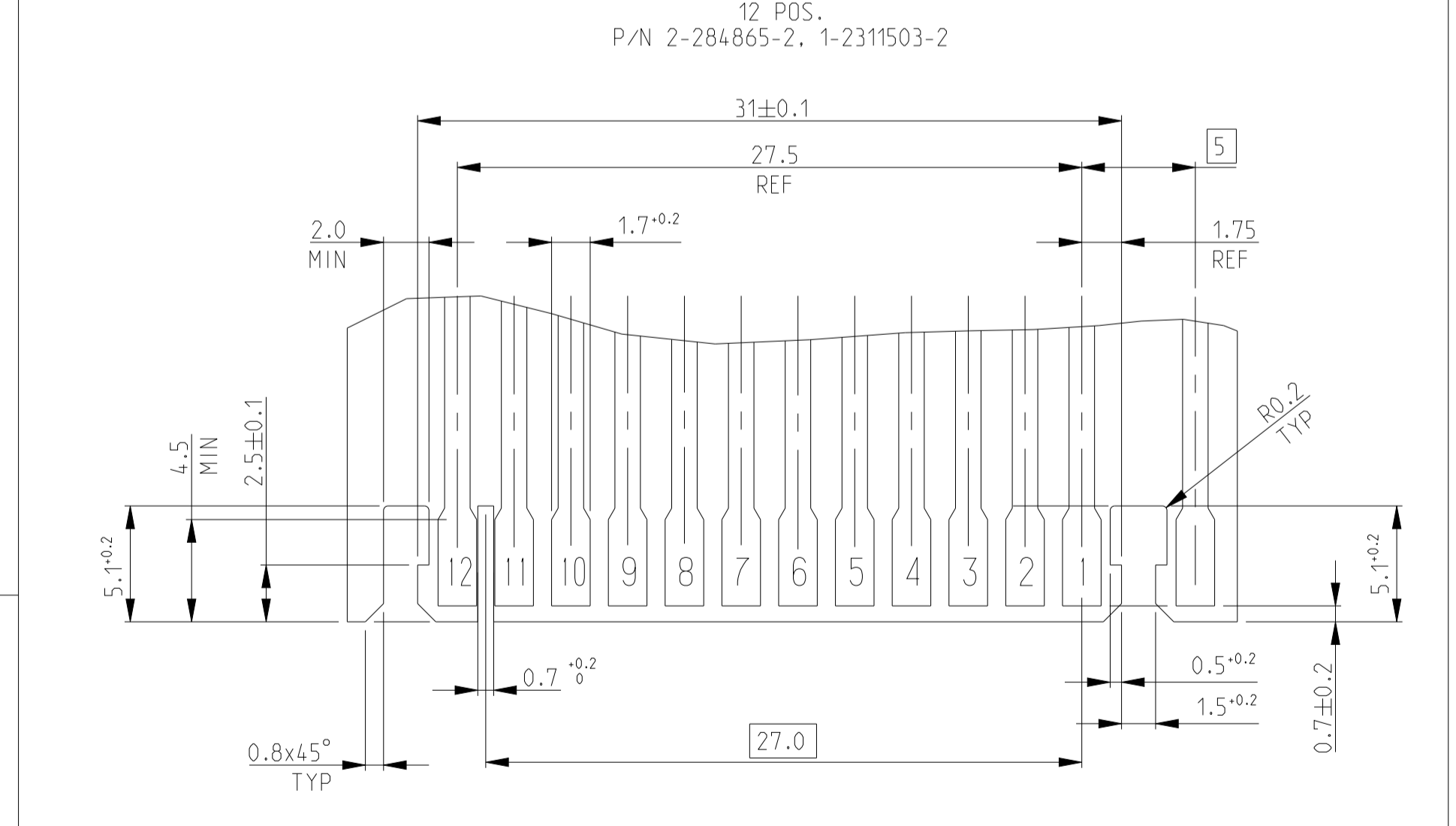
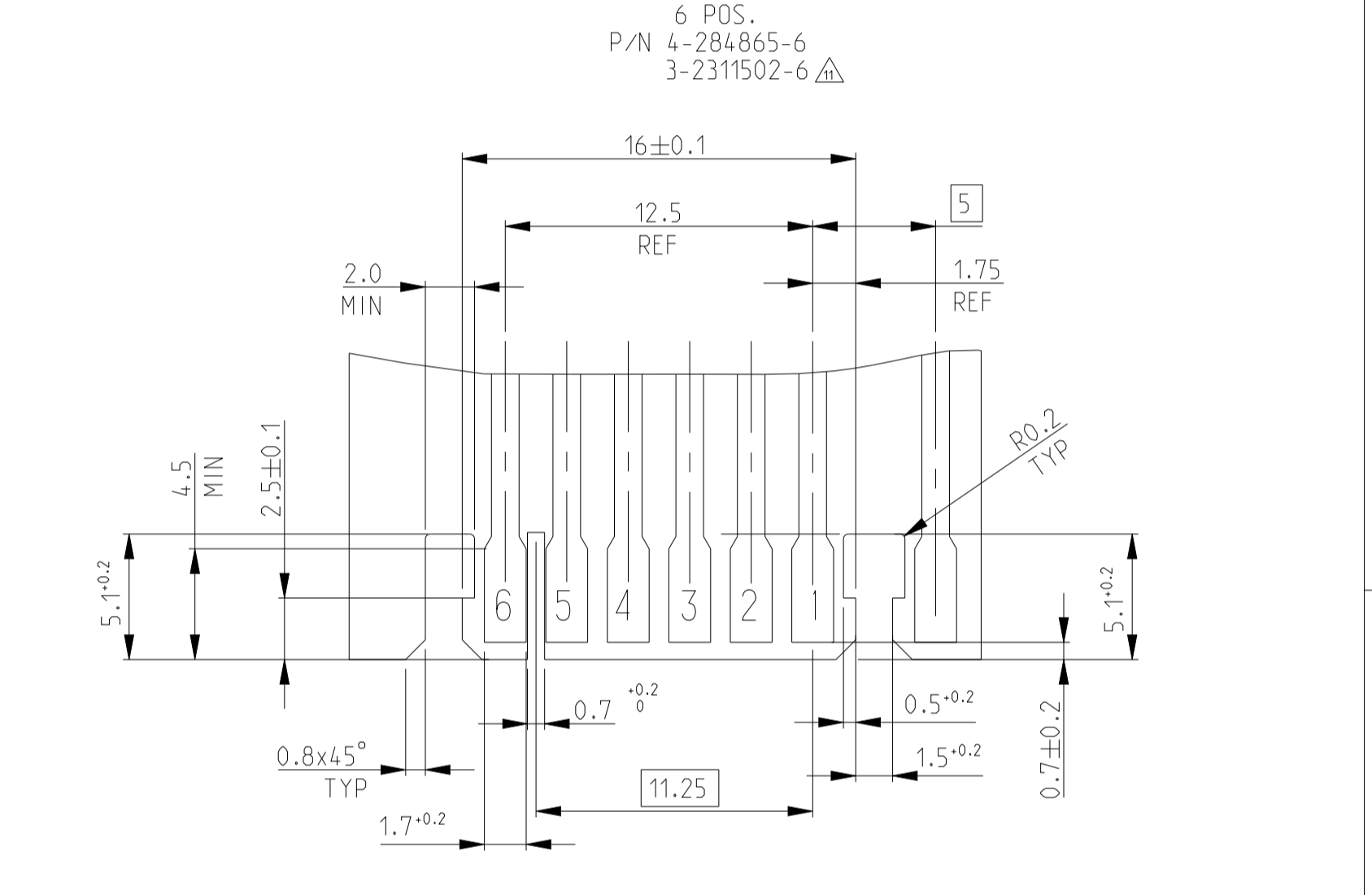
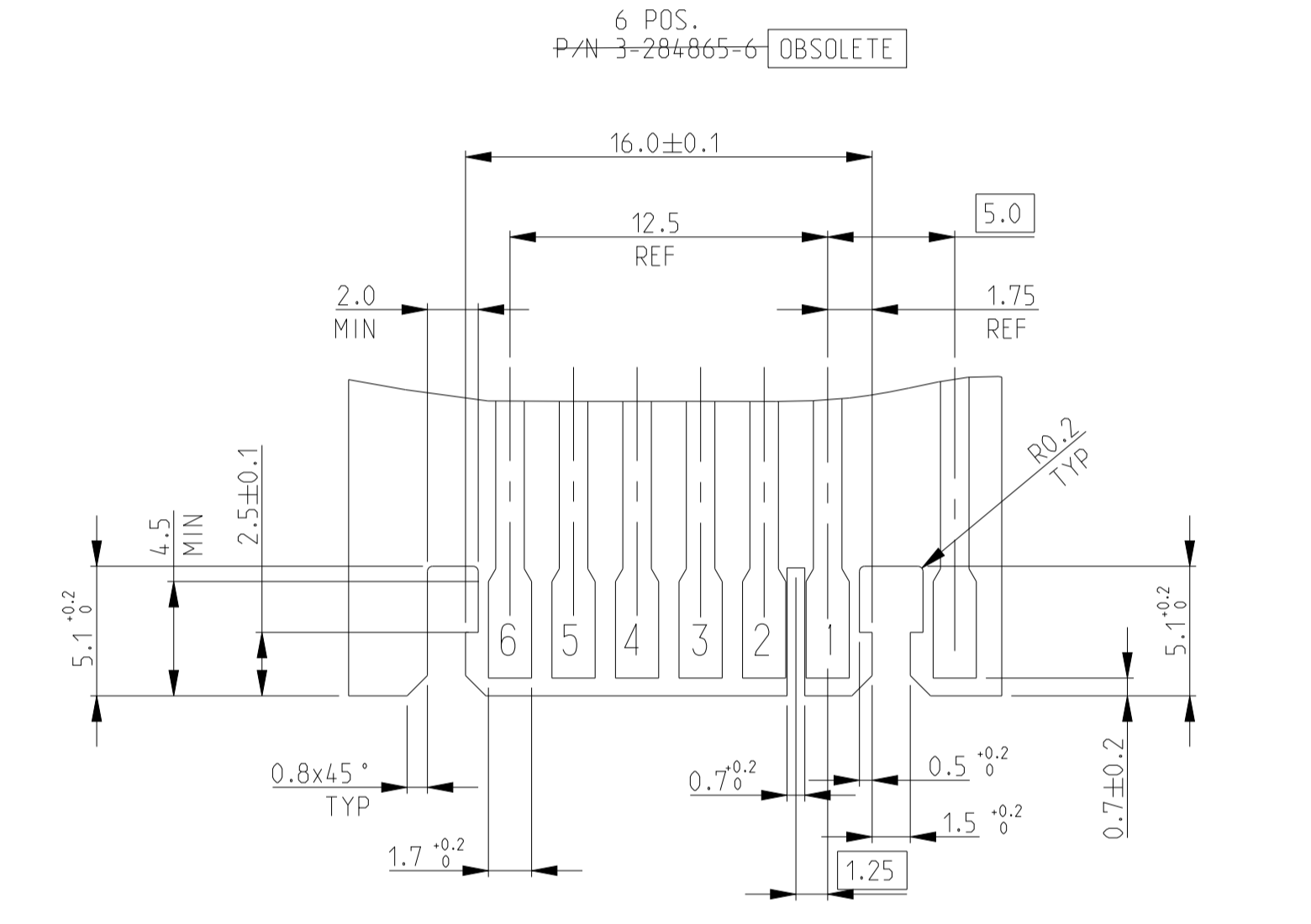
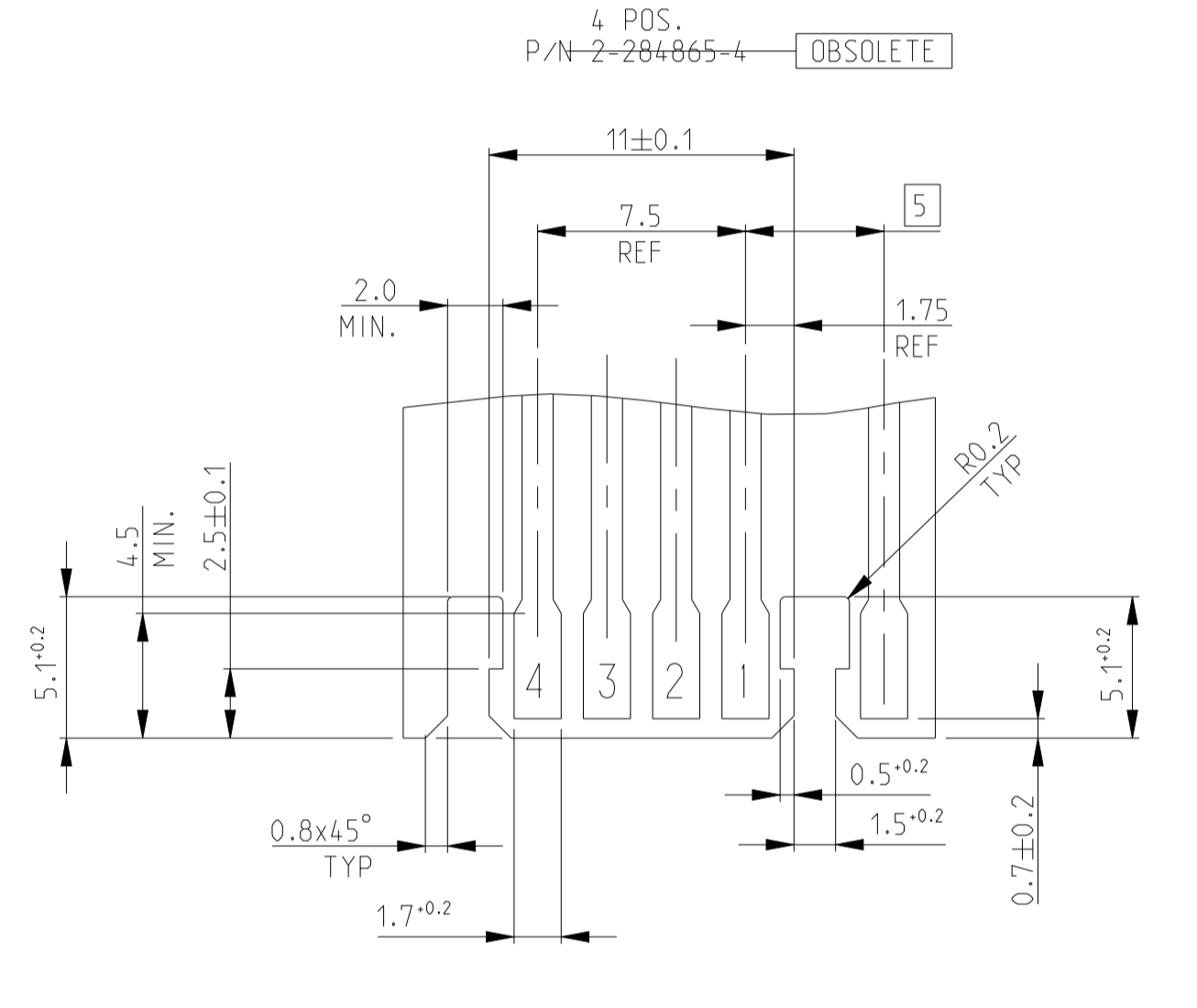
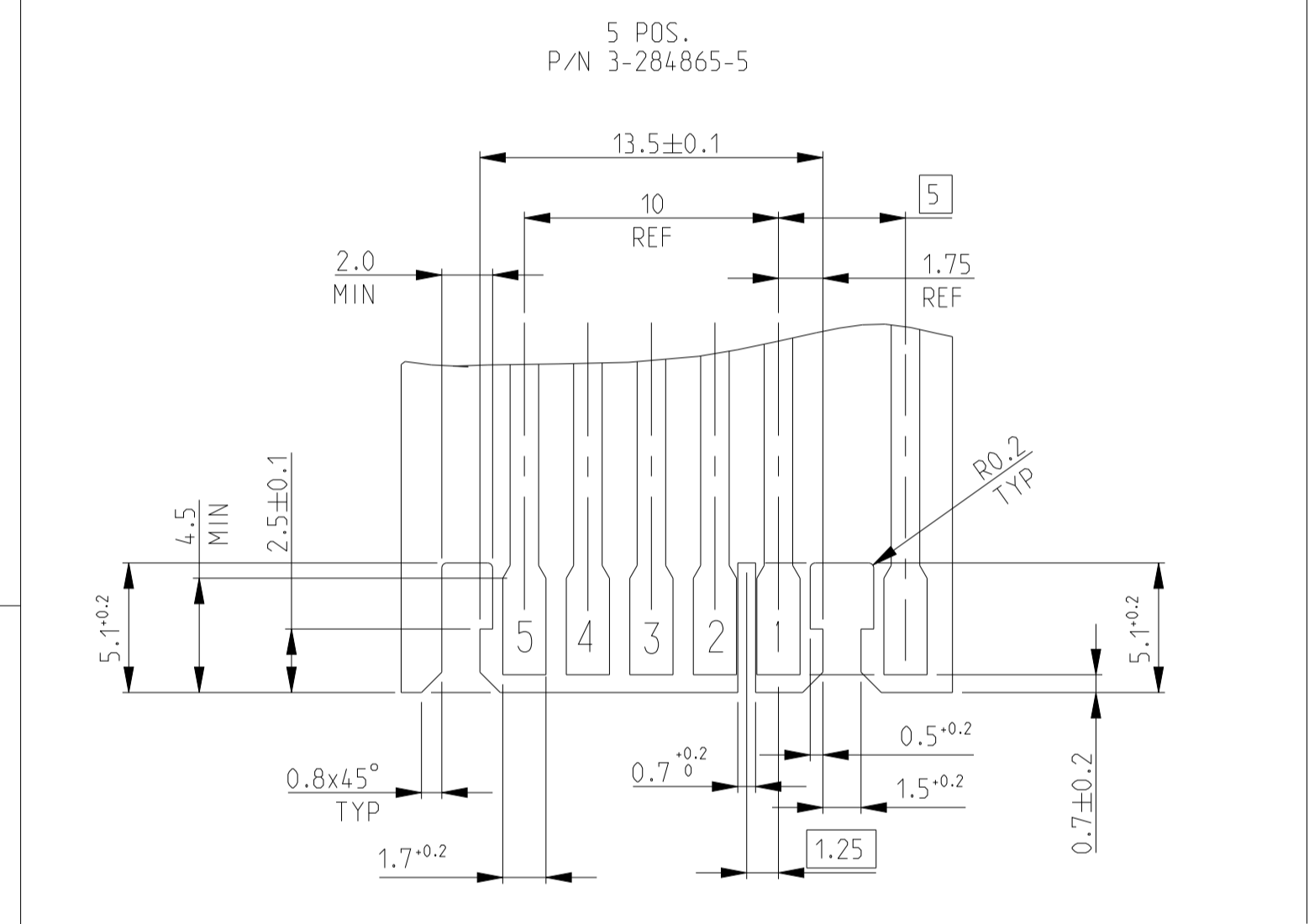
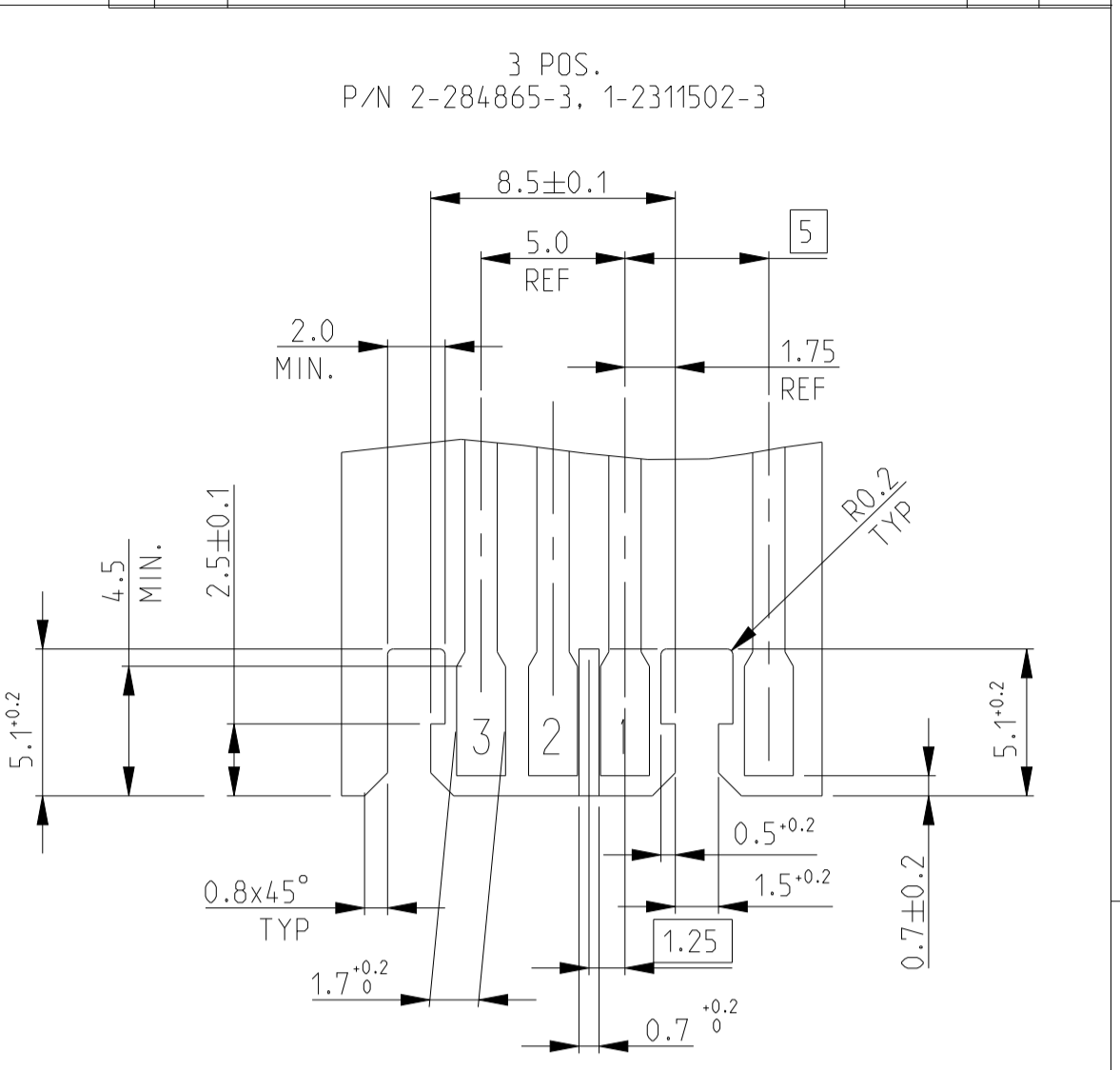
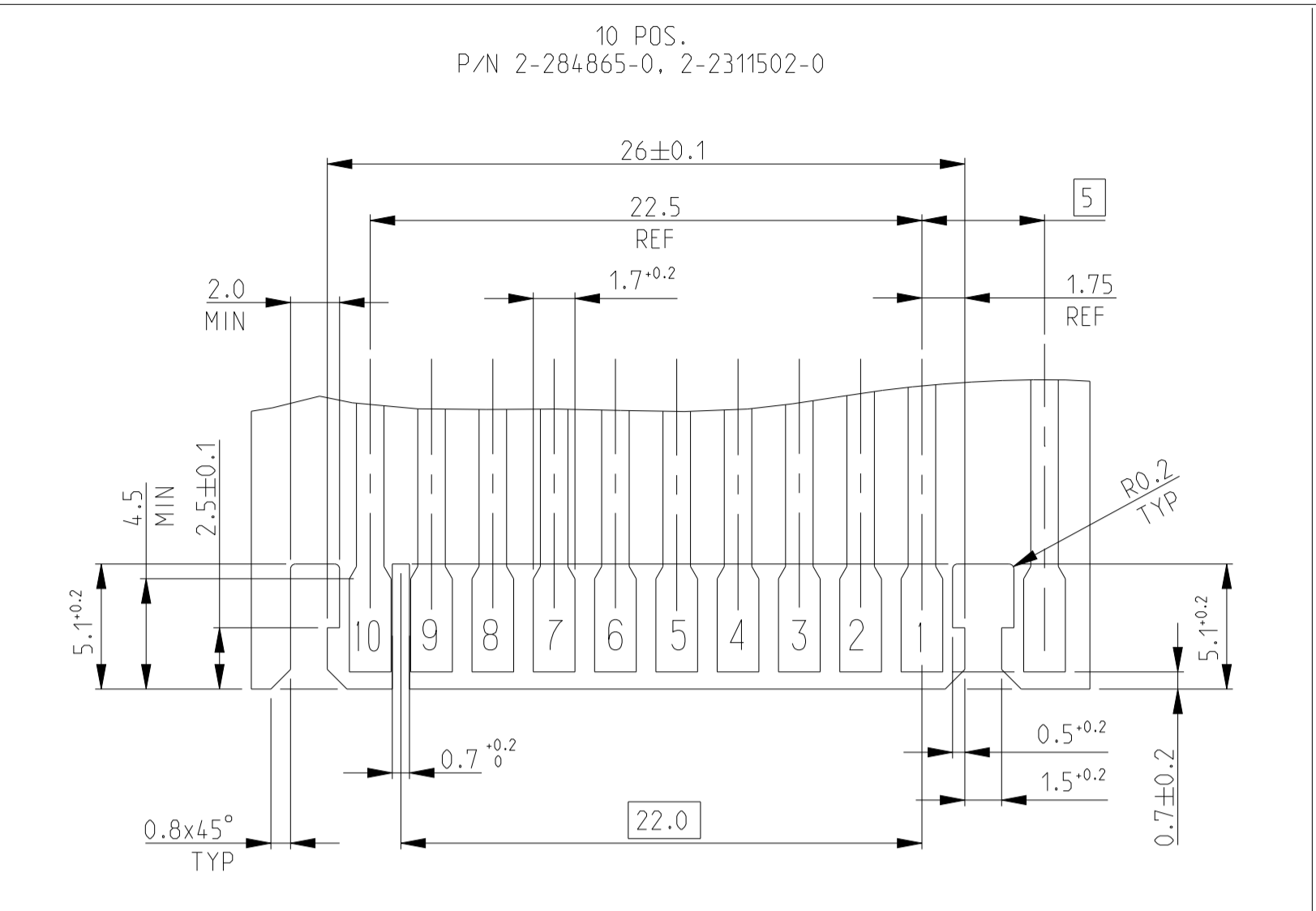
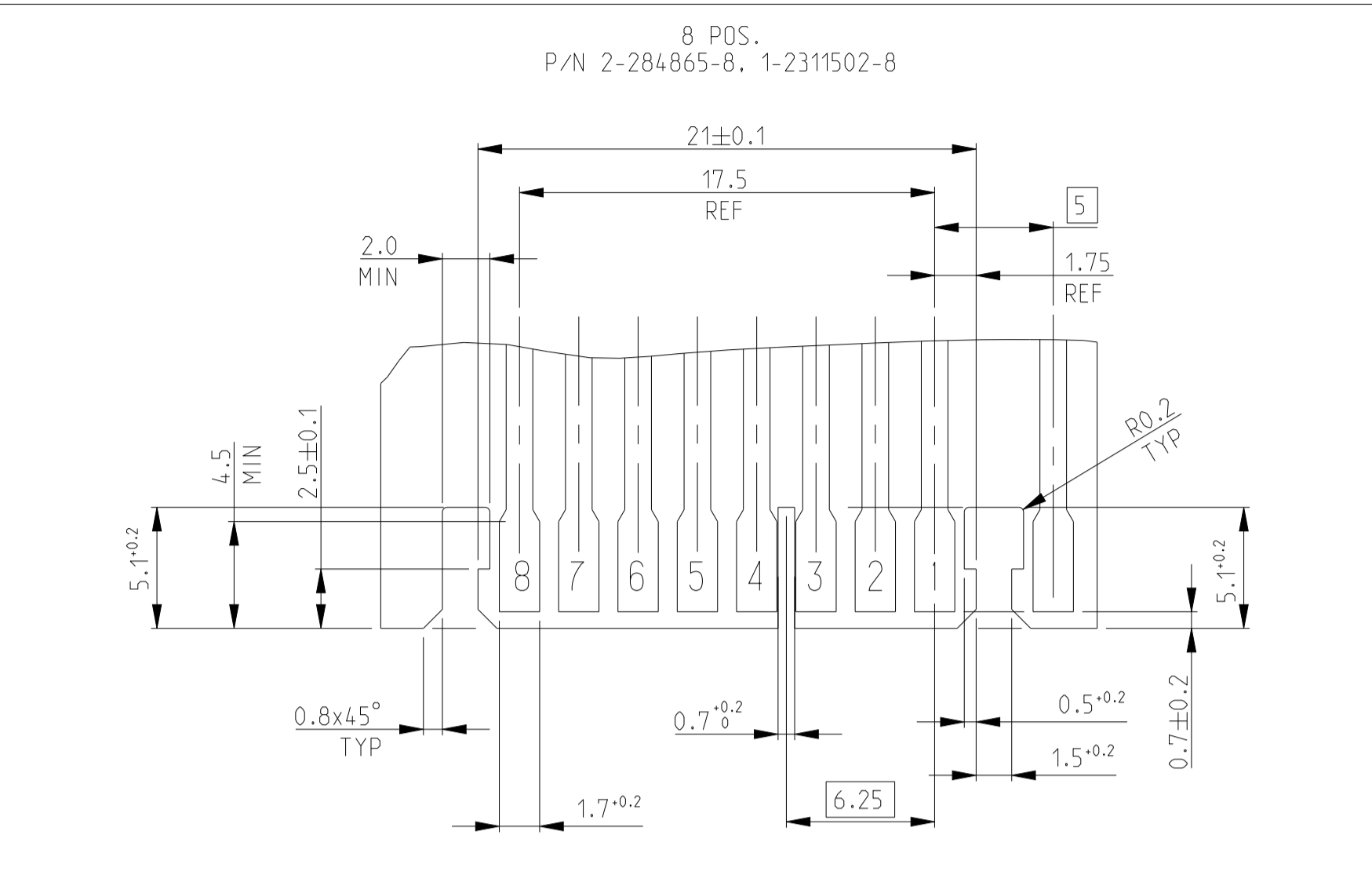
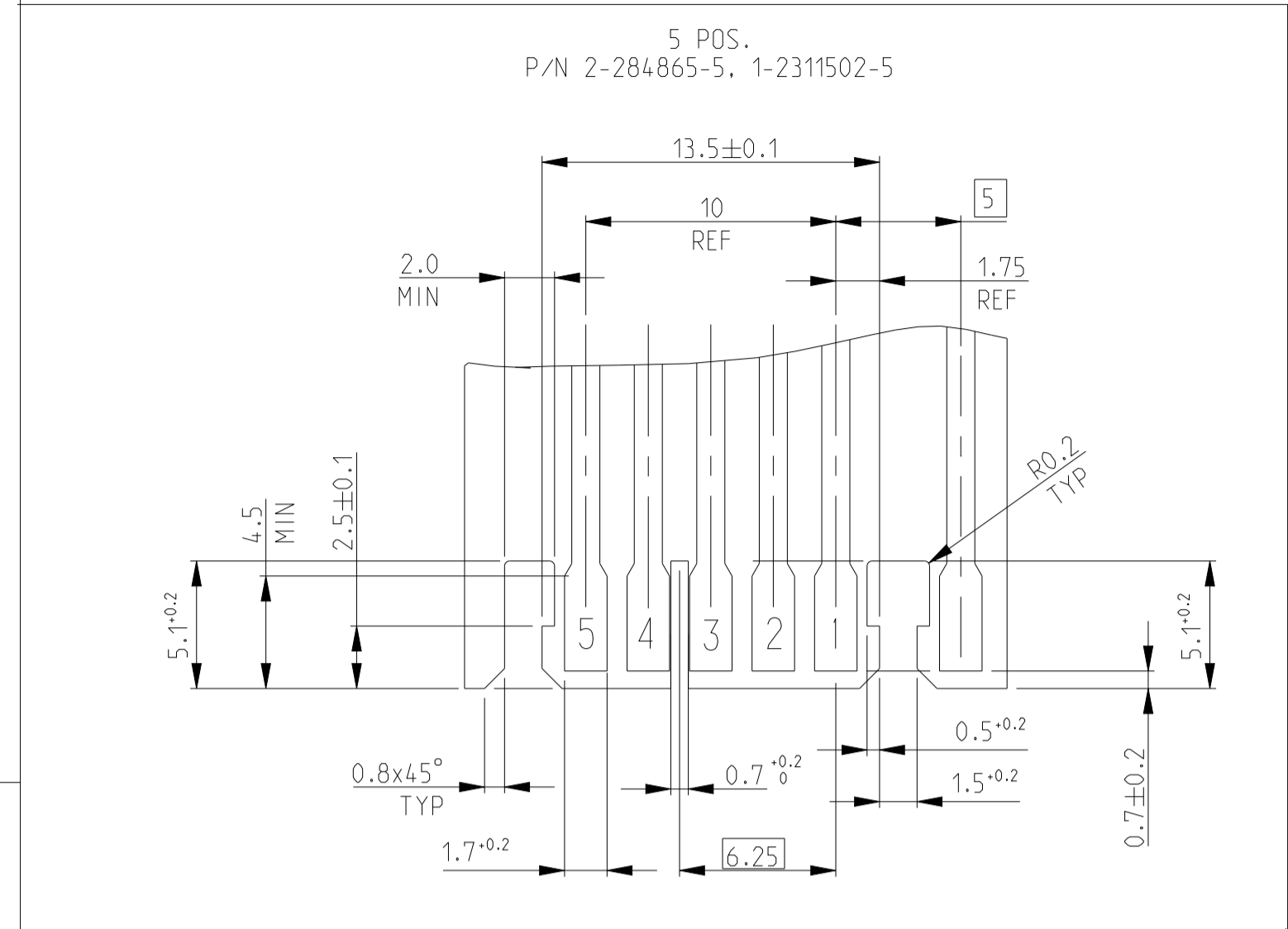
APVD	ES TURCO	NAME	DUOPLUG 2.5 FEMALE CONN., SIDE LOCKING KEYED (FULLY LOADED)
PRODUCT SPEC	108-20238	SIZE	CAGE CODE DRAWING NO
APPLICATION SPEC	116-18049-1	RESTRICTED TO	
WEIGHT		A1	00779 ©=284865
Customer Drawing	SCALE 10:1	SHEET 2 OF 4	REV C 2

STE TE Connectivity

LOC		DIST		REVISIONS			
P	LTN	DESCRIPTION	DATE	OWN	APPV		
-	-	SEE SHEET 1	-	-	-		

PCB LAYOUT -Soldering side-

(SCALE 4:1)

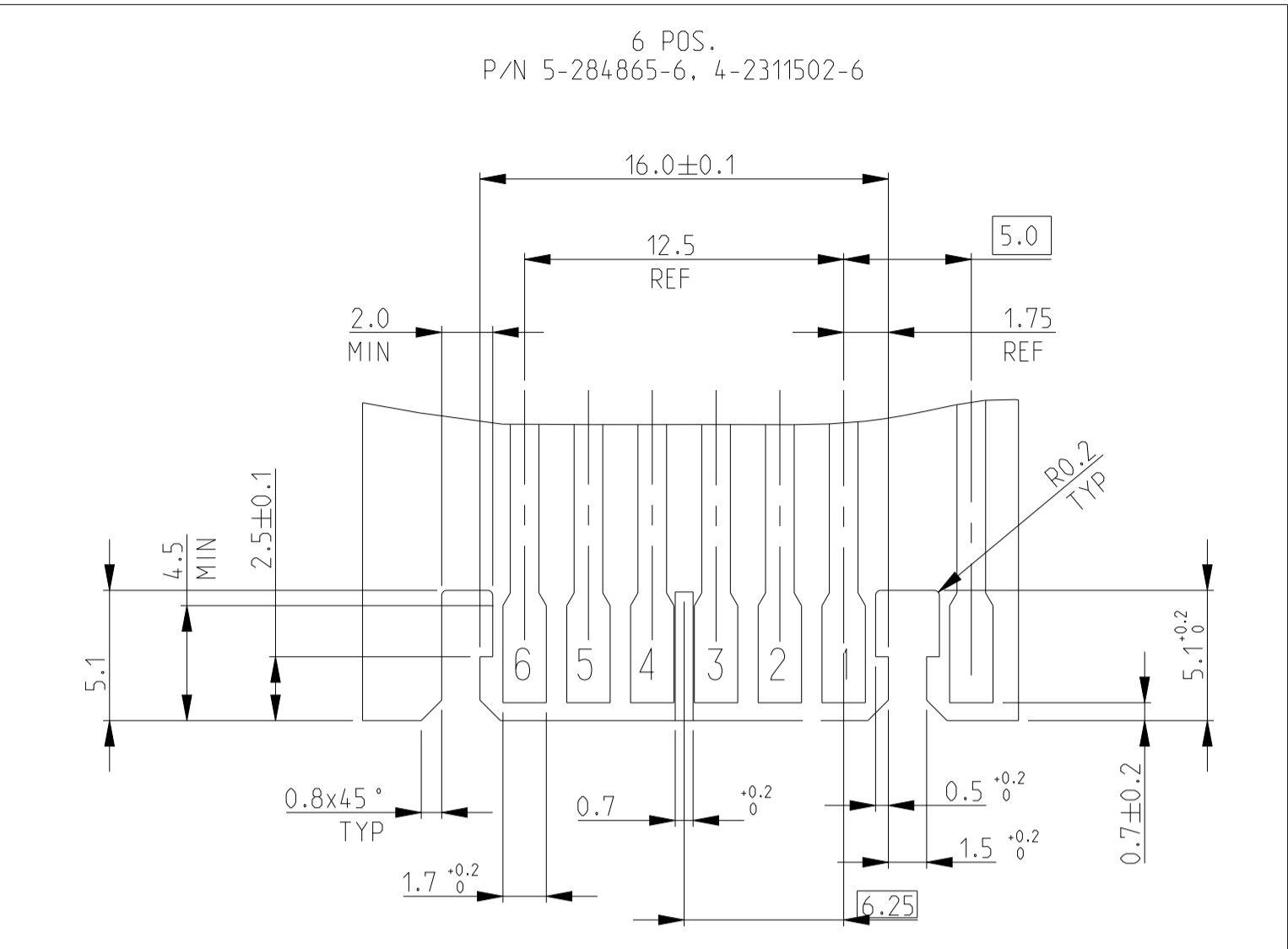


THIS DRAWING IS A CONTROLLED DOCUMENT.		OWN R. FABRIS	03JUL2002	TE Connectivity	
DIMENSIONS: mm		CHK -	APV -		
TOLERANCES UNLESS OTHERWISE SPECIFIED:		0 PLC # # # # 1 PLC # # # # 2 PLC # # # # 3 PLC # # # # 4 PLC # # # # ANGLES # # # # °		DUOPLUG 2.5 FEMALE CONN., SIDE LOCKING KEYED (FULLY LOADED)	RESTRICTED TO
MATERIAL SEE TABLE		FINISH SEE TABLE		SIZE CAGE CODE DRAWING NO A1 00779 C=284865	SHEET 3 OF 4 REV C 2
		WEIGHT -		Customer Drawing	SCALE 10:1

PCB LAYOUT -Soldering side-

(SCALE 4:1)

LOC		DIST		REVISIONS			
				DESCRIPTION	DATE	DWN	APVD
-	-	-	-	SEE SHEET 1	-	-	-



THIS DRAWING IS A CONTROLLED DOCUMENT.		DWN R. FABRIS	03JUL2002	<p>TE Connectivity</p>	
DIMENSIONS: mm		CHK -	APVD S. TURCO		NAME DUOPLUG 2.5 FEMALE CONN., SIDE LOCKING KEYED (FULLY LOADED)
		TOLERANCES UNLESS OTHERWISE SPECIFIED:	PRODUCT SPEC 108-20238		APPLICATION SPEC
MATERIAL: SEE TABLE		0 PLC ± 1 PLC ± 2 PLC ± 3 PLC ± 4 PLC ±	116-18049-1	SIZE A1	CAGE CODE 00779
FINISH: SEE TABLE		ANGLES ±°	WEIGHT -	DRAWING NO C=284865	RESTRICTED TO -
Customer Drawing			SCALE 10:1	SHEET 4 OF 4	REV. 2