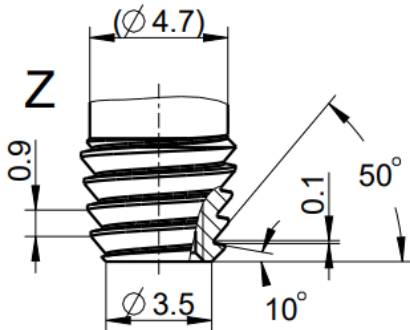
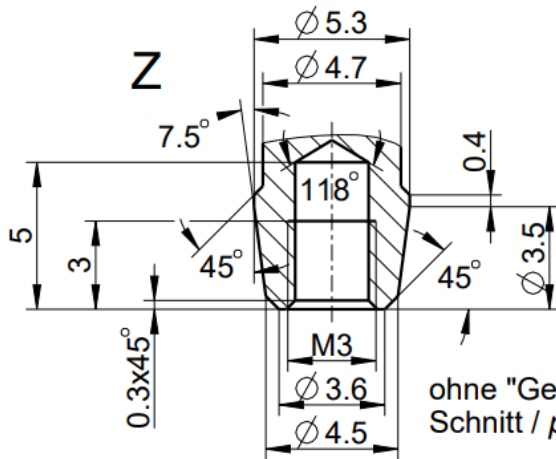


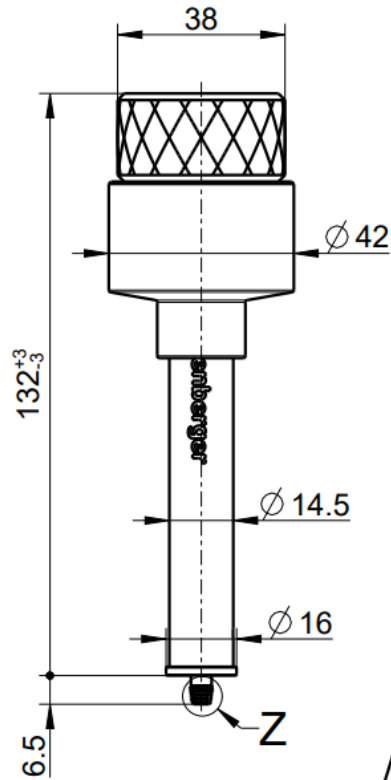
Gewindegrund Ende
thread base end



Gewindegrund Anfang / thread base start,
gestreht mit / threaded with 7.5°



ohne "Gewinde" / without "thread"
Schnitt / profile cut



All dimensions are in mm; tolerances according to ISO 2768 m-H

Application

Series

for EBC press-in connector

While the information has been carefully compiled to the best of our knowledge, nothing is intended as representation or warranty on our part and no statement herein shall be construed as recommendation to infringe existing patents. In the effort to improve our products, we reserve the right to make changes judged to be necessary.

For the installation of the electrotechnical equipment, particular electrotechnical expertise is required.



| | | | | | | | |
|----------------|----------|-----------|----------|------|---------------------------|-----------|----------|
| Draft | Date | Approved | Date | Rev. | Engineering change number | Name | Date |
| C. Schmidinger | 30.04.19 | B. Aicher | 31.01.23 | b00 | 23-0198 | S. Schier | 30.01.23 |

Rosenberger Hochfrequenztechnik GmbH & Co. KG
P.O.Box 1260 D-84526 Tittmoning Germany
www.rosenberger.com

Tel. : +49 8684 18-0
Email : info@rosenberger.com

Page
1 / 1