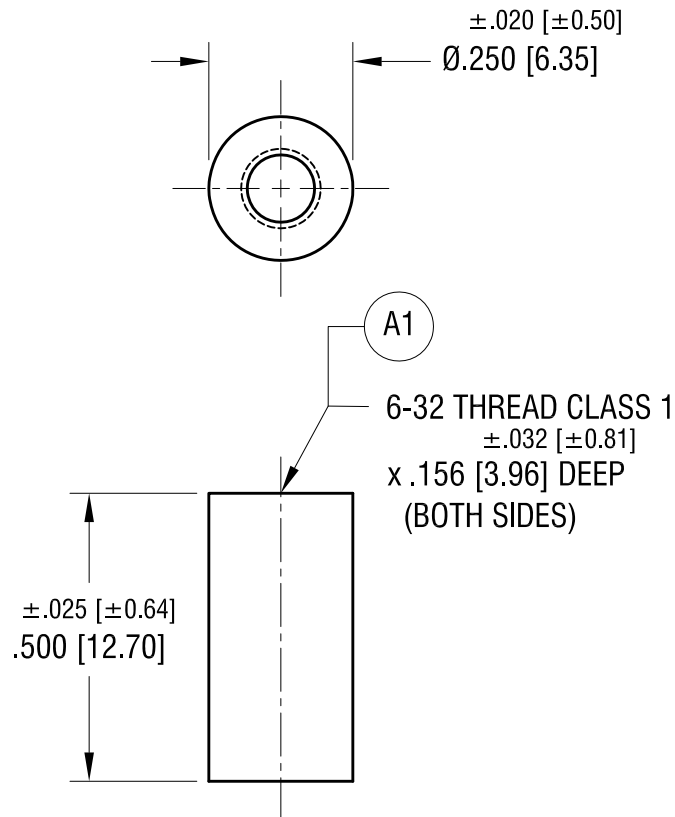
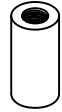


THIS DOCUMENT IS THE PROPERTY OF
KEYSTONE ELECTRONICS CORP. AND
SHALL NOT BE REPRODUCED, DISTRIBUTED
OR USED AS A BASIS FOR MANUFACTURE
WITHOUT PRIOR WRITTEN PERMISSION
FROM KEYSTONE ELECTRONICS CORP.

ACTUAL SIZE



KEYSTONE ELECTRONICS CORP.

www.keyelco.com • NEW HYDE PARK NY 11040 • Tel (516)328-7500

PART NAME				CERAMIC STANDOFF			
MATERIAL				GRADE L5 CERAMIC			
FINISH		DRN BY		DATE		APP'D	
GLAZED		BOONE		11.22.96		RH	
TOLERANCES		INCH [MM]		CODE		DWG NO.	
DECIMAL		± .005 [± 0.13]		C		7711	
ANGULAR		± 1°		UNLESS OTHERWISE SPECIFIED			

3.30.22	A1 WAS .156 ±.015 DEEP CHANGE AS PER ECN 22-062	A
DATE	DESCRIPTION	REV.