

6

5

4

3

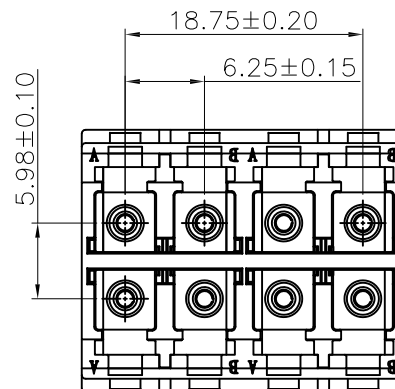
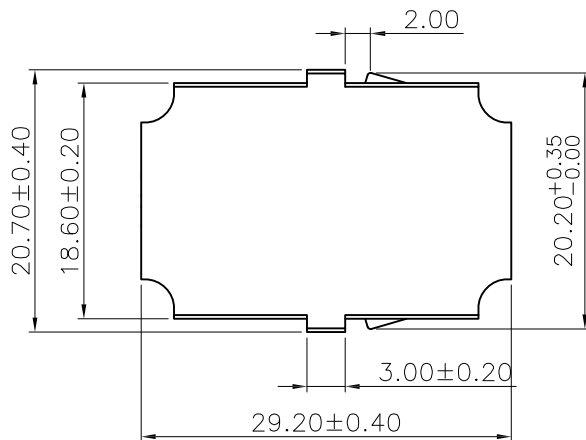
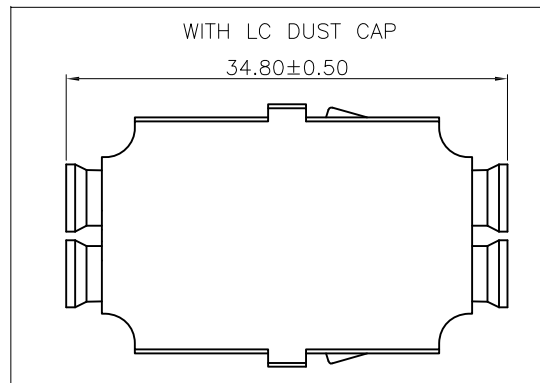
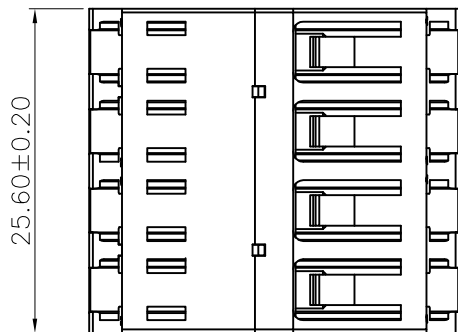
2

1

APPROVED: \_\_\_\_\_

DATE: \_\_\_\_\_ TITLE: \_\_\_\_\_

|     |       |             |        |      |
|-----|-------|-------------|--------|------|
| Rev | AWO # | Description | Date   | Appr |
| -   |       | RELEASED    | 9/9/20 |      |



**SPECIFICATIONS:**

Material:  
Housing: PBT, rated UL 94V-0, Color: Blue  
Cap: PP, rated UL 94V-0, Color: White  
Electrical:  
Standards of IEC 61754-20, YD/T 1272.1-2003  
Repeatability: 500 min Cycles  
Insertion loss: 0.2dB max  
Interchangeability: 0.2dB  
Temperature Rating:  
Operating temperature: -40°C to +85°C  
Environmental:  
Lead free, RoHS compliant.



|   |              |        |
|---|--------------|--------|
| UNLESS OTHERWISE SPECIFIED<br>ALL DIMENSIONS ARE MILLIMETERS<br>TOLERANCES: EXCEPT AS NOTED |              |        |
| MM  | ANGLE        |        |
| X. ± 0.35   | X.* ± 2°     |        |
| .X ± 0.30   | .X* ± 1°     |        |
| .XX ± 0.25  | .XX* ± 0.5°  |        |
| .XXX ± 0.15   | .XXX* ± 0.5° |        |
| APPROVALS   |              | DATE   |
| DRAWN   | LH           | 9/9/20 |
| CHECKED   | JL           | 9/9/20 |
| APPROVED  |              |        |

**ADAM TECH INTERCONNECTS** 909 Rahway Avenue,  
Union, NJ 07083  
Phone: 908-687-5000  
Fax: 908-687-5710

TITLE OPTICAL LC ADAPTERS, PC, DUAL ROW,  
2\*4 PORTS, SHORT EARS, WITH LC DUST CAP

|              |                           |              |
|--------------|---------------------------|--------------|
| SIZE<br>X    | PART NO.<br>OPLB8SBNNC1NA | REV.<br>-    |
| REF: S00005C | SCALE: NTS                | SHEET 1 OF 1 |

6

5

4

3

2

1