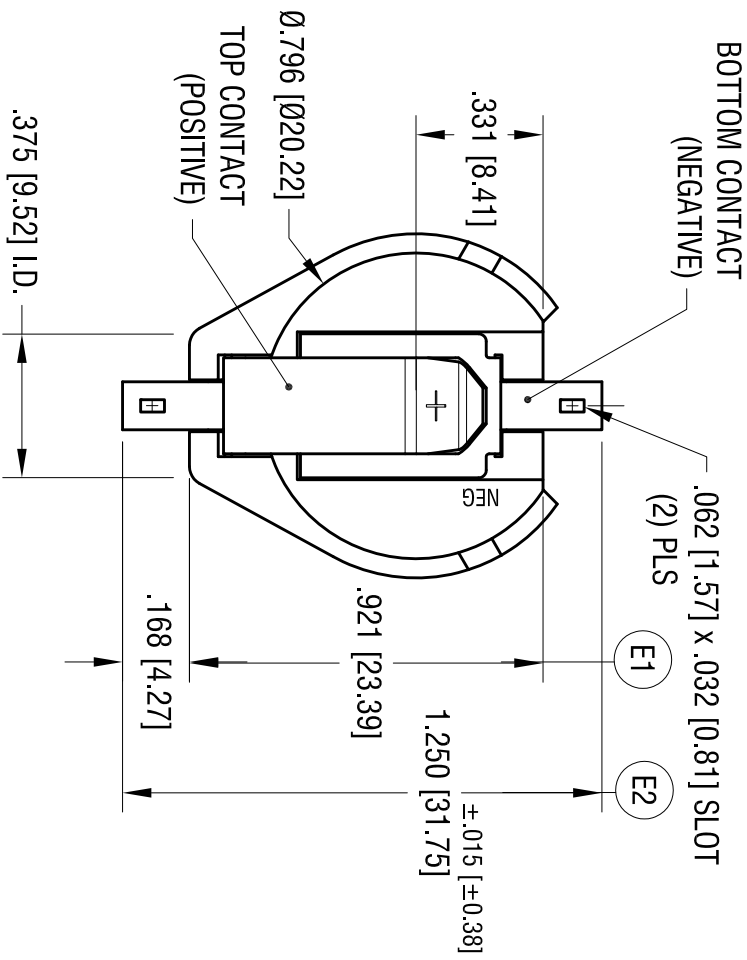
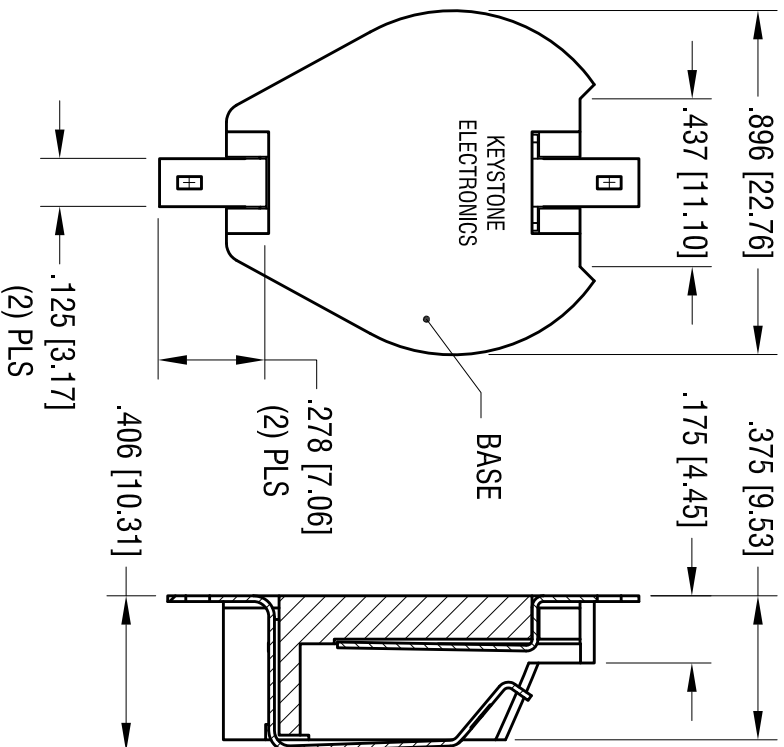
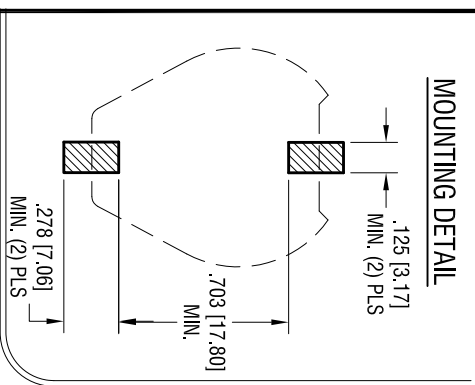


**MOUNTING DETAIL**

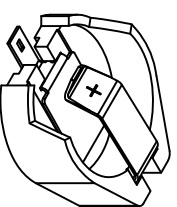


DATE	DESCRIPTION	REV.
9.17.04	CHANGE AS PER ECN 04-107	B
11.04.11	CHANGE AS PER ECN 11-149	C
3.20.19	CHANGE AS PER ECN19-038	D
1.10.22	ECN 22-010, (E1) WAS .931 (E2) WAS 1.250±.010	E

**NOTES:**

1. BASE:  
MATERIAL - HIGH TEMPERATURE NYLON (UL 94V-0)  
COLOR BLACK
2. CONTACTS (TOP AND BOTTOM):  
MATERIAL - .015 [0.38] THK SPRING STEEL  
FINISH: TIN NICKEL PLATE

ACTUAL SIZE



THIS DOCUMENT IS THE PROPERTY OF KEYSTONE ELECTRONICS CORP. AND SHALL NOT BE REPRODUCED, DISTRIBUTED OR USED AS A BASIS FOR MANUFACTURE WITHOUT PRIOR WRITTEN PERMISSION FROM KEYSTONE ELECTRONICS CORP.

<b>KEYSTONE ELECTRONICS CORP.</b>			
www.keystelco.com • NEW HYDE PARK, NY 11040 • Tel (516) 328-7500			
PART NAME DUAL 20mm BATTERY HOLDER, SMT			
MATERIAL AS NOTED			
FINISH	AS NOTED		DRN BY BOONE
TOLERANCES	INCH	[MM]	DATE 8.09.95
DECIMAL	± .010	[± 0.25]	App'D RH
ANGULAR	± 1°		SCALE 2X
	CODE C	DWG NO. 1064	