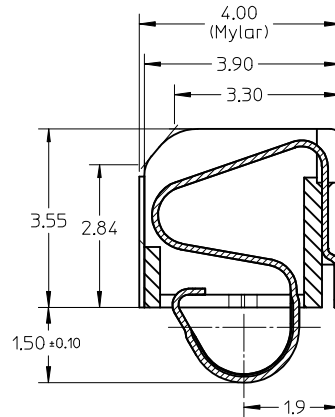
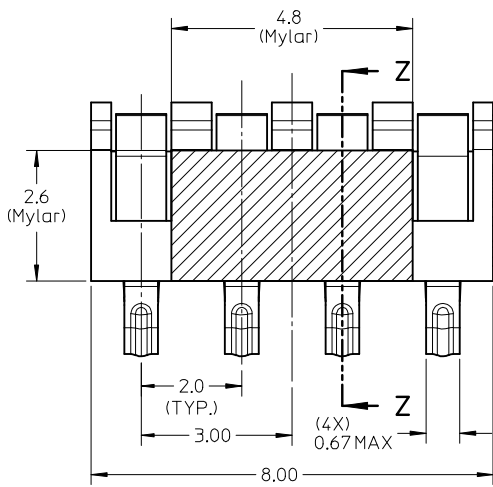
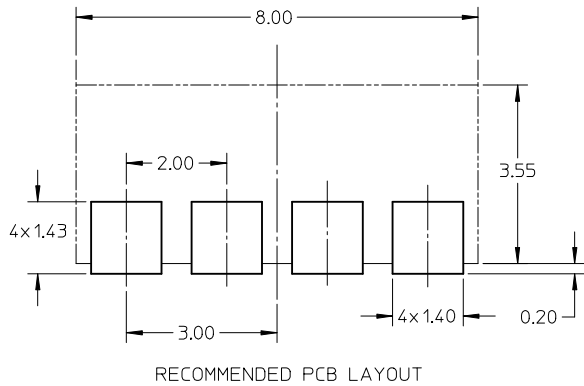
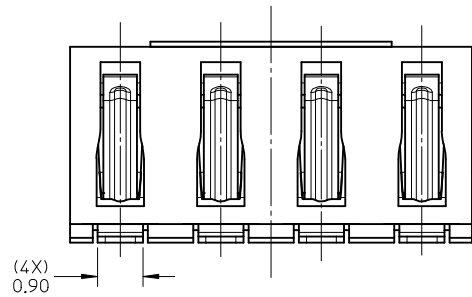
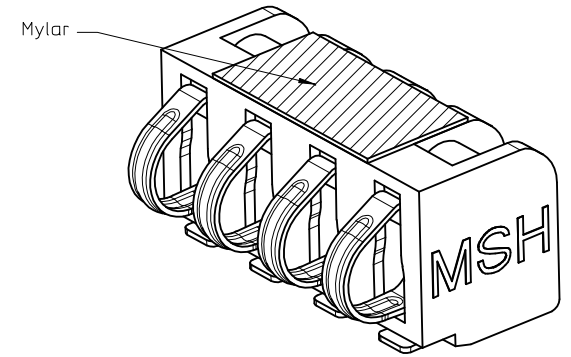


10 9 8 7 6 5 4 3 2 1



SECTION Z-Z



NOTE:

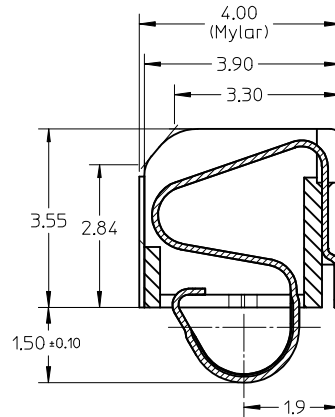
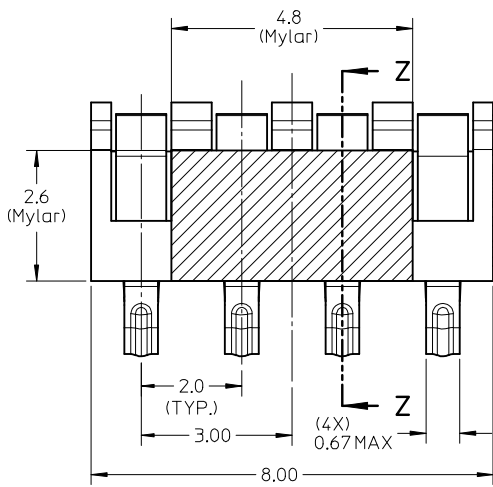
- MATERIAL:  
HOUSING: LCP, 30% GLASS-FILLED, UL 94V-0, COLOR IS BLACK  
TERMINAL: COPPER ALLOY, 0.12 MM BeCu
- FINISH:  
CONTACT AREA: 30-50 MICRO INCHES GOLD PLATING OVER 50-140 MICRO INCHES NICKEL  
SOLDER AREA: 3 MICRO MIN GOLD FLASH OVER 50-140 MICRO INCHES NICKEL  
REST AREA: 50-140 MICRO INCHES NICKEL
- RECOMMENED WORKING RANGE 1.05 ~ 0.55 MM.
- COPLANARITY: 0.1 MAX AMONG THESE SOLDER TAILS.
- PRODUCT SPECIFICATION: PS-47531-001

|                                                                                                                               |                                       |                    |                                                                     |
|-------------------------------------------------------------------------------------------------------------------------------|---------------------------------------|--------------------|---------------------------------------------------------------------|
| 475310011                                                                                                                     | 4 PIN BATTERY CONNECTOR WITHOUT MYLAR |                    |                                                                     |
| 475310001                                                                                                                     | 4 PIN BATTERY CONNECTOR WITH MYLAR    |                    |                                                                     |
| PART NUMBER                                                                                                                   |                                       | DESCRIPTION        |                                                                     |
| DIMENSION STYLE<br>MM ONLY                                                                                                    |                                       | SCALE<br>10:1      | DESIGN UNITS<br>METRIC                                              |
| DRAWN BY<br>YLZHU02                                                                                                           |                                       | DATE<br>2007/01/30 | TITLE<br>ASSEMBLY DRAWING<br>4 PIN BATTERY CONNECTOR<br>2.0MM PITCH |
| CHECKED BY<br>XIXU                                                                                                            |                                       | DATE<br>2007/01/31 | MOLEX INCORPORATED                                                  |
| APPROVED BY<br>JNCHEN                                                                                                         |                                       | DATE<br>2007/01/31 |                                                                     |
| MATERIAL NO.                                                                                                                  |                                       | DOCUMENT NO.       | SHEET NO.                                                           |
| SEE TABLE                                                                                                                     |                                       | SD-47531-001       | 1 OF 1                                                              |
| THIS DRAWING CONTAINS INFORMATION THAT IS PROPRIETARY TO MOLEX INCORPORATED AND SHOULD NOT BE USED WITHOUT WRITTEN PERMISSION |                                       |                    |                                                                     |

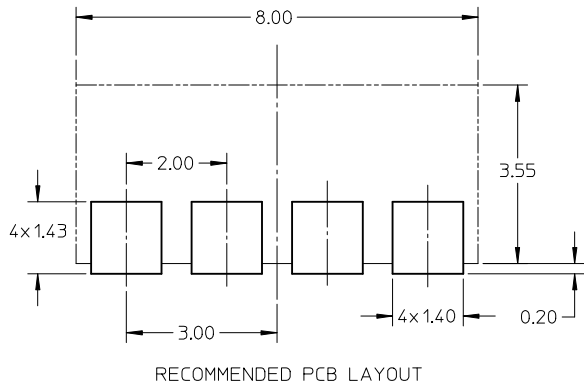
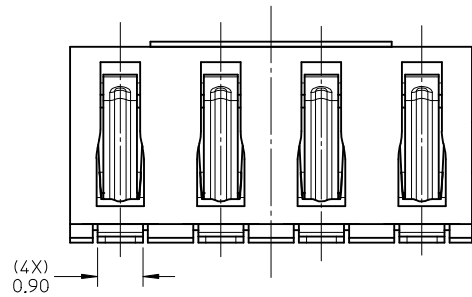
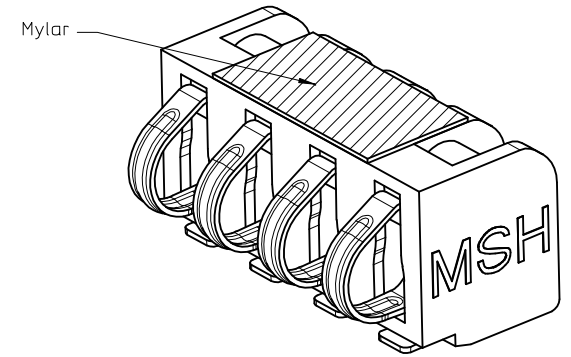
|                                                                                                                      |                                                      |                                       |                      |
|----------------------------------------------------------------------------------------------------------------------|------------------------------------------------------|---------------------------------------|----------------------|
| NEW PRODUCT<br>EC NO: SH2007-0529<br>DRWN: YLZHU02 2007/02/06<br>CHKD: XUXIANG 2007/02/06<br>APPR: JNCHEN 2007/02/15 | QUALITY SYMBOLS                                      | GENERAL TOLERANCES (UNLESS SPECIFIED) |                      |
|                                                                                                                      | ▽=0                                                  | mm                                    | INCH                 |
|                                                                                                                      | ∇=0                                                  | 4 PLACES ± --- ± ---                  | 3 PLACES ± --- ± --- |
|                                                                                                                      |                                                      | 2 PLACES ± 0.15 ± ---                 | 1 PLACE ± 0.25 ± --- |
|                                                                                                                      |                                                      | ANGULAR ± 5 °                         |                      |
|                                                                                                                      | DRAFT WHERE APPLICABLE MUST REMAIN WITHIN DIMENSIONS |                                       |                      |

9 8 7 6 5 4 3 2 1

10 9 8 7 6 5 4 3 2 1



SECTION Z-Z



NOTE:

- MATERIAL:  
HOUSING: LCP, 30% GLASS-FILLED, UL 94V-0, COLOR IS BLACK  
TERMINAL: COPPER ALLOY, 0.12 MM BeCu
- FINISH:  
CONTACT AREA: 30-50 MICRO INCHES GOLD PLATING OVER 50-140 MICRO INCHES NICKEL  
SOLDER AREA: 3 MICRO MIN GOLD FLASH OVER 50-140 MICRO INCHES NICKEL  
REST AREA: 50-140 MICRO INCHES NICKEL
- RECOMMENED WORKING RANGE 1.05 ~ 0.55 MM.
- COPLANARITY: 0.1 MAX AMONG THESE SOLDER TAILS.
- PRODUCT SPECIFICATION: PS-47531-001

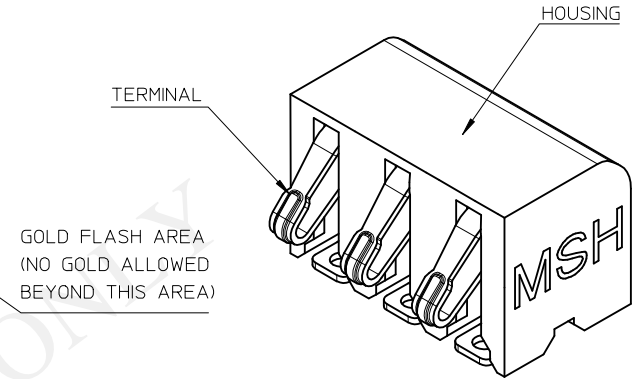
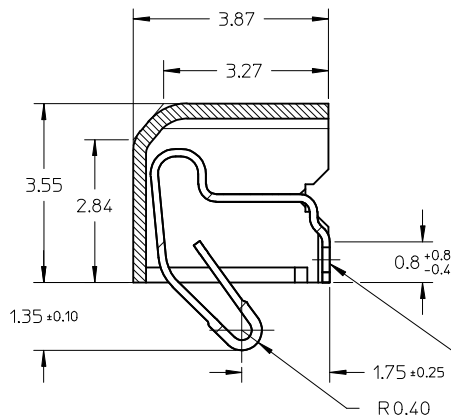
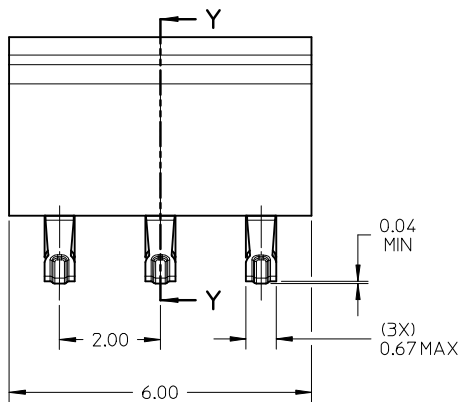
|                 |                                       |              |                        |
|-----------------|---------------------------------------|--------------|------------------------|
| 475310011       | 4 PIN BATTERY CONNECTOR WITHOUT MYLAR |              |                        |
| 475310001       | 4 PIN BATTERY CONNECTOR WITH MYLAR    |              |                        |
| PART NUMBER     | DESCRIPTION                           |              |                        |
| DIMENSION STYLE | SCALE                                 | DESIGN UNITS | THIRD ANGLE PROJECTION |
| MM ONLY         | 10:1                                  | METRIC       |                        |

|             |                    |               |            |               |            |               |            |
|-------------|--------------------|---------------|------------|---------------|------------|---------------|------------|
| NEW PRODUCT | EC NO: SH2007-0529 | DRWN: YLZHU02 | 2007/02/06 | CHKD: XUXIANG | 2007/02/06 | APPR: JINCHEN | 2007/02/15 |
| REV         | DESCRIPTION        |               |            |               |            |               |            |
| A           |                    |               |            |               |            |               |            |

|                 |                                                      |                      |
|-----------------|------------------------------------------------------|----------------------|
| QUALITY SYMBOLS | ▼=0                                                  | ▽=0                  |
|                 | 4 PLACES ± --- ± ---                                 | 3 PLACES ± --- ± --- |
|                 | 2 PLACES ± 0.15 ± ---                                | 1 PLACE ± 0.25 ± --- |
|                 | ANGULAR ± 5 °                                        |                      |
|                 | DRAFT WHERE APPLICABLE MUST REMAIN WITHIN DIMENSIONS |                      |

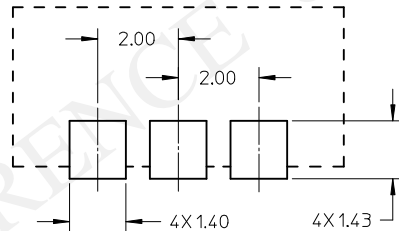
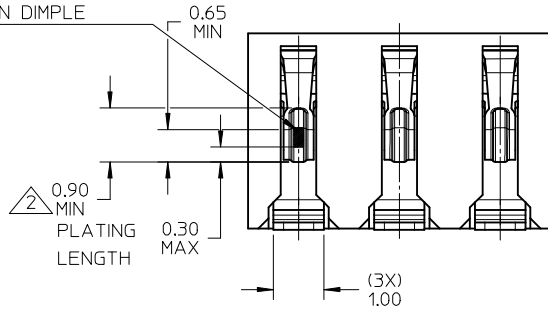
|                                                                                                                               |              |                         |
|-------------------------------------------------------------------------------------------------------------------------------|--------------|-------------------------|
| DRAWN BY                                                                                                                      | DATE         | TITLE                   |
| YLZHU02                                                                                                                       | 2007/01/30   | ASSEMBLY DRAWING        |
| CHECKED BY                                                                                                                    | DATE         | 4 PIN BATTERY CONNECTOR |
| XIXU                                                                                                                          | 2007/01/31   | 2.0MM PITCH             |
| APPROVED BY                                                                                                                   | DATE         | MOLEX INCORPORATED      |
| JNCHEN                                                                                                                        | 2007/01/31   |                         |
| MATERIAL NO.                                                                                                                  | DOCUMENT NO. | SHEET NO.               |
| SEE TABLE                                                                                                                     | SD-47531-001 | 1 OF 1                  |
| THIS DRAWING CONTAINS INFORMATION THAT IS PROPRIETARY TO MOLEX INCORPORATED AND SHOULD NOT BE USED WITHOUT WRITTEN PERMISSION |              |                         |

9 8 7 6 5 4 3 2 1



SECTION Y-Y

CONTACT AREA ON DIMPLE



NOTES :

1. MATERIAL :

HOUSING: LCP, 30% GLASS FILLED, UL94V-0, COLOR: BLACK  
 TERMINAL: COPPER ALLOY, 0.15 BECU C17200 290 TM06

2. FINISH :

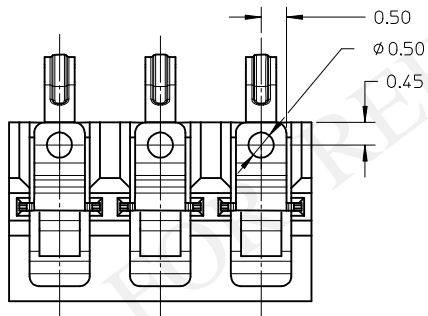
CONTACT AREA ON DIMPLE : 30 MICRO INCHES MIN GOLD PLATING OVER 50 MICRO INCHES MIN NICKEL.

GOLD FLASH ON PLATING LENGTH  
 SOLDER AREA : GOLD FLASH OVER 50 MICRO MIN INCHES NICKEL  
 REST AREA :50 MICRO INCHES MIN NICKEL

3. RECOMMENED WORKING RANGE 1.05~0.55 MM.

4. COPLANARITY : 0.08MAX AMONG THESE SOLDER TAILS.

5. PRODUCT SPECIFICATION : PS-47615-001.



|                                                                                           |                                                  |                                               |         |                            |                    |                                                                                                                               |                           |                        |                              |  |  |
|-------------------------------------------------------------------------------------------|--------------------------------------------------|-----------------------------------------------|---------|----------------------------|--------------------|-------------------------------------------------------------------------------------------------------------------------------|---------------------------|------------------------|------------------------------|--|--|
| PROPOSED<br>EC NO: SH2013-0331<br>DRWN:RL109 2012/02/01<br>CHKD:<br>APPR:RL109 2013/04/10 | QUALITY SYMBOLS<br>$F_A=0$<br>$F_G=0$<br>$F_P=0$ | GENERAL TOLERANCES (UNLESS SPECIFIED)         |         | DIMENSION STYLE<br>MM ONLY |                    | SCALE<br>10:1                                                                                                                 | DESIGN UNITS<br>METRIC    | THIRD ANGLE PROJECTION |                              |  |  |
|                                                                                           |                                                  | 4 PLACES ± --- ± ---                          | mm INCH | DRAWN BY<br>RL109          | DATE<br>2012/02/01 | TITLE<br>3 CKTS BATTERY CONNECTOR                                                                                             |                           |                        |                              |  |  |
|                                                                                           |                                                  | 3 PLACES ± --- ± ---                          |         | CHECKED BY<br>DATE         |                    | APPROVED BY<br>RL109                                                                                                          |                           |                        |                              |  |  |
|                                                                                           |                                                  | 2 PLACES ± 0.25 ± ---<br>1 PLACE ± 0.25 ± --- |         | APPROVED BY<br>RL109       |                    | DATE<br>2013/04/10                                                                                                            | MATERIAL NO.<br>476150020 |                        | DOCUMENT NO.<br>SD-47615-020 |  |  |
| DRAFT WHERE APPLICABLE MUST REMAIN WITHIN DIMENSIONS                                      |                                                  | ANGULAR ± 3 °                                 |         | SIZE<br>A3                 |                    | THIS DRAWING CONTAINS INFORMATION THAT IS PROPRIETARY TO MOLEX INCORPORATED AND SHOULD NOT BE USED WITHOUT WRITTEN PERMISSION |                           |                        |                              |  |  |