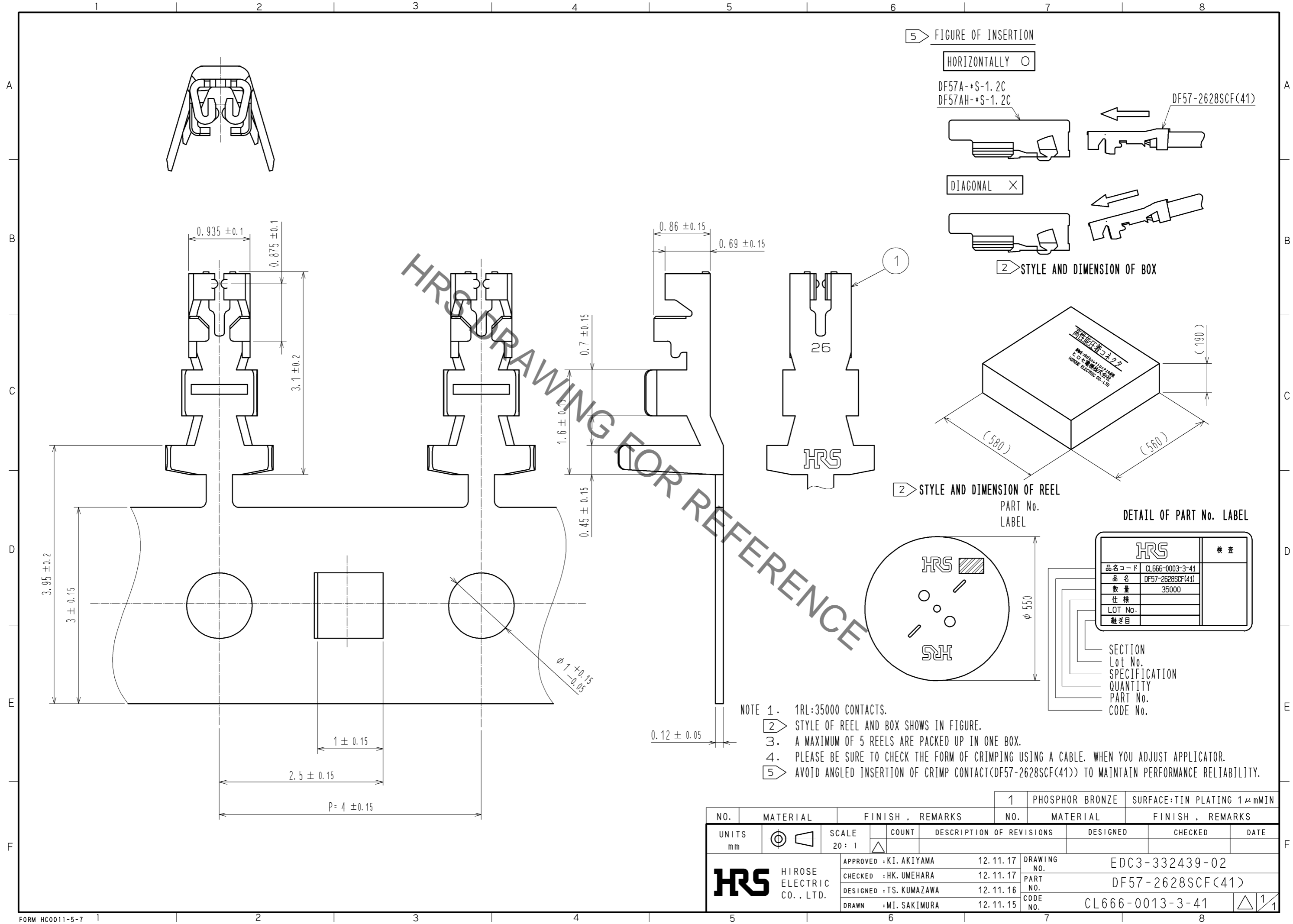


May.1.2023 Copyright 2023 HIROSE ELECTRIC CO., LTD. All Rights Reserved.  
In case of consideration for using Automotive equipment / device which demand high reliability, kindly contact our sales window correspondents.



NO.	MATERIAL	FINISH	REMARKS	NO.	MATERIAL	FINISH	REMARKS		
		1	PHOSPHOR BRONZE				SURFACE:TIN PLATING 1μmMIN		
UNITS	mm	SCALE	20:1	COUNT	△	DESCRIPTION OF REVISIONS	DESIGNED	CHECKED	DATE
<b>HRS</b> HIROSE ELECTRIC CO., LTD.		APPROVED	: KI. AKIYAMA	12.11.17	DRAWING NO.	EDC3-332439-02			
		CHECKED	: HK. UMEHARA	12.11.17	PART NO.	DF57-2628SCF(41)			
		DESIGNED	: TS. KUMAZAWA	12.11.16	CODE NO.	CL666-0013-3-41			
		DRAWN	: MI. SAKIMURA	12.11.15		△ 1/1			