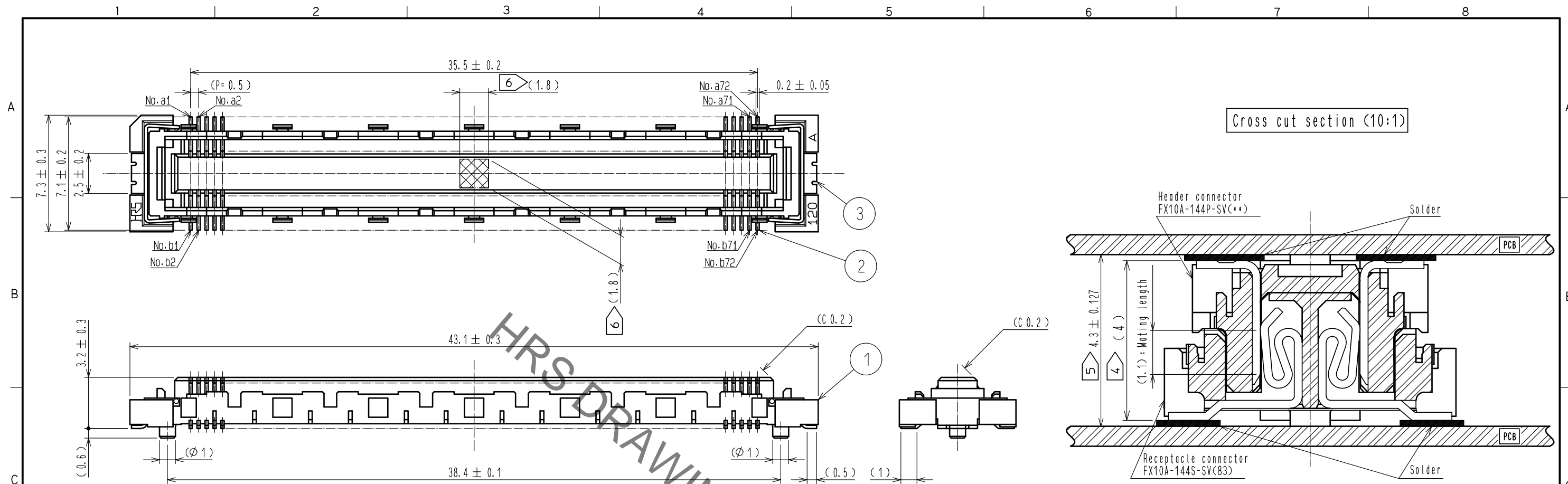
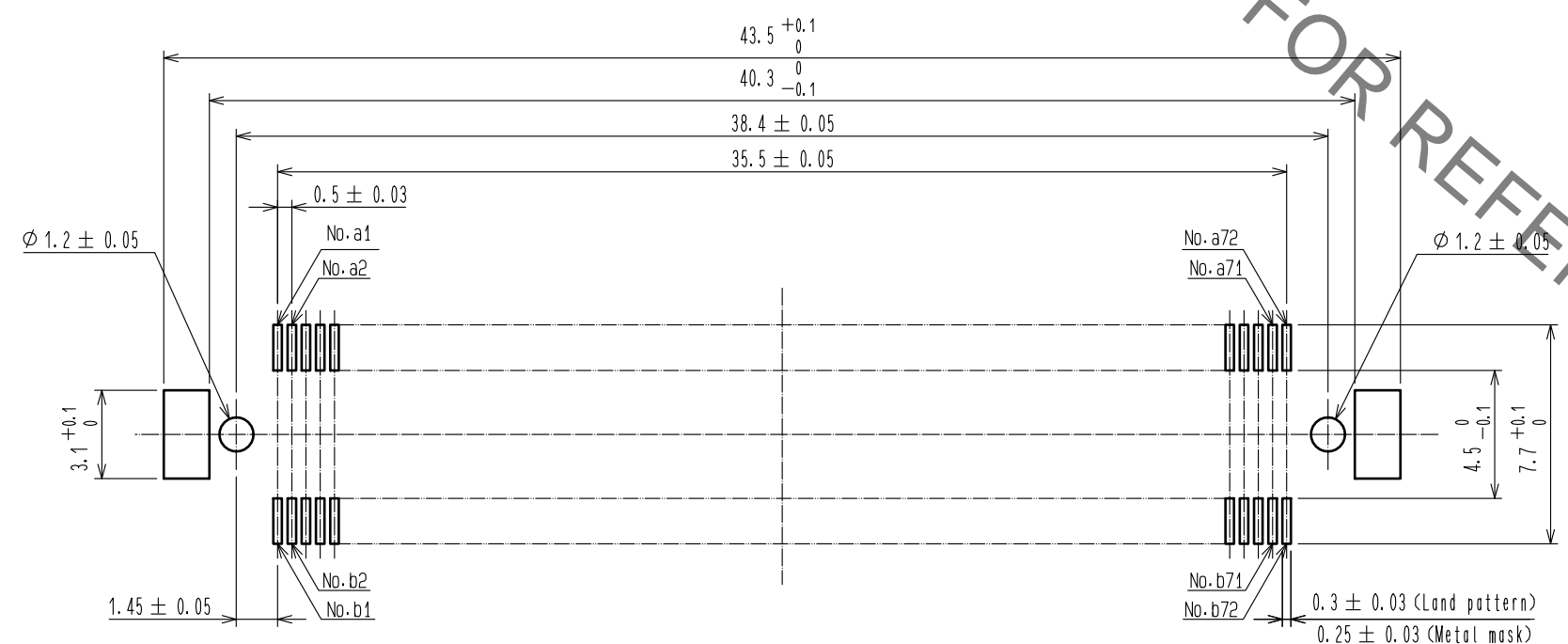


Apr.1.2023 Copyright 2023 HIROSE ELECTRIC CO., LTD. All Rights Reserved.
 In case of consideration for using Automotive equipment / device which demand high reliability, kindly contact our sales window correspondents.



Recommended land pattern dimension of PCB
 (Recommended metal mask thickness : 0.15mm)

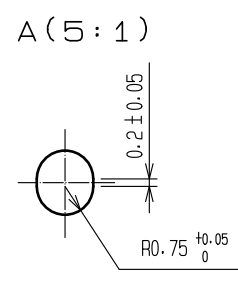
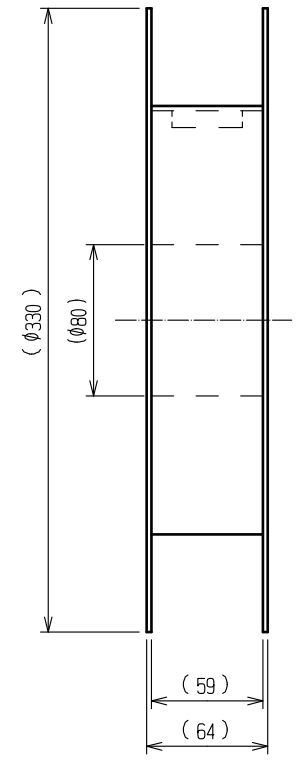
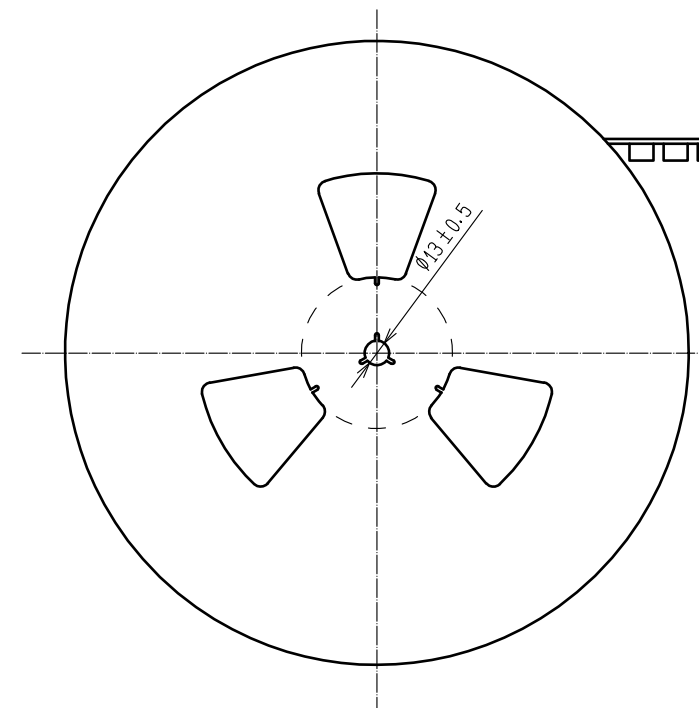
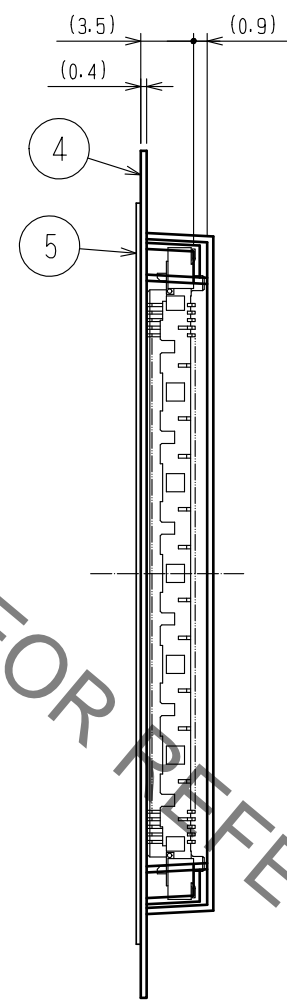
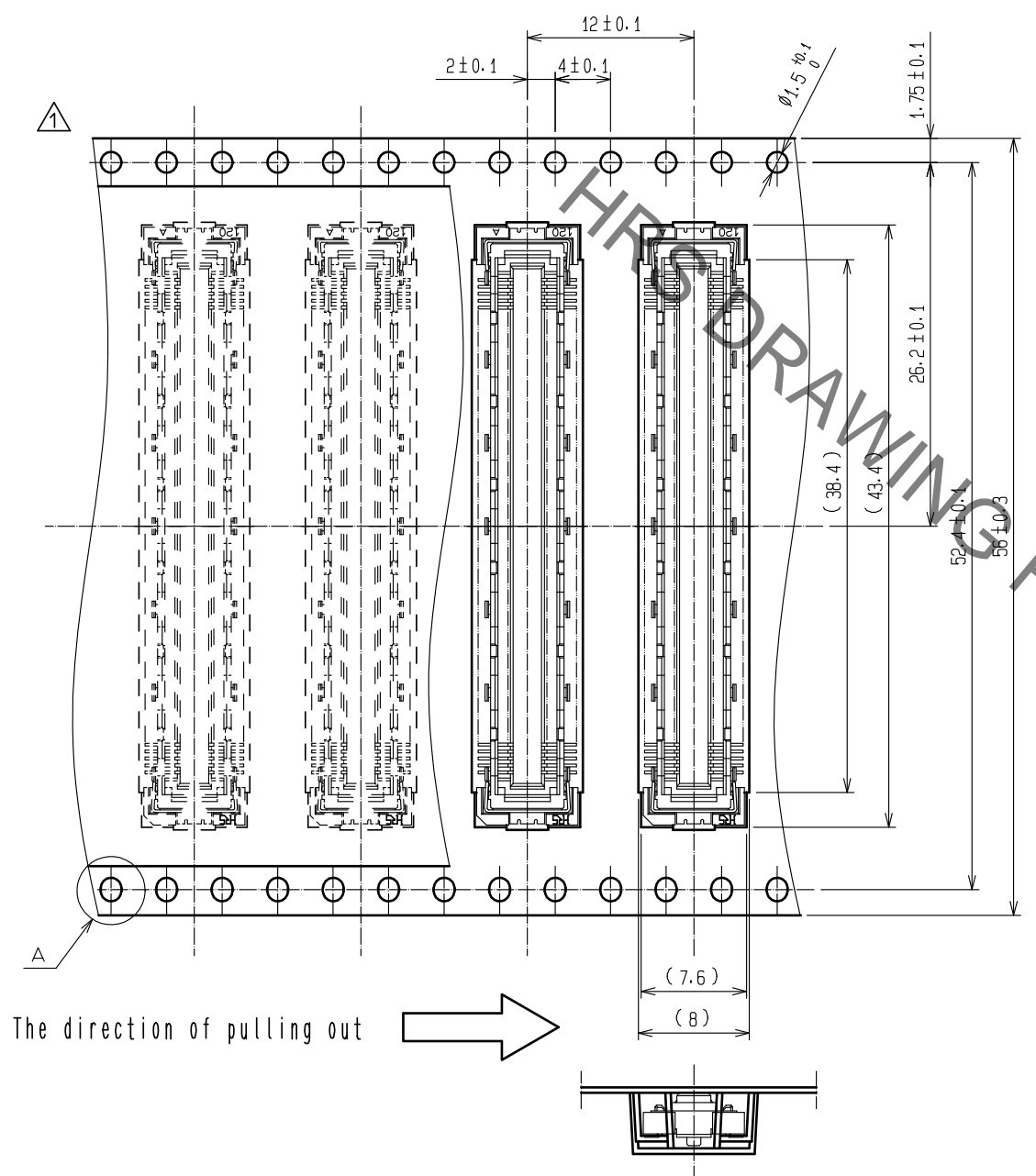


- Notes
- 1 SMT lead - coplanarity : 0.1 max.
 - 2 This product has no polarity to pattern for mounting.
 - 3 The dimensions in parentheses are for reference.
 - 4 Stacking height from lead to lead (reference dimensions).
 - 5 board distance.
 - 6 Area is vacuum pickup area for reference.
 - 7 Emboss carrier tape package is applied on this product. Please refer to the sheet 2/2 for the retails.

2	Phosphor blonze	Contact area : Gold 0.76µm min	5	Polyester	(Top cover tape)		
		Lead area : Gold 0.03µm min	4	Polyethylene	(Emboss carrier tape)		
		Under plating : Nickel 1.3µm min	3	Phosphor blonze	Surface area : Gold 0.03µm min		
Beige UL94V-0	Under plating : Nickel 1.3µm min						
1	LCP	Beige UL94V-0					
NO.	MATERIAL	FINISH . REMARKS	NO.	MATERIAL	FINISH . REMARKS		
UNITS		SCALE	COUNT	DESCRIPTION OF REVISIONS	DESIGNED	CHECKED	DATE
mm		4 : 1	1	DIS-F-00011032	MT. ITANO	HT. YAMAGUCHI	20211007
HRS HIROSE ELECTRIC CO., LTD.		APPROVED : HS. OKAWA	20130111	DRAWING NO.		EDC3-151986-23	
		CHECKED : HT. YAMAGUCHI	20130111	PART NO.		FX10A-144S-SV(83)	
		DESIGNED : YJ. ASAO	20130111	CODE NO.		CL0570-0243-4-83	
		DRAWN : YJ. ASAO	20130111			1/2	

Apr.1.2023 Copyright 2023 HIROSE ELECTRIC CO., LTD. All Rights Reserved.
 In case of consideration for using Automotive equipment / device which demand high reliability, kindly contact our sales window correspondents.

Drawing for packing (2:1)



- Notes 8 1 reel : 1,000 connectors.
 9 Minimum 10 compartments from both reel ends remain empty.
 10 This product has no polarity to tape and reel packaging.
 11 The dimensions in parentheses are for reference.

HRS	DRAWING NO.	EDC3-151986-23	
	PART NO.	FX10A-144S-SV(83)	
	CODE NO.	CL0570-0243-4-83	