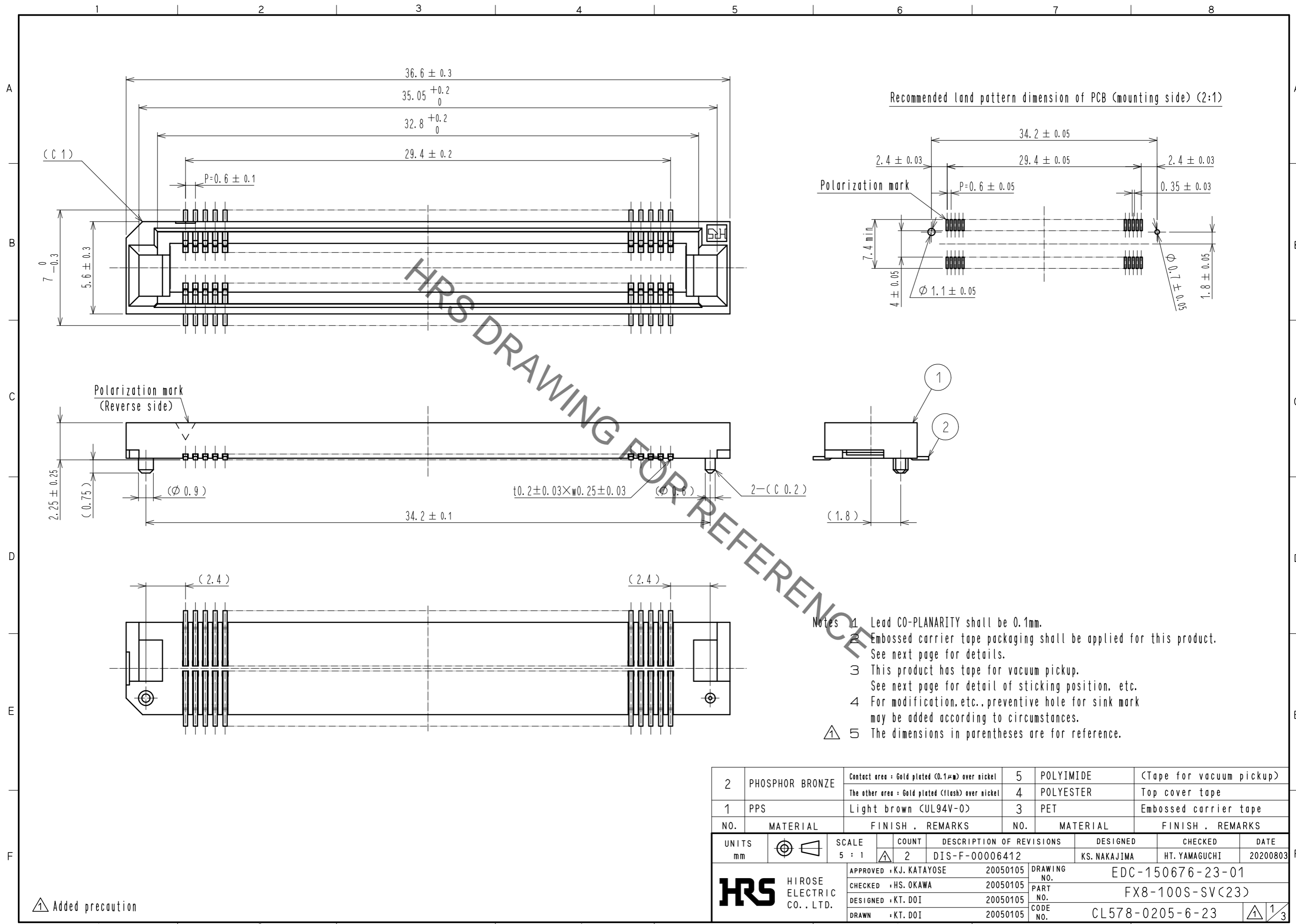


May.1.2023 Copyright 2023 HIROSE ELECTRIC CO., LTD. All Rights Reserved.
In case of consideration for using Automotive equipment / device which demand high reliability, kindly contact our sales window correspondents.

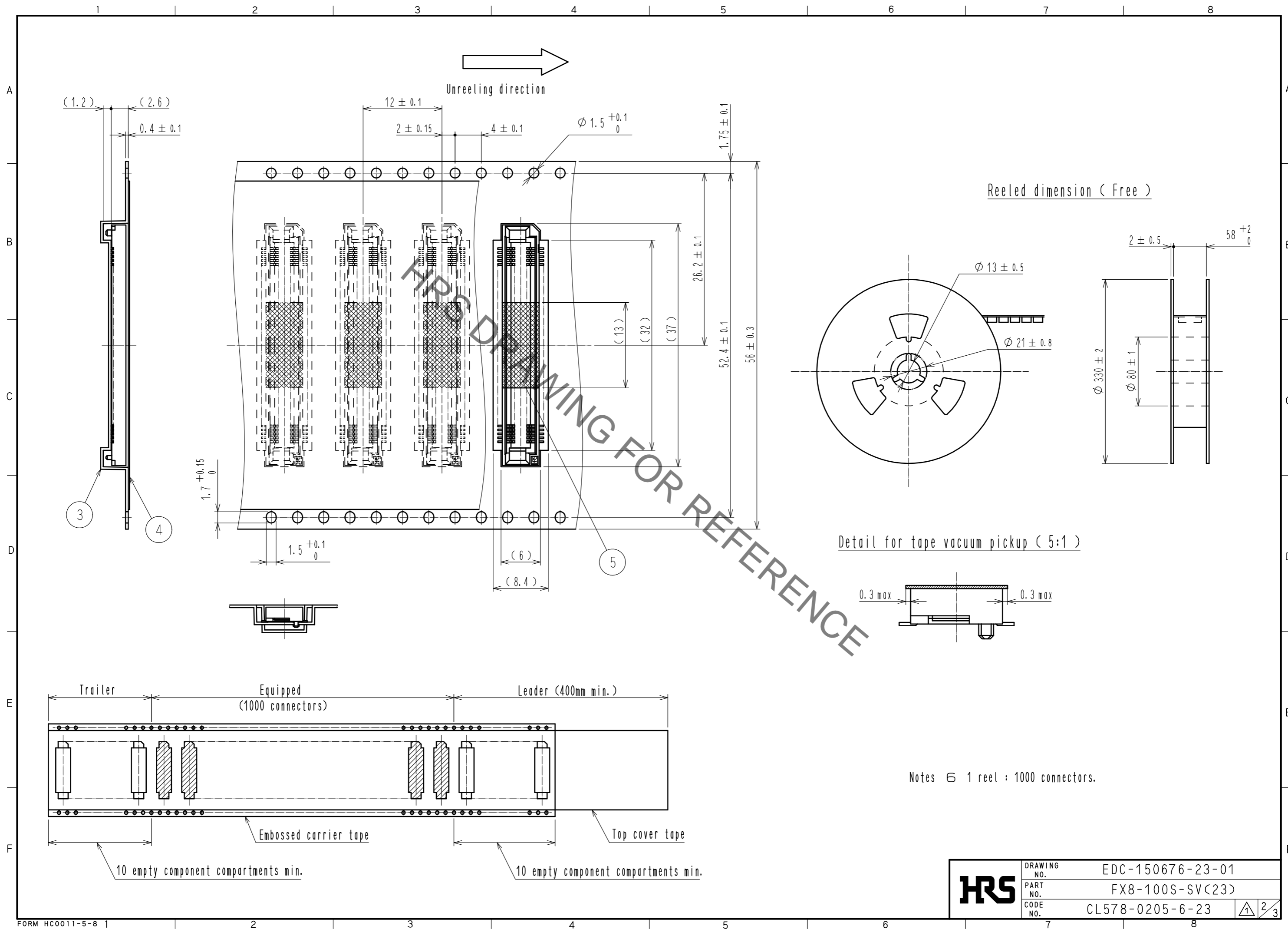


- Notes
- 1 Lead CO-PLANARITY shall be 0.1mm.
 - 2 Embossed carrier tape packaging shall be applied for this product. See next page for details.
 - 3 This product has tape for vacuum pickup. See next page for detail of sticking position, etc.
 - 4 For modification, etc., preventive hole for sink mark may be added according to circumstances.
 - 5 The dimensions in parentheses are for reference.

2	PHOSPHOR BRONZE	Contact area : Gold plated ($0.1\mu\text{m}$) over nickel	5	POLYIMIDE	(Tape for vacuum pickup)
		The other area : Gold plated (flush) over nickel	4	POLYESTER	Top cover tape
1	PPS	Light brown (UL94V-0)	3	PET	Embossed carrier tape
NO.	MATERIAL	FINISH . REMARKS	NO.	MATERIAL	FINISH . REMARKS
UNITS		SCALE	COUNT	DESCRIPTION OF REVISIONS	
mm		5 : 1	2	DIS-F-00006412	
		APPROVED : KJ. KATAYOSE	20050105	DESIGNED	KS. NAKAJIMA
HIROSE ELECTRIC CO., LTD.		CHECKED : HS. OKAWA	20050105	CHECKED	HT. YAMAGUCHI
		DESIGNED : KT. DOI	20050105	DATE	20200803
		DRAWN : KT. DOI	20050105	DRAWING NO.	EDC-150676-23-01
				PART NO.	FX8-100S-SV(23)
				CODE NO.	CL578-0205-6-23
					1/3

Added precaution

May.1.2023 Copyright 2023 HIROSE ELECTRIC CO., LTD. All Rights Reserved.
 In case of consideration for using Automotive equipment / device which demand high reliability, kindly contact our sales window correspondents.



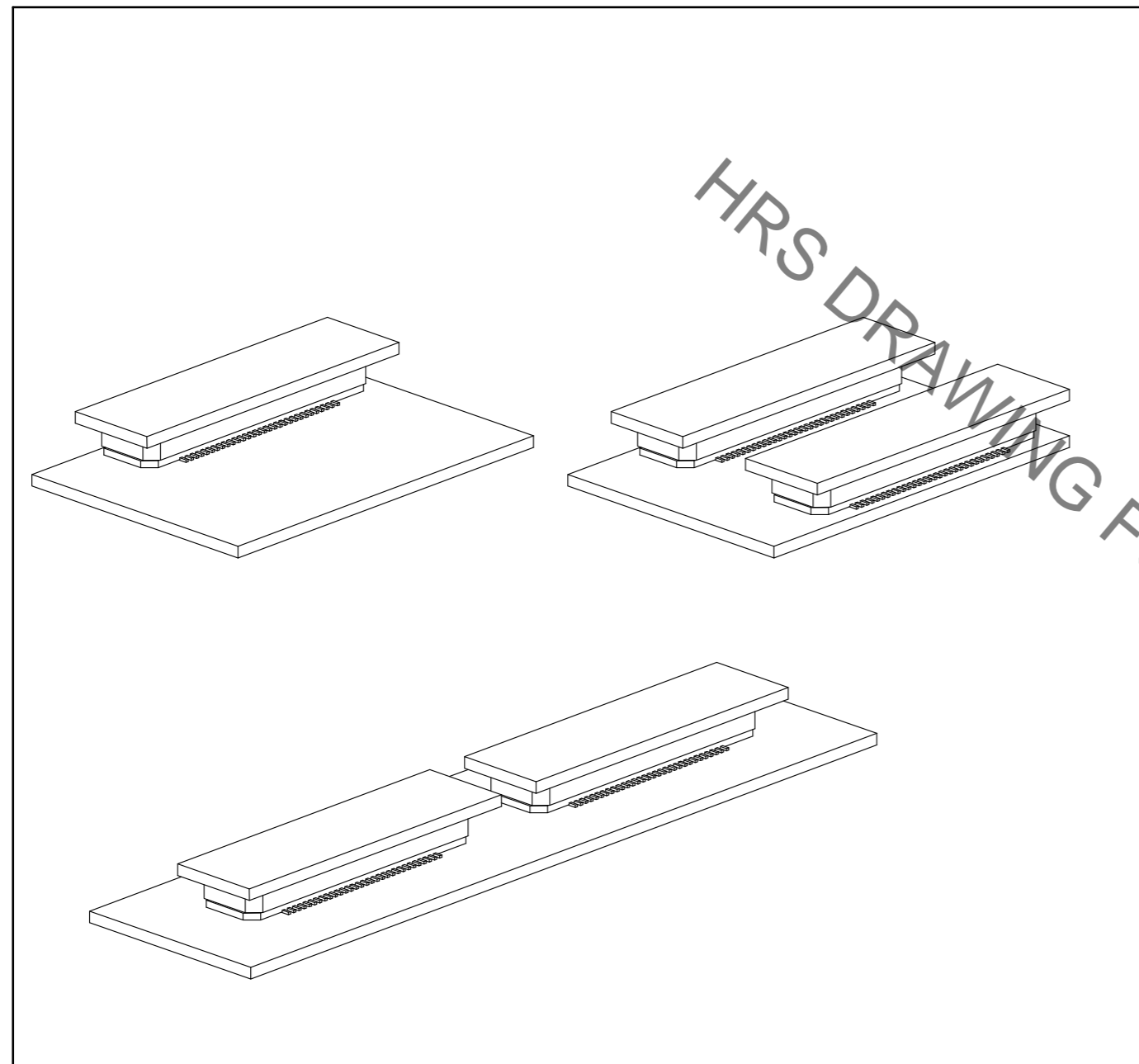
HRS	DRAWING NO.	EDC-150676-23-01	2/3
	PART NO.	FX8-100S-SV(23)	
	CODE NO.	CL578-0205-6-23	

May.1.2023 Copyright 2023 HIROSE ELECTRIC CO., LTD. All Rights Reserved.
In case of consideration for using Automotive equipment / device which demand high reliability, kindly contact our sales window correspondents.

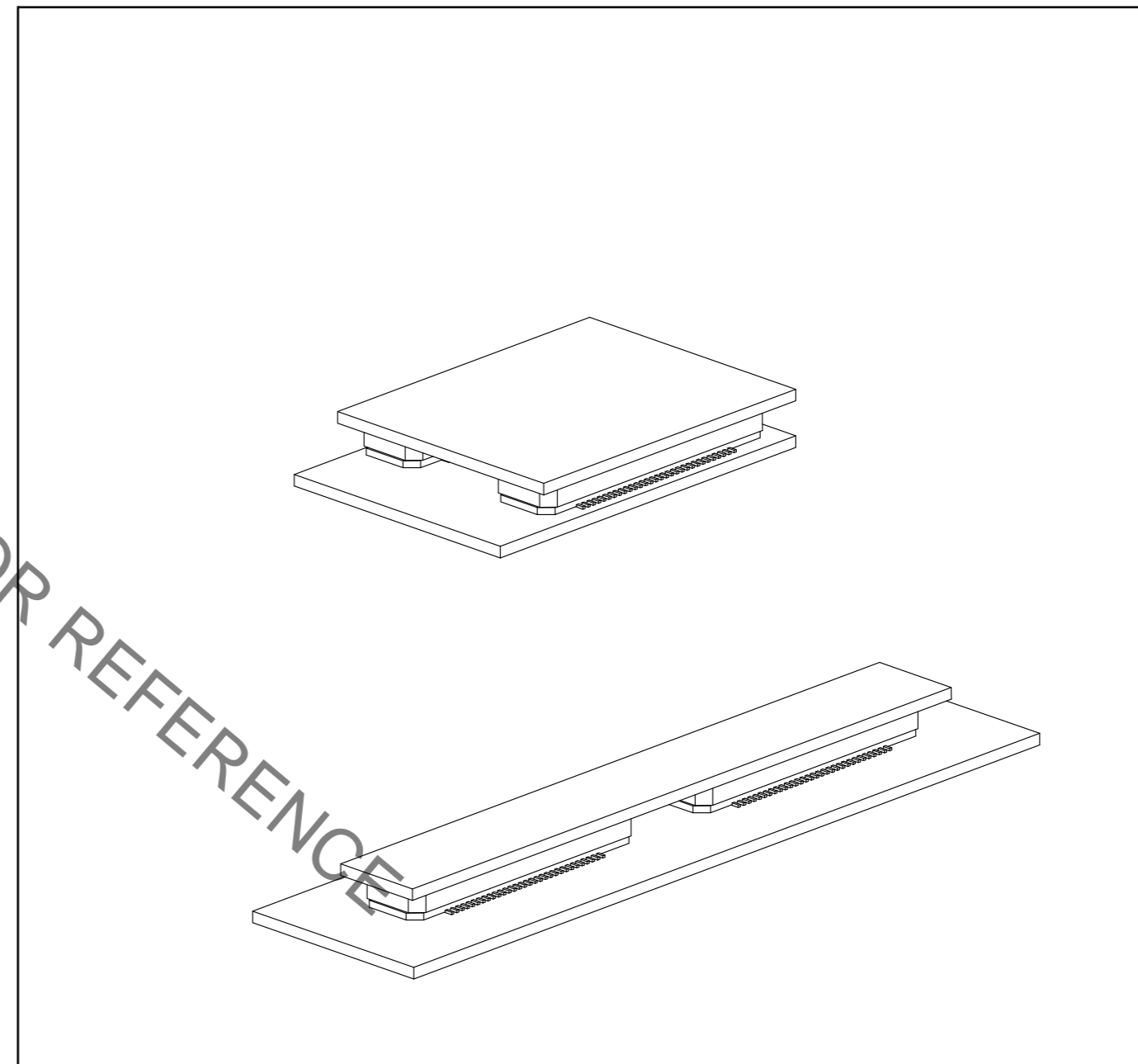
【 Precaution 】

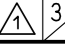
When a board with multiple connectors mounted is mated, the connector may be damaged or deformed.
Please divide one side of the board so only one connector is mated per board.

OK



NG



HRS	DRAWING NO.	EDC-150676-23-01
	PART NO.	FX8-100S-SV(23)
	CODE NO.	CL578-0205-6-23
		 3/3