

6

5

4

3

2

1

D

D

C

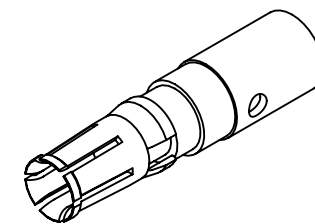
C

B

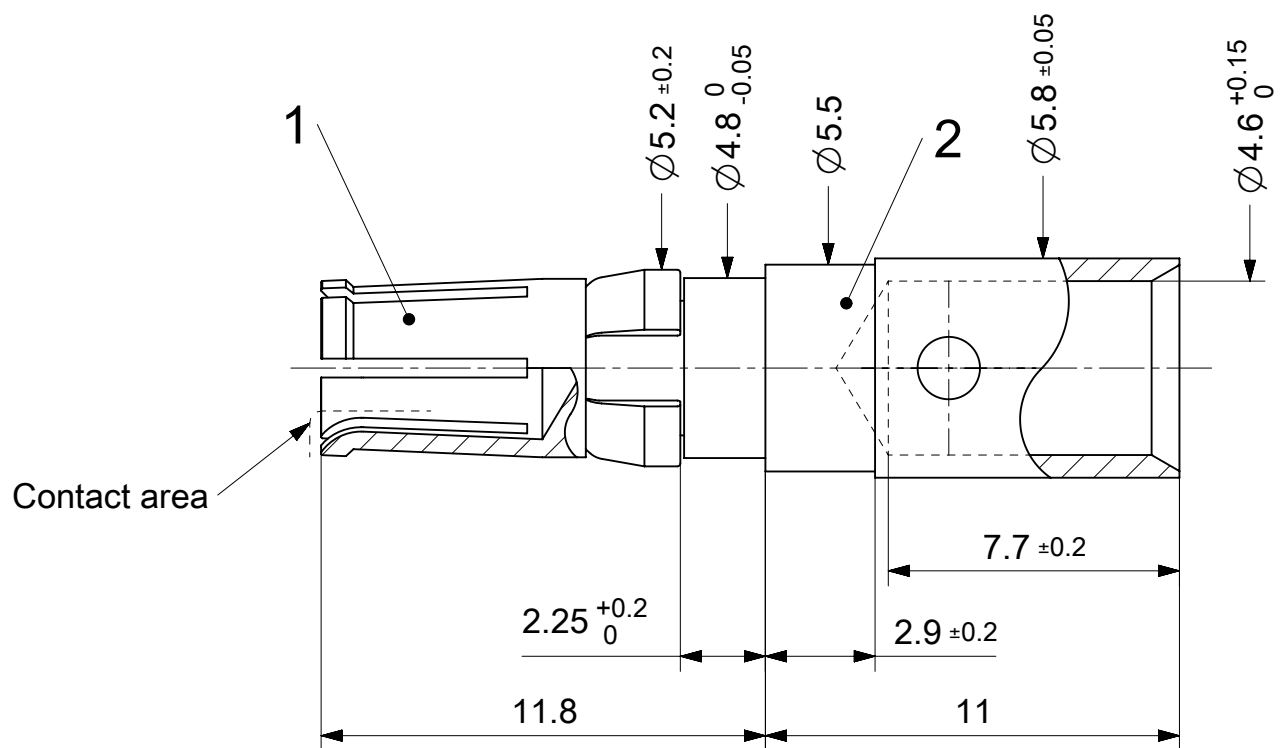
B

A

A



2:1



RoHS compliant  
by exemption

Crimping tools see document 2195600660

1727040153	FMP004S103	103
1731120384	FMP004S106	106
1731120037	FMP004S204	204
2186230003	FMP004S306	306 (Lead free)
Material Number	FCT Part Number	Material + Finish See extra sheet

UNLESS OTHERWISE SPECIFIED DIMENSIONS FOR REFERENCE ONLY

REPLACEMENT FOR DOCUMENT NUMBER: FMP004S

FUNCTIONAL SYMBOLS $\nabla_A = 0$ $\nabla_E = 0$ $\nabla_P = 0$ DIVISIONAL SYMBOLS	THIS DRAWING CONTAINS INFORMATION THAT IS PROPRIETARY TO MOLEX ELECTRONIC TECHNOLOGIES, LLC AND SHOULD NOT BE USED WITHOUT WRITTEN PERMISSION	CURRENT REV DESC: A24297		<p>FCT 40A HIGH POWER CONTACT FOR D-SUB</p> <p>PRODUCT CUSTOMER DRAWING</p>			
	DIMENSION UNITS: mm	SCALE: 5:1	EC NO: 686737				
	GENERAL TOLERANCES (UNLESS SPECIFIED)		DRWN: SKANDB 2021/10/28				
	ANGULAR TOL ± °		CHK'D: MTEUBEL 2021/11/29				
4 PLACES ±		APPR: MTEUBEL 2021/11/29		INITIAL REVISION:			
3 PLACES ±		DRWN: VLOKESHA 2021/03/30		DOCUMENT NUMBER	DOC TYPE		
2 PLACES ±		APPR: MTEUBEL 2021/05/11		1727040153	PSD		
1 PLACE ±		DRAFT WHERE APPLICABLE MUST REMAIN WITHIN DIMENSIONS		CUSTOMER	REVISION		
0 PLACES ±		FIRST ANGLE PROJECTION	DRAWING	GENERAL MARKET	000		
			A4-SIZE	SHEET NUMBER	B		
			SERIES	172704			

DOCUMENT STATUS	P1	RELEASE DATE	2021/11/29	13:31:30
-----------------	----	--------------	------------	----------

6

5

4

3

2

1

FORMAT: master-ib-prod-A4  
REVISION: J  
DATE: 2020/01/14