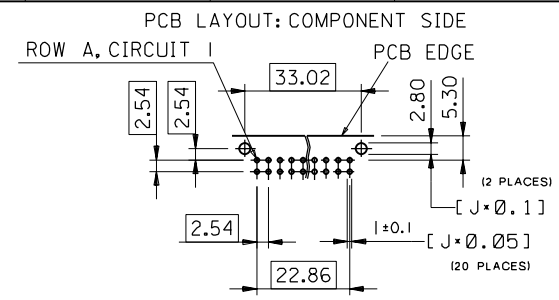
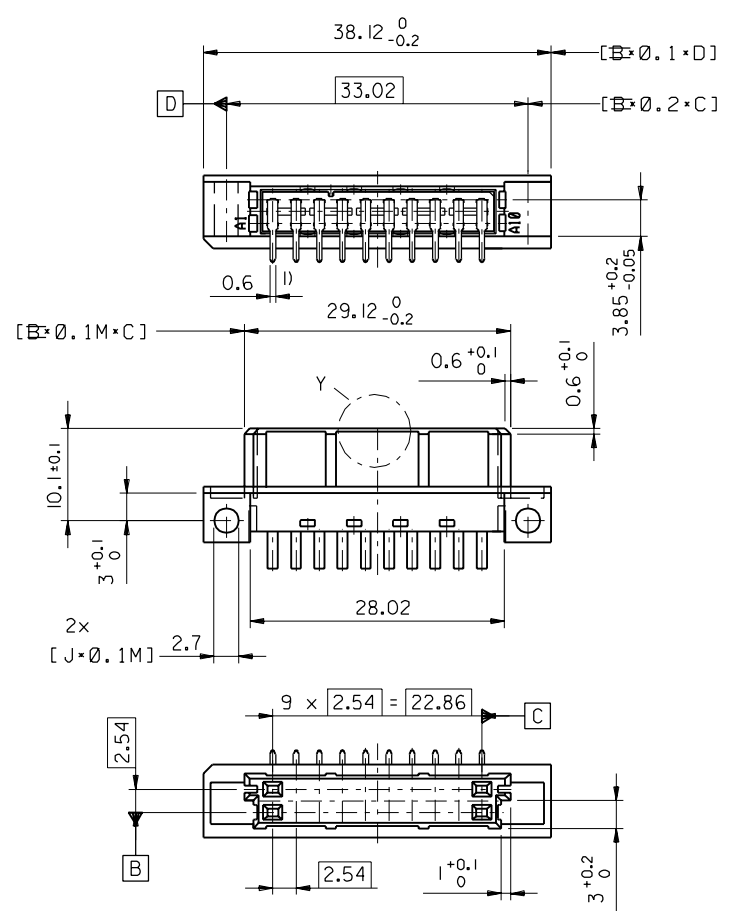
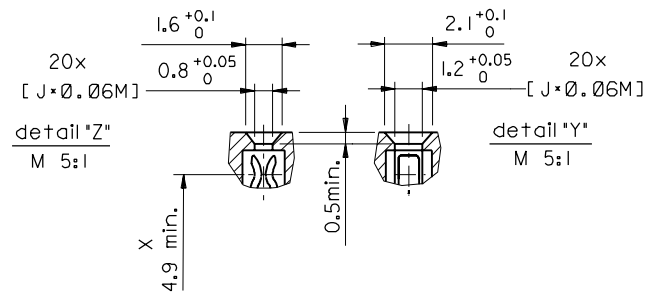
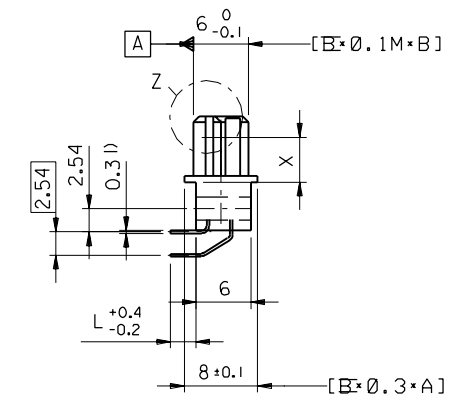


PART NO.
DWG. NO.



1) tails to fit in PC-board layout



ECN MG1998-2586 L +0.4-0.2, Lockbild 97-09-17 KN	REVISIONS FOR PREVIOUS REVISIONS SEE MRI LIST	UNLESS OTHERWISE SPECIFIED TOLERANCES: ANGULAR $\pm 2^\circ$	DRWG BY KN	SIGN	CAECAM PROJECT NAME 85050000 s31	THIS DRAWING CONTAINS INFORMATION THAT IS PROPRIETARY TO MOLEX INC. & SHOULD NOT BE USED WITHOUT WRITTEN PERMISSION	SH.	REV.
		INCH METRIC	CHK'D BY Ca	SIGN	TITLE 20 pos. female connector DIN 41612 style Q/3 Dimensions			
BI	LTR	3 PLACE \pm	APP'D BY JB	SIGN	MOLEX EUROPE SHEET NO. DATE 1 OF 1 96/04/25			
		DRAFT WHERE APPLICABLE MUST REMAIN WITHIN DIMENSIONS	SCALE 2:1	PART NO. DWG NO. SIZE SDA-85050-0003 B				
		DESIGN DIMENSION <input checked="" type="checkbox"/> MM						
		EQUIVALENT DIMENSION <input type="checkbox"/> MM						
		IF TWO DIMENSIONS ARE SHOWN THE UPPER IS THE DESIGN DIMENSION, LOWER IS SECONDARY						

