

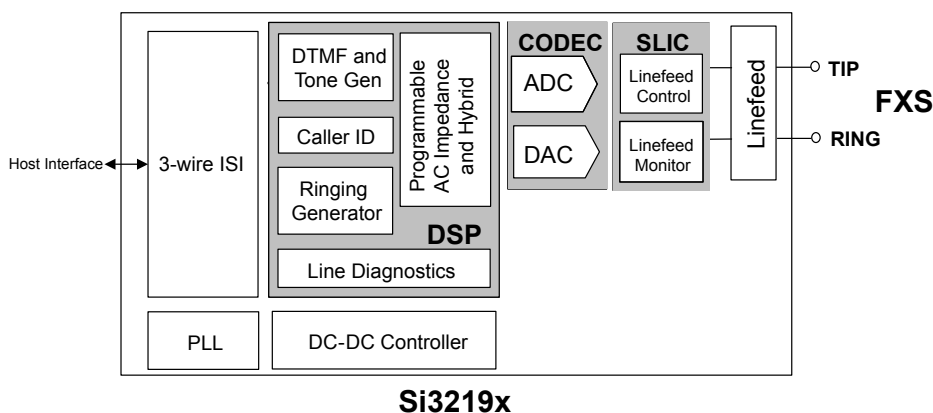
# Si3219x Data Short

## ProSLIC<sup>®</sup> Single-Channel FXS Solutions

The Si3219x Single FXS ProSLIC<sup>®</sup> devices implement a complete foreign exchange station (FXS) telephony interface solution in a single package that conforms to all relevant global specifications. The Si3219x ProSLIC ICs operate from a 3.3 V supply and have a 3-wire ISI digital interface with 1.8 to 3.3 V I/O. The Si3219x devices are designed to operate with a capacitive boost tracking battery supply for lower power, cost, and footprint than other tracking supplies in the industry. Self-testing and metallic loop testing (MLT) are facilitated by the built-in DSP, monitor ADC, and test load. The devices are available with wideband audio for better-than-PSTN voice quality and DTMF detection. The Si3219x devices are available in a 4 x 6 mm, 38-pin QFN package.

### Applications:

- VoIP Gateways and Routers
- xDSL IADs
- Optical Network Terminals/Units (ONT/U)
- Analog Terminal Adapters (ATA)
- Cable eMTA
- Wireless Fixed Terminals (WFT)
- Wireless Local Loop (WLL)
- WiMAX CPE



### KEY FEATURES

- Complete FXS solution in a single 4 x 6 mm package
- Performs all BORSCHT functions
- Ideal for short- or medium-loop applications
- Ultra-low power consumption
- Patented low-power ringing
- Adaptive ringing
- Dynamic overhead control
- Ringing current limiting
- Simplified configuration and diagnostics
  - Supported by ProSLIC API
  - Audio diagnostics with loopback
  - Integrated test load
- Global programmability
- Wideband voice support
- On-hook transmission
- Loop or ground start operation
- Smooth polarity reversal
- A-Law/ $\mu$ -Law companding, linear PCM
- Flexible integrated tracking dc-dc controller supporting patent-pending low-cost capacitive boost configuration
- Software-programmable parameters:
  - Ringing frequency, amplitude, cadence, and waveshape
  - Two-wire ac impedance
  - Transhybrid balance
  - DC current loop feed (10–45 mA)
  - Loop closure and ring trip thresholds
  - Ground key detect threshold
- Pulse metering
- DTMF generation
- DTMF detection (Si32193)
- 3.3 V operation
- Support for 1.8 V I/O
- Maximum battery up to –100 V
- Pb-free/RoHS-compliant packaging
- 3-wire Integrated Serial Interface (ISI)

## 1. Ordering Guide

**Table 1.1. Si3219x Ordering Guide**

P/N	Description	Package Type <sup>2</sup>	Max V <sub>BAT</sub>	Temperature
Si32192-A-FM1	Wideband FXS, ISI interface, parametric MLT	QFN38	-100 V	0 to 70 °C
Si32192-A-GM1	Wideband FXS, ISI interface, parametric MLT	QFN38	-100 V	-40 to 85 °C
Si32193-A-FM1	Wideband FXS, ISI interface, parametric MLT, DTMF detection	QFN38	-100 V	0 to 70 °C
Si32193-A-GM1	Wideband FXS, ISI interface, parametric MLT, DTMF detection	QFN38	-100 V	-40 to 85 °C
Si32192-A-ZM1	Wideband FXS, ISI interface, parametric MLT, customer-specific	QFN38	-100 V	0 to 70 °C
Si32192-A-ZM2	Wideband FXS, ISI interface, parametric MLT, customer-specific	QFN38	-100 V	0 to 70 °C
Si32193-A-ZM1	Wideband FXS, ISI interface, parametric MLT, DTMF detection, customer-specific	QFN38	-100 V	0 to 70 °C
Si32193-A-ZM2	Wideband FXS, ISI interface, parametric MLT, DTMF detection, customer-specific	QFN38	-100 V	0 to 70 °C

**Note:**

1. Adding the suffix "R" to the part number (e.g. Si3219x-A-FMR) denotes tape and reel.
2. QFN - Quad-Flat No-leads.

**Table 1.2. Ordering GuideSi3219x Evaluation Kits**

Part Number	Description	V <sub>BAT</sub> Max <sup>1</sup>
Si32193ACB10SL0EVB	ISI Wideband FXS with DTMF detection and low-cost capacitive boost dc-dc converter EVB	-100 V

**Note:**

1. EVB V<sub>BAT</sub> max may be limited by BOM option.



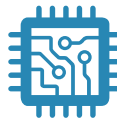
# SKYWORKS®

**Connecting Everyone  
and Everything,  
All the Time**



**Portfolio**

[www.skyworksinc.com](http://www.skyworksinc.com)



**Quality**

[www.skyworksinc.com/quality](http://www.skyworksinc.com/quality)



**Support & Resources**

[www.skyworksinc.com/support](http://www.skyworksinc.com/support)

**Copyright © 2021 Skyworks Solutions, Inc. All Rights Reserved.**

Information in this document is provided in connection with Skyworks Solutions, Inc. ("Skyworks") products or services. These materials, including the information contained herein, are provided by Skyworks as a service to its customers and may be used for informational purposes only by the customer. Skyworks assumes no responsibility for errors or omissions in these materials or the information contained herein. Skyworks may change its documentation, products, services, specifications or product descriptions at any time, without notice. Skyworks makes no commitment to update the materials or information and shall have no responsibility whatsoever for conflicts, incompatibilities, or other difficulties arising from any future changes.

No license, whether express, implied, by estoppel or otherwise, is granted to any intellectual property rights by this document. Skyworks assumes no liability for any materials, products or information provided hereunder, including the sale, distribution, reproduction or use of Skyworks products, information or materials, except as may be provided in Skyworks' Terms and Conditions of Sale.

THE MATERIALS, PRODUCTS AND INFORMATION ARE PROVIDED "AS IS" WITHOUT WARRANTY OF ANY KIND, WHETHER EXPRESS, IMPLIED, STATUTORY, OR OTHERWISE, INCLUDING FITNESS FOR A PARTICULAR PURPOSE OR USE, MERCHANTABILITY, PERFORMANCE, QUALITY OR NON-INFRINGEMENT OF ANY INTELLECTUAL PROPERTY RIGHT; ALL SUCH WARRANTIES ARE HEREBY EXPRESSLY DISCLAIMED. SKYWORKS DOES NOT WARRANT THE ACCURACY OR COMPLETENESS OF THE INFORMATION, TEXT, GRAPHICS OR OTHER ITEMS CONTAINED WITHIN THESE MATERIALS. SKYWORKS SHALL NOT BE LIABLE FOR ANY DAMAGES, INCLUDING BUT NOT LIMITED TO ANY SPECIAL, INDIRECT, INCIDENTAL, STATUTORY, OR CONSEQUENTIAL DAMAGES, INCLUDING WITHOUT LIMITATION, LOST REVENUES OR LOST PROFITS THAT MAY RESULT FROM THE USE OF THE MATERIALS OR INFORMATION, WHETHER OR NOT THE RECIPIENT OF MATERIALS HAS BEEN ADVISED OF THE POSSIBILITY OF SUCH DAMAGE.

Skyworks products are not intended for use in medical, lifesaving or life-sustaining applications, or other equipment in which the failure of the Skyworks products could lead to personal injury, death, physical or environmental damage. Skyworks customers using or selling Skyworks products for use in such applications do so at their own risk and agree to fully indemnify Skyworks for any damages resulting from such improper use or sale.

Customers are responsible for their products and applications using Skyworks products, which may deviate from published specifications as a result of design defects, errors, or operation of products outside of published parameters or design specifications. Customers should include design and operating safeguards to minimize these and other risks. Skyworks assumes no liability for applications assistance, customer product design, or damage to any equipment resulting from the use of Skyworks products outside of Skyworks' published specifications or parameters.

Skyworks, the Skyworks symbol, Sky5®, SkyOne®, SkyBlue™, Skyworks Green™, Clockbuilder®, DSPLL®, ISOModem®, ProSLIC®, and SiPHY® are trademarks or registered trademarks of Skyworks Solutions, Inc. or its subsidiaries in the United States and other countries. Third-party brands and names are for identification purposes only and are the property of their respective owners. Additional information, including relevant terms and conditions, posted at [www.skyworksinc.com](http://www.skyworksinc.com), are incorporated by reference.