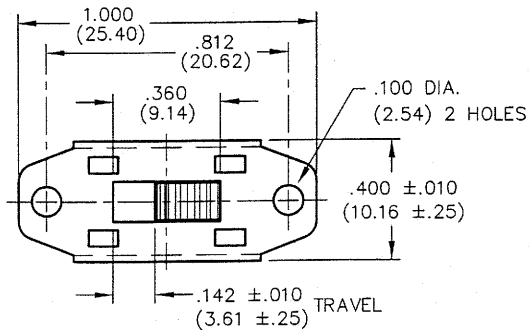


DIMENSIONS IN INCHES (MILLIMETERS)  
DO NOT SCALE DRAWING .....

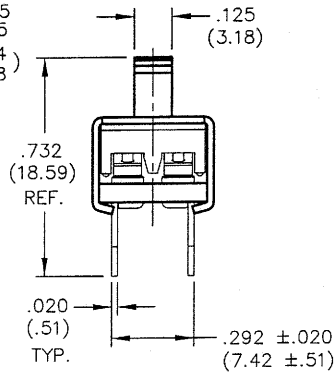
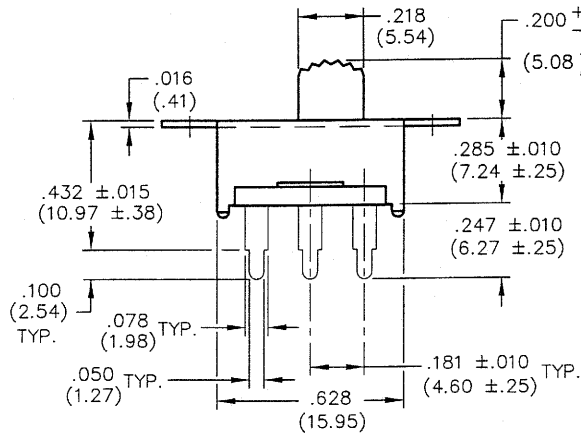
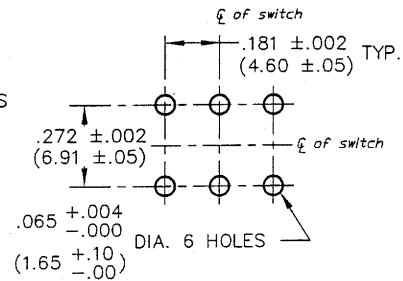
Dwg. No.

GF-126-0193

E  
D  
C  
B  
A



P.C. LAYOUT



1 2 3 4 5 6 7 8 9 10

B-FORMAT 2002  
REVISIONS  
0  
RELEASED: DGW 01-02-2006  
JAN 17 2006

**CW INDUSTRIES**  
Southampton, Pa. 18966  
TOLERANCES UNLESS OTHERWISE SPECIFIED  
2 Place Decimal ±.010 METRIC  
3 Place Decimal ±.005 1 Place Dec. ±.25mm  
Angles ..... ±1' 2 Place Dec. ±.13mm  
Made for: CW IND.  
Drawn by: DGW 01-02-2006  
Checked by: G. Guld 1-17-06  
Approval: [Signature] 1-17-06

Title:  
**SWIDGET ASSEMBLY**  
Division: SWITCH  
Dwg. No. GF-126-0193

PDF FILE MADE